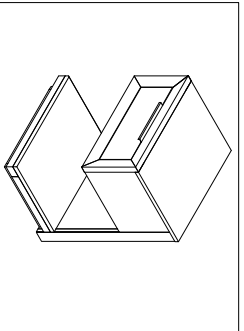




## LIVING SPACES

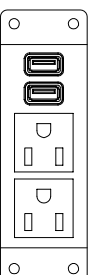
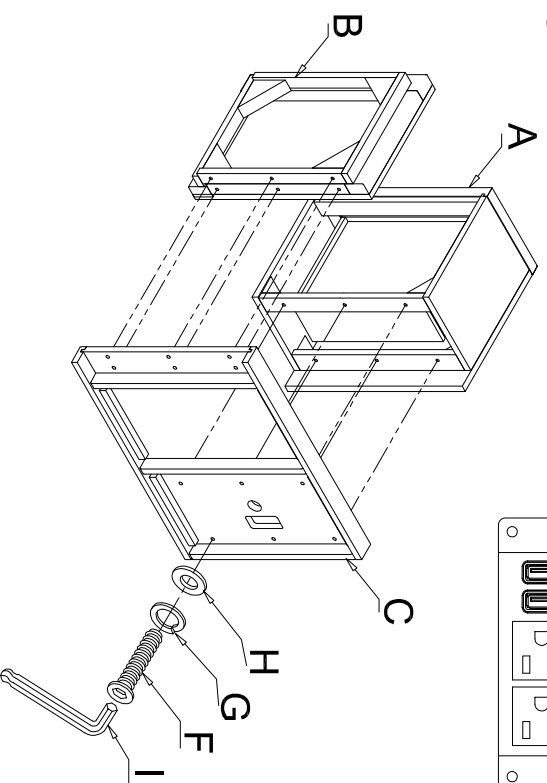
<b>A</b>	1005		x 1
<b>B</b>	2619		x 1
<b>C</b>	5812		x 1
<b>D</b>	7602		x 1
<b>E</b>	7002 Parts F - 1		x 1
<b>F</b>	1/4-20 x 1-3/8" Long Allen Head Bolt		x 12
<b>G</b>	M 1/4" Spring Washer		x 12
<b>H</b>	M1/4" x 16 x 2mm Flat Washer		x 12
<b>I</b>	4mm Allen Wrench		x 1



#22499  
Pierce Bedroom  
1-Drawer Nightstand



1



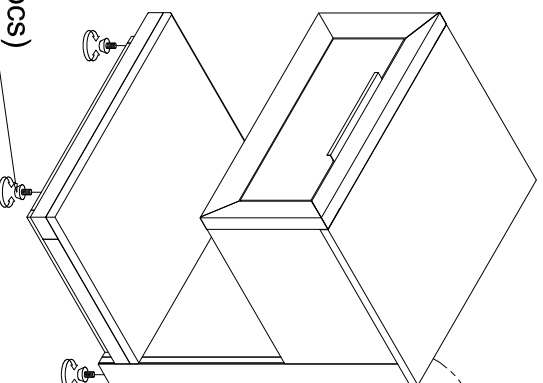
There is a two-outlet power bar with USB ports mounted at the back, which can be used to conveniently supply power to personal electronic devices or other accessories, when plugged into a wall outlet.

**Step 1.** To prevent possible scratches and damage, this furniture must be assembled on a soft surface such as a blanket or carpet, or its own packing material. Place the Top Frame (A) on its side and attach the Back Frame (C) and Bottom Frame (B) using the Bolts (F), Spring Washers (G) and Flat Washers (H).

**Step 2.** Check and adjust parts fit, if necessary and tighten Bolts using the Allen Wrench (I).

**Step 3.** Set the assembled Nightstand upright.

2



Furniture Tipping Restraint Kit  
inside bag (D)



Adjustable leveler (4pcs)