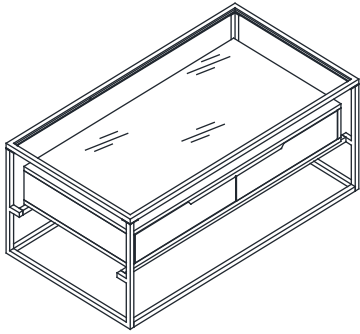


Progressive[®] furniture ASSEMBLY INSTRUCTION

Item No: T136-01
Description: COCKTAIL TABLE


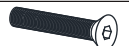



IMPORTANT NOTE:

- Place all wooden parts on a clean and smooth surface such as a rug or carpet to avoid the parts from being scratched.
- Check to be sure that you have all parts and hardware.
- Remove all wrapping materials, including staples & packing straps before you start to assemble.
- Do not tighten all screws/bolts until all completely assembled.
- Keep all hardware parts out of reach of children.

End Table

PARTS LIST		
NO.	COMPONENT	QTY.
1	Glass Top	1PC
2	Top Frame	1PC
3	Drawer Box	1PC
4	Drawer Box Support	2PCS
5	Leg Frame	2PCS
6	Connector	2PCS

HARDWARE LIST			
NO.		DESCRIPTION	QTY
A		Bolt Ø1/4" * 15 mm	16 PCS
B		Bolt Ø1/4" * 35 mm	6 PCS
C		Allen wrench M4	1 PC

