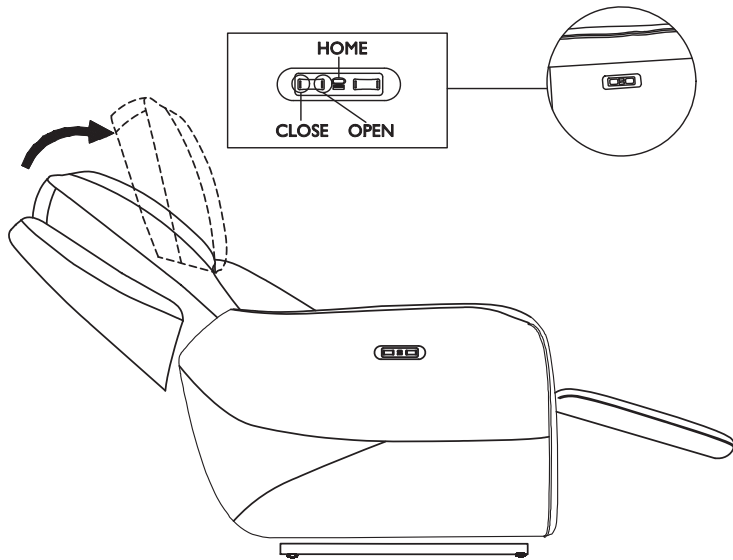
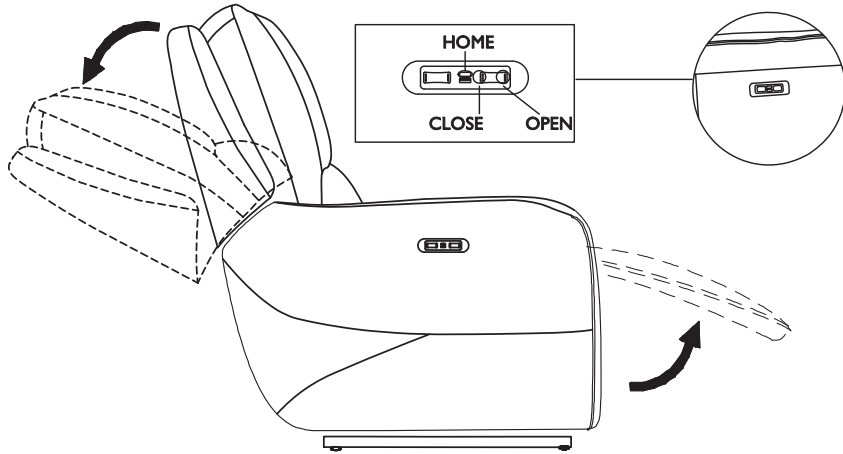
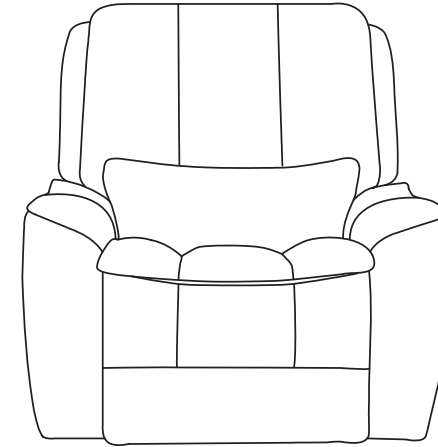


OPERATING INSTRUCTION

The "HOME" button allows you to go back to zero position.

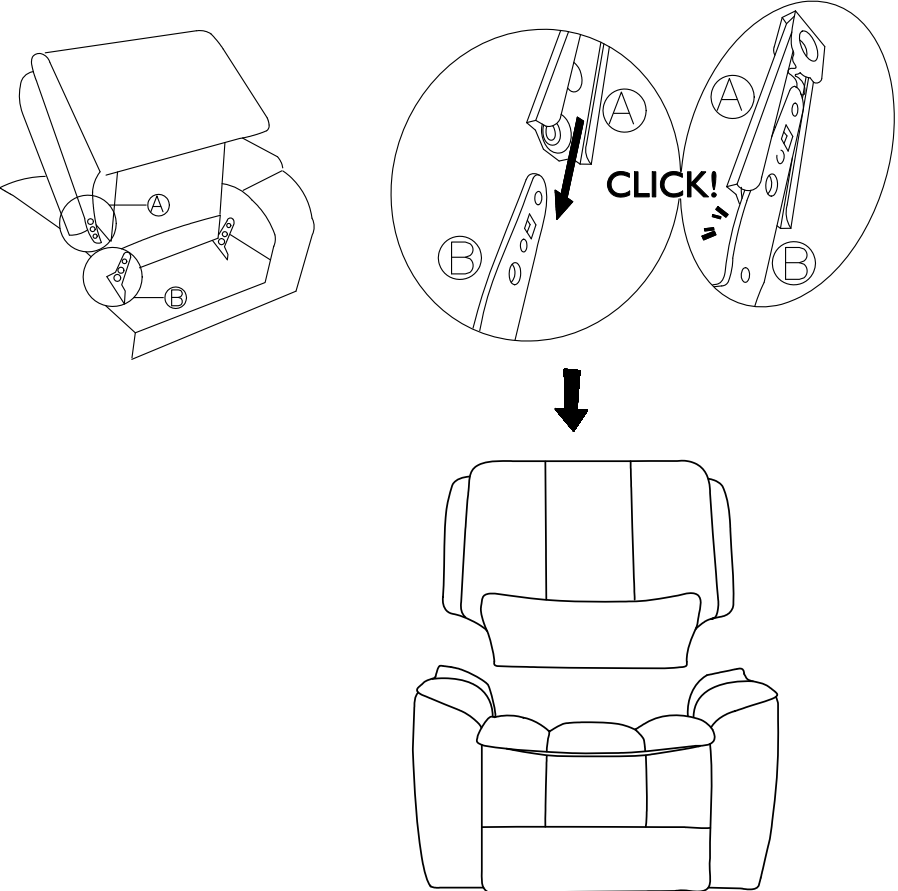


ASSEMBLY INSTRUCTION



- Before you begin the assembly of your new furniture, please insure that all the parts are present.
- Follow instructions closely as deviation may void your warranty and create a potential safety risk.
- It is recommended that assembly is done on a soft surface to avoid damage.

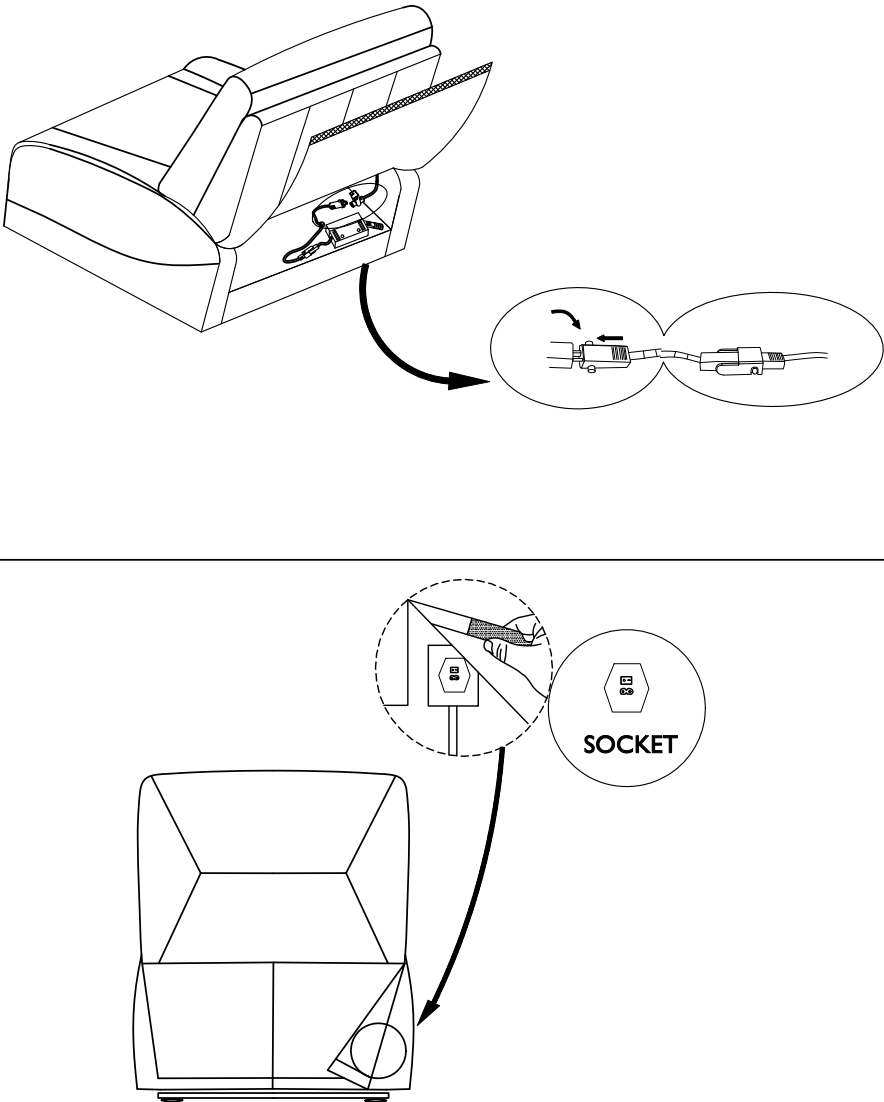
ASSEMBLY INSTRUCTION



The diagram illustrates the assembly of the seat back to the seat cushion. It starts with a perspective view of the seat back and cushion. Two circular callouts show the alignment of metal parts: callout (A) shows the metal groove on the seat back, and callout (B) shows the bracket on the seat cushion. An arrow points from callout (A) to callout (B) with the text "CLICK!". Below this, a top-down view of the assembled seat is shown.

1. Attach seat back to seat cushion by aligning metal groove on seat back to bracket on seat cushion
2. Note: Press seat back in until you hear a "click" to make sure it is locked into position.

OPERATING INSTRUCTION



The diagram shows the operating instructions for the device. It starts with a perspective view of the device with its power cord. A circular callout shows a close-up of the power cord being inserted into a wall outlet. A separate circular callout shows the power cord with the text "SOCKET" below it. Below this, a top-down view of the device is shown with an arrow pointing to the power cord connection point.