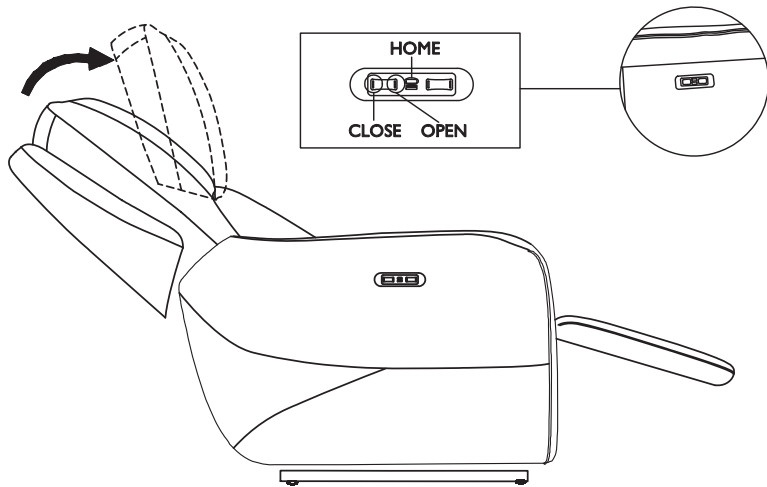
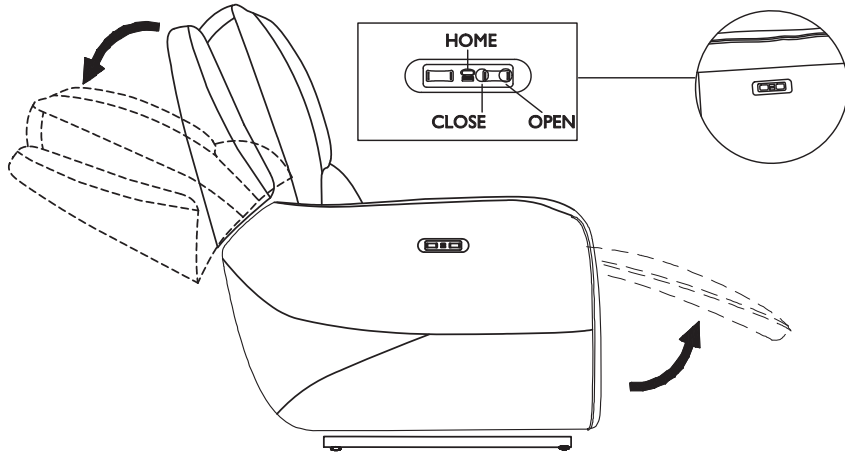
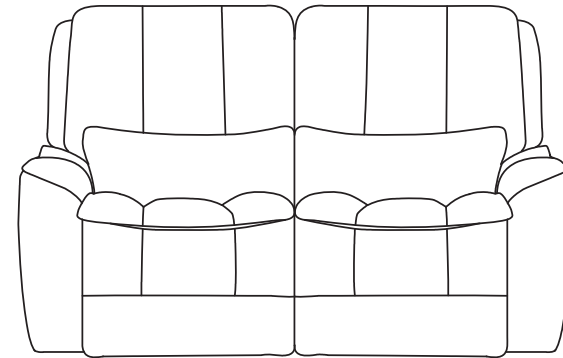


OPERATING INSTRUCTION

The "HOME" button allows you to go back to zero position.

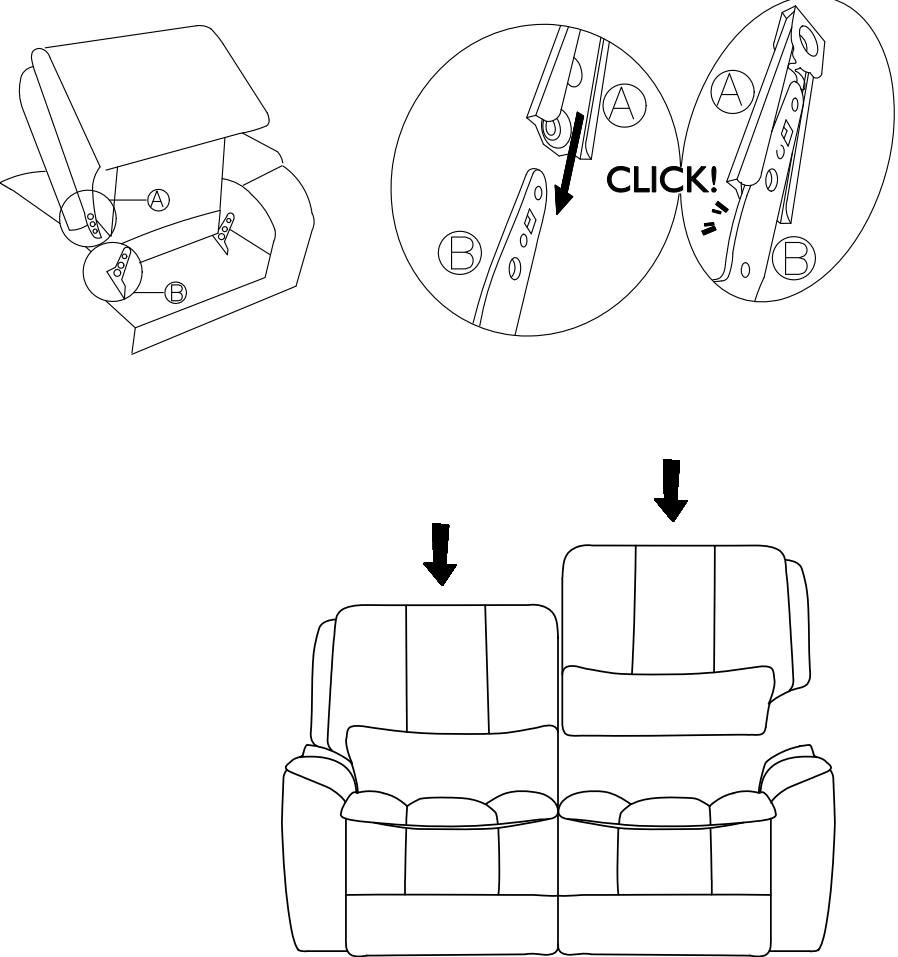


ASSEMBLY INSTRUCTION



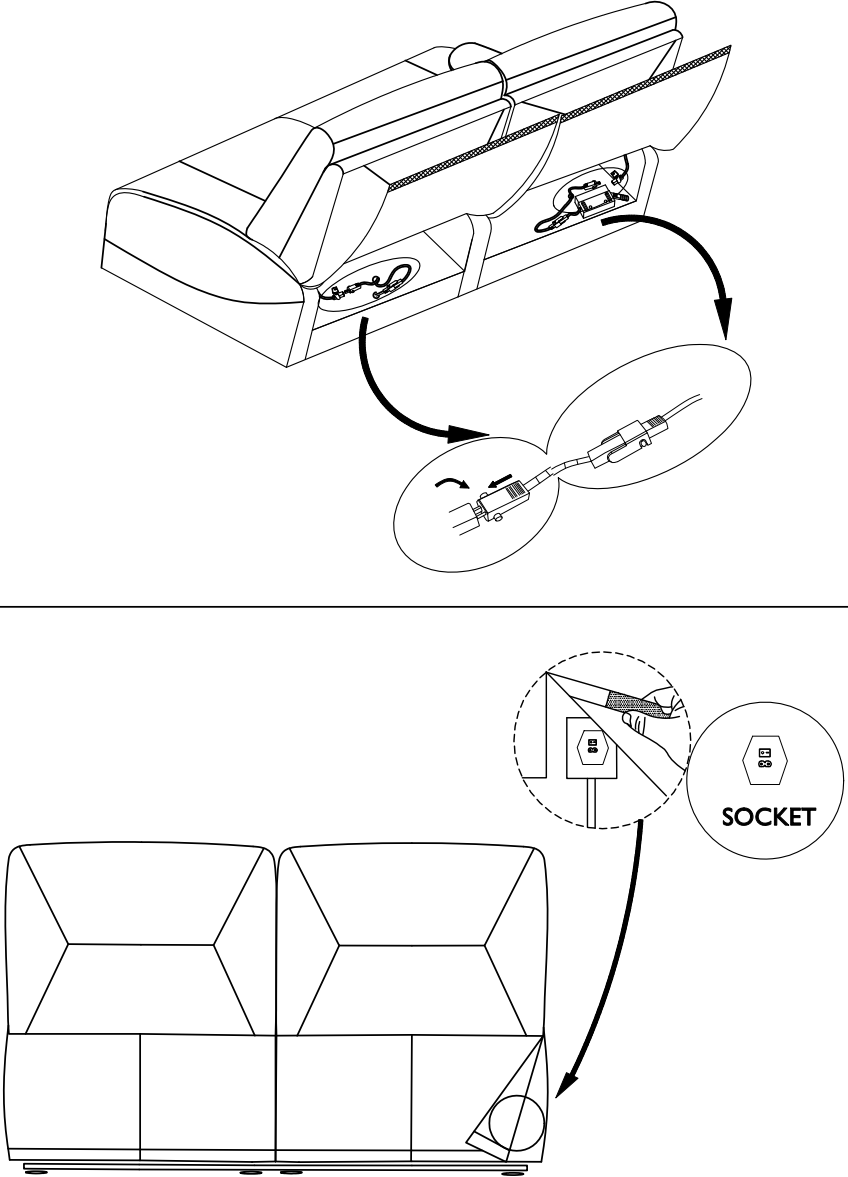
- Before you begin the assembly of your new furniture, please insure that all the parts are present.
- Follow instructions closely as deviation may void your warranty and create a potential safety risk.
- It is recommended that assembly is done on a soft surface to avoid damage.

ASSEMBLY INSTRUCTION



1. Attach seat back to seat cushion by aligning metal groove on seat back to bracket on seat cushion
2. Note: Press seat back in until you hear a "click" to make sure it is locked into position.

OPERATING INSTRUCTION



SOCKET