



ASSEMBLY INSTRUCTIONS

DESCRIPTION: **BUNK BED SERIES**

Replacement Parts

Replacement parts, including additional guardrails, may be obtained from Living Spaces stores.
Keep all instruction sheets for future reference to assemble bed for moving and/or different set up.

Size of Mattress

Twin-Twin option: This bed is designed to use a twin mattress 37.5" to 38.5" Wide x 74" to 75" Long with the total thickness not exceeding 8" for upper and lower bunk.

Twin-Full option: This bed is design to use a twin mattress 37.5" to 38.5" wide x 74" to 75" long with total thickness not exceeding 8" for upper bunk and a full mattress 53.5" to 54.5" Wide x 74" to 75" Long with the total thickness not exceeding 8" for lower bunk.

Do not use mattress without the proper slat system and proper attachments described in the instructions.

NOTE: there must be at least 5 inches from the top surface of the mattress to top edge of guardrail.

SAFETY WARNING !

1. Follow the information on the warning appearing on the upper bunk end structure and on the carton. Do not remove warning label from bed.
2. Always use the recommended size mattress or mattress support, or both, to help prevent the likelihood of entrapment or falls.
3. Surface of mattress must be at least 5 inches below the upper edge of the guardrails.
4. Do not allow children under 6 years of age to use the upper bunk.
5. Prohibit more than one person on upper bunk.
6. Periodically check and ensure that the guardrail, ladder, and other components are in their proper position, free from damage, and that all connectors are tight.
7. Do not allow horseplay on or under the bed and prohibit jumping on the bed.
8. Always use the ladder for entering and leaving the upper bunk.
9. Do not use any substitute parts. Contact manufacturer or dealer for replacement parts.
10. Use of a night light may provide added safety precaution for a child using the upper bunk.
11. If the bunk bed will be placed next to a wall, the guardrail that runs the full length of the bed should be placed against the wall to prevent entrapment between the bed and the wall.
12. Always use guardrails on both long sides of the upper bunk.
13. The use of water or sleep flotation mattress is prohibited.
14. Keep these instructions for future reference.
15. Strangulation Hazard- Never attach or hang items to any part of the bunk bed that are not designed for use with the bed: for example, but not limited to, hooks, belts, and jump ropes.

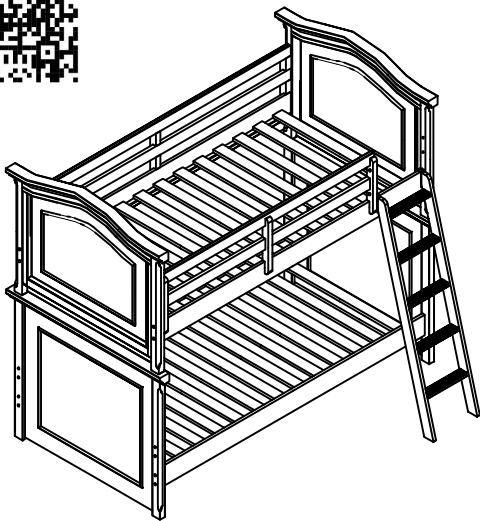


ASSEMBLY INSTRUCTIONS

DESCRIPTION: BUNK BED SERIES

Thank you for purchasing this quality product. Be sure to check all packing material carefully for small Hardware which may have come loose inside the carton during shipment. Identify and count all Hardware and compare with the Hardware List Below.

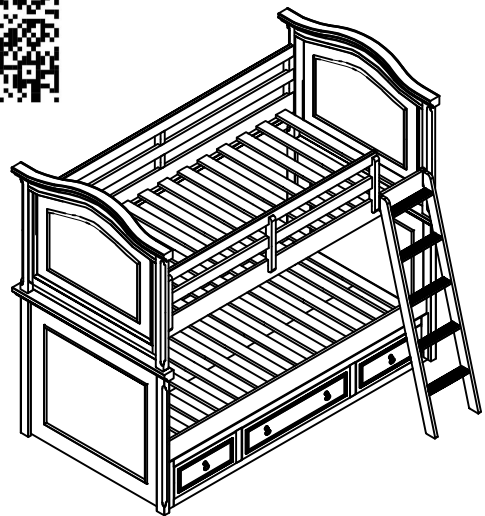
OPTION 1



3/3 BUNK BED

Item No: 305-S903-730 / 731 / 732 / SLATR-33

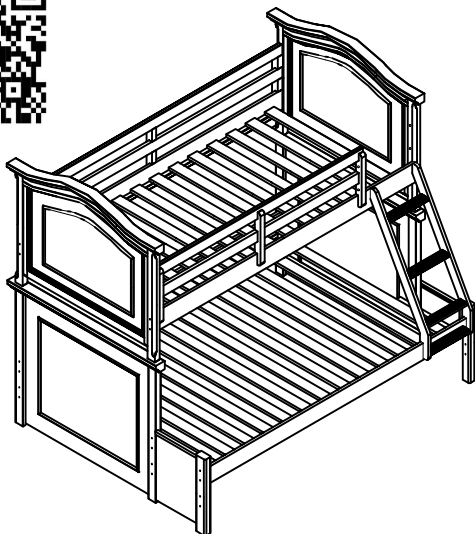
OPTION 2



3/3 BUNK BED & STORAGE RAIL

Item No: 305-S903-730 / 731 / 732 / 643 / SLATR-33

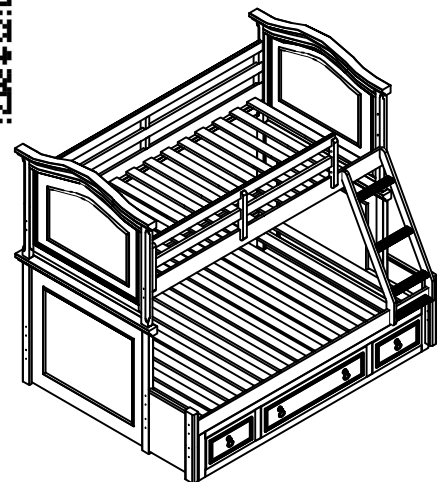
OPTION 3



3/3 BUNK BED & 4/6 EXTENSION

Item No: 305-S903-730 / 732 / 831 /
SLATR-33 / SLATR-46

OPTION 4



**3/3 BUNK BED & 4/6 EXTENSION/
STORAGE RAIL**

Item No: 305-S903-730 / 732 / 831 / 643 /
SLATR-33 / SLATR-46

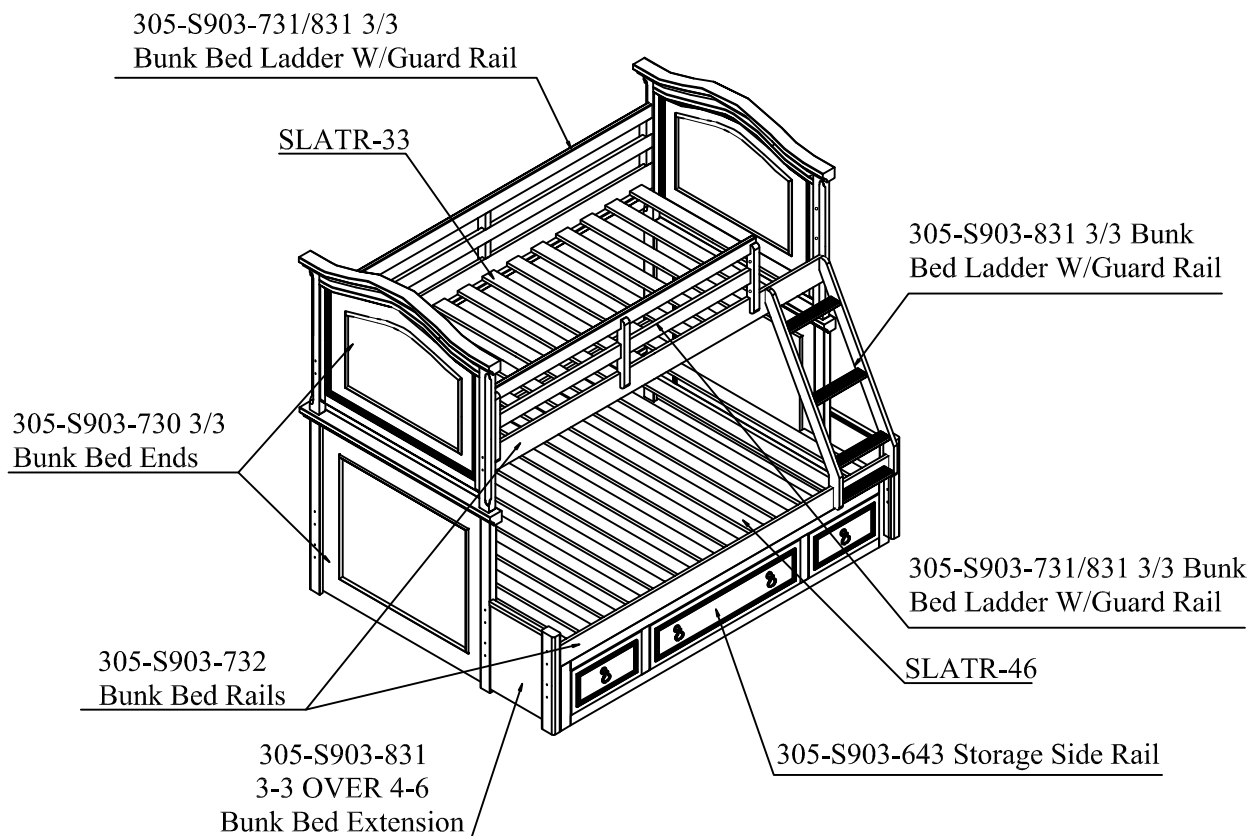
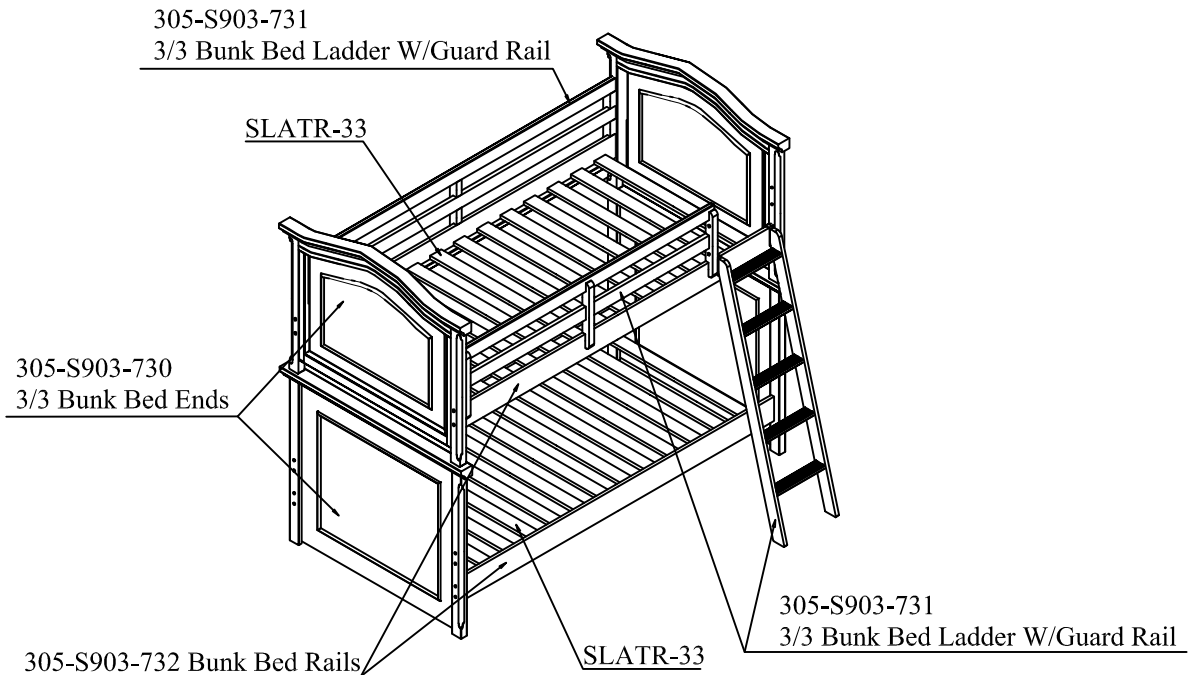


PARTS LIST

ITEM NO: 305-S903-730/731/732/831/643/SLATR-33/46

DESCRIPTION: 3/3 BUNK BED & 4/6 EXTENSION/ STORAGE RAIL

Thank you for purchasing this quality product. Be sure to check all packing material carefully for small Hardware which may have come loose inside the carton during shipment. Identify and count all Hardware and compare with the Hardware List Below.





PARTS LIST

ITEM NO: 305-S903-730/731/732/831/643/SLATR-33/46

DESCRIPTION: 3/3 BUNK BED & 4/6 EXTENSION/ STORAGE RAIL

Thank you for purchasing this quality product. Be sure to check all packing material carefully for small Hardware which may have come loose inside the carton during shipment. Identify and count all Hardware and compare with the Hardware List Below.

HARDWARE LIST (For S903-730 3/3 Bunk Bed Ends)				
No.	Drawing	Descriptions	Size	Qty.
1		Allen Bolt	Ø1/4" x 1-3/16"	8 PCS
2		D-nut	Ø1/4" x 13/16"	8 PCS
3		Allen Bolt	Ø5/16" x 9/16"	2 PCS
4		Allen Key	M4	1 PC
5		Metal Dowel	M12 x 100mm	4 PCS

HARDWARE LIST (For S903-731 Bunk Bed Ladder W/Guard Rail)				
No.	Drawing	Descriptions	Size	Qty.
6		Allen Bolt	Ø5/16" x 1-3/4"	6 PCS
7		Allen Bolt	Ø1/4" x 1"	2 PCS
2		D-nut	Ø1/4" x 13/16"	2 PCS
8		Metal Plate	120 x 25 x 3mm	3 PCS
9		Screw	M4 x 15mm	14 PCS
4		Allen Key	M4	1 PC

HARDWARE LIST (For S903-732 Bunk Bed Rails)				
No.	Drawing	Descriptions	Size	Qty.
10		Allen Bolt	Ø5/16" x 3-9/16"	16 PCS
11		Barrel Nut	Ø5/16"	16 PCS
4		Allen Key	M4	1 PC

HARDWARE LIST (For S903-831 Bunk Bed Extension)				
No.	Drawing	Descriptions	Size	Qty.
6		Allen Bolt	Ø5/16" x 1-3/4"	6 PCS
7		Allen Bolt	Ø1/4" x 1"	2 PCS
8		Metal Plate	120 x 25 x 3mm	3 PCS
9		Screw	M4 x 15mm	16 PCS
1		Allen Bolt	Ø1/4" x 1-3/16"	4 PCS
12		Allen Bolt	Ø1/4" x 1-3/8"	4 PCS
2		D-nut	Ø1/4" x 13/16"	10 PCS
13		Allen Bolt	Ø1/4" x 9/16"	10 PCS
14		Spring Washer	Ø1/4" x Ø10	10 PCS
15		Flat Washer	Ø1/4" x Ø16	10 PCS
16		Metal plate	240 x 80 x 3mm	2 PCS
4		Allen Key	M4	1 PC

HARDWARE LIST (For S903-643 Storage Side Rail)				
No.	Drawing	Descriptions	Size	Qty.
10		Allen Bolt	Ø5/16" x 3-9/16"	4 PCS
4		Allen Key	M4	1 PC

HARDWARE LIST (For SLATR-33)				
No.	Drawing	Descriptions	Size	Qty.
17		Screw	M4 x 35mm	26 PCS

HARDWARE LIST (For SLATR-46)				
No.	Drawing	Descriptions	Size	Qty.
17		Screw	M4 x 35mm	26 PCS

Descriptions		
Drawing	Descriptions	Qty.
	Upper Bunk Bed Ends (305-S903-730)	2 PCS
	Lower Bunk Bed Ends (305-S903-730)	2 PCS
	SLATR-33	1 SET
	SLATR-46	1 SET
	Long Guard Rail (305-S903-731)	1 PC
	Long Guard Rail (305-S903-831)	1 PC
	Short Guard Rail (305-S903-731)	1 PC
	Short Guard Rail (305-S903-831)	1 PC
	Bed Side Rails (305-S905-732)	4 PCS
	Ladder (305-S905-731)	1 PC
	Ladder (305-S905-831)	1 PC
	Bunk Bed Extension Left/Right (305-S905-831)	2 PCS
	Storage Side Rail (305-S905-643)	1 PC

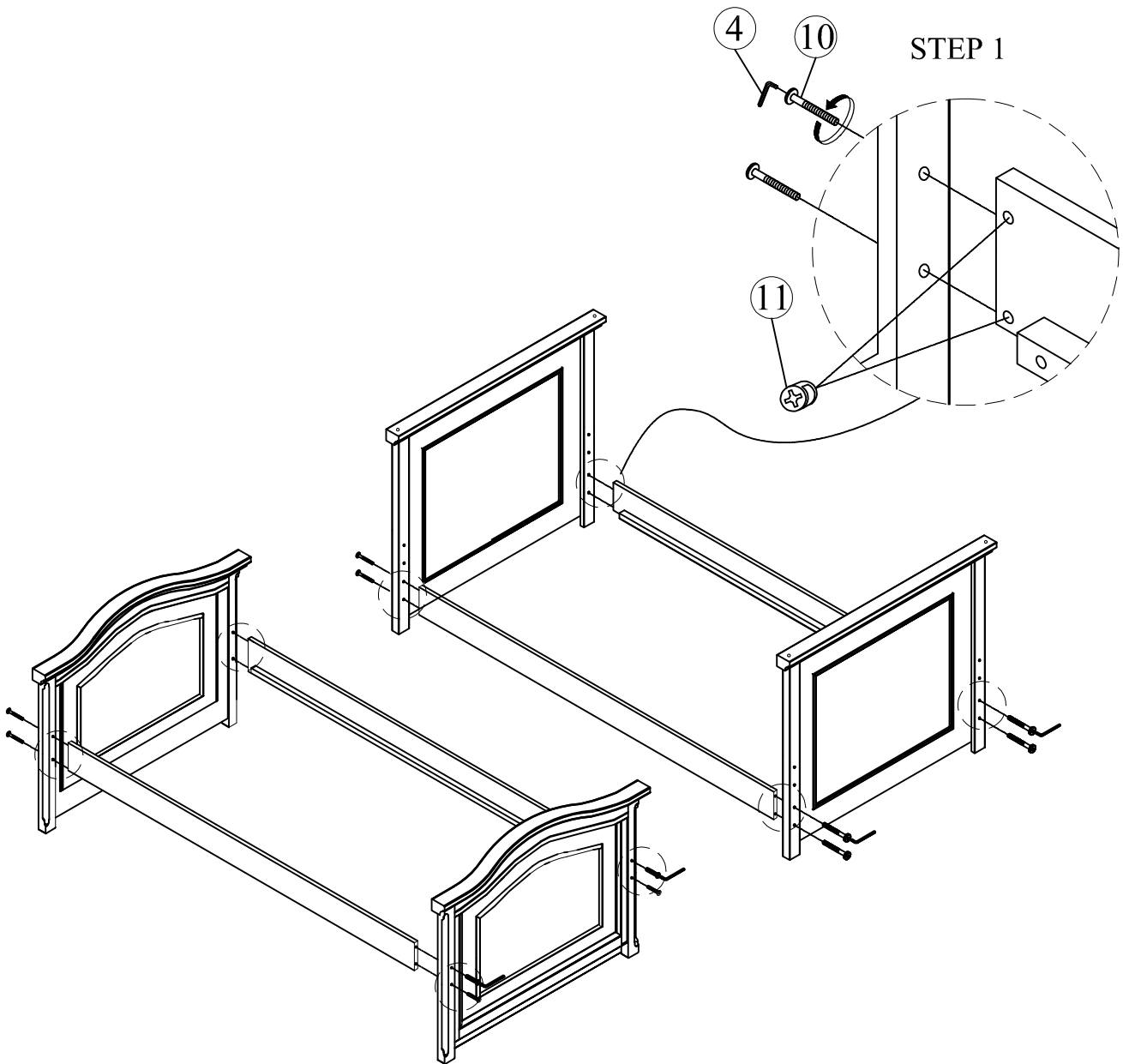
TOOL REQUIRED (NOT PROVIDED)

PHILLIPS SCREW DRIVER



ASSEMBLY INSTRUCTIONS
ITEM NO: 305-S903-730/731/732/SLATR-33
DESCRIPTION: 3/3 BUNK BED

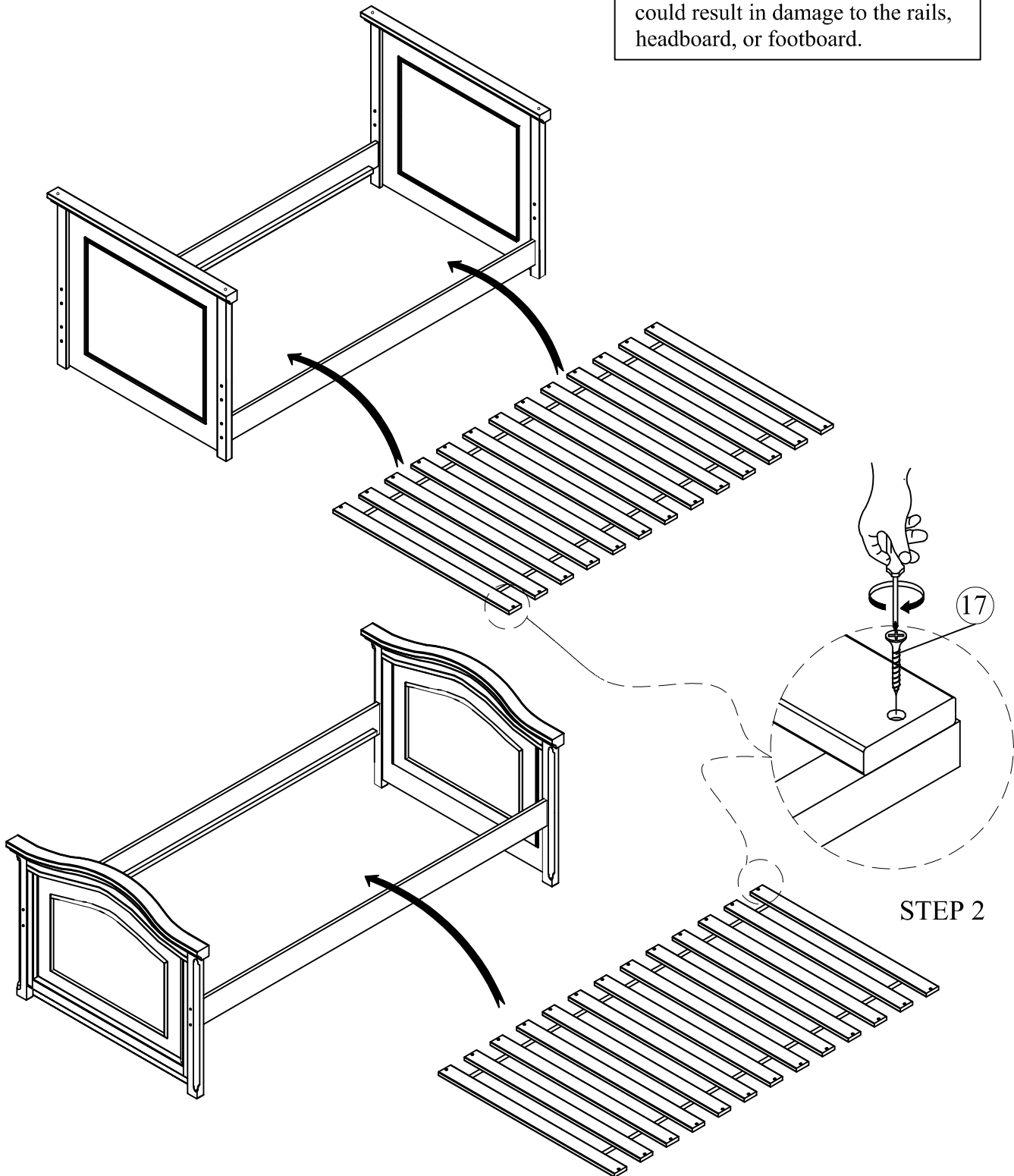
CAUTION: Do not attempt to move the bed when fully assembled. This could result in damage to the rails, headboard, or footboard.





ASSEMBLY INSTRUCTIONS
ITEM NO: 305-S903-730/731/732/SLATR-33
DESCRIPTION: 3/3 BUNK BED

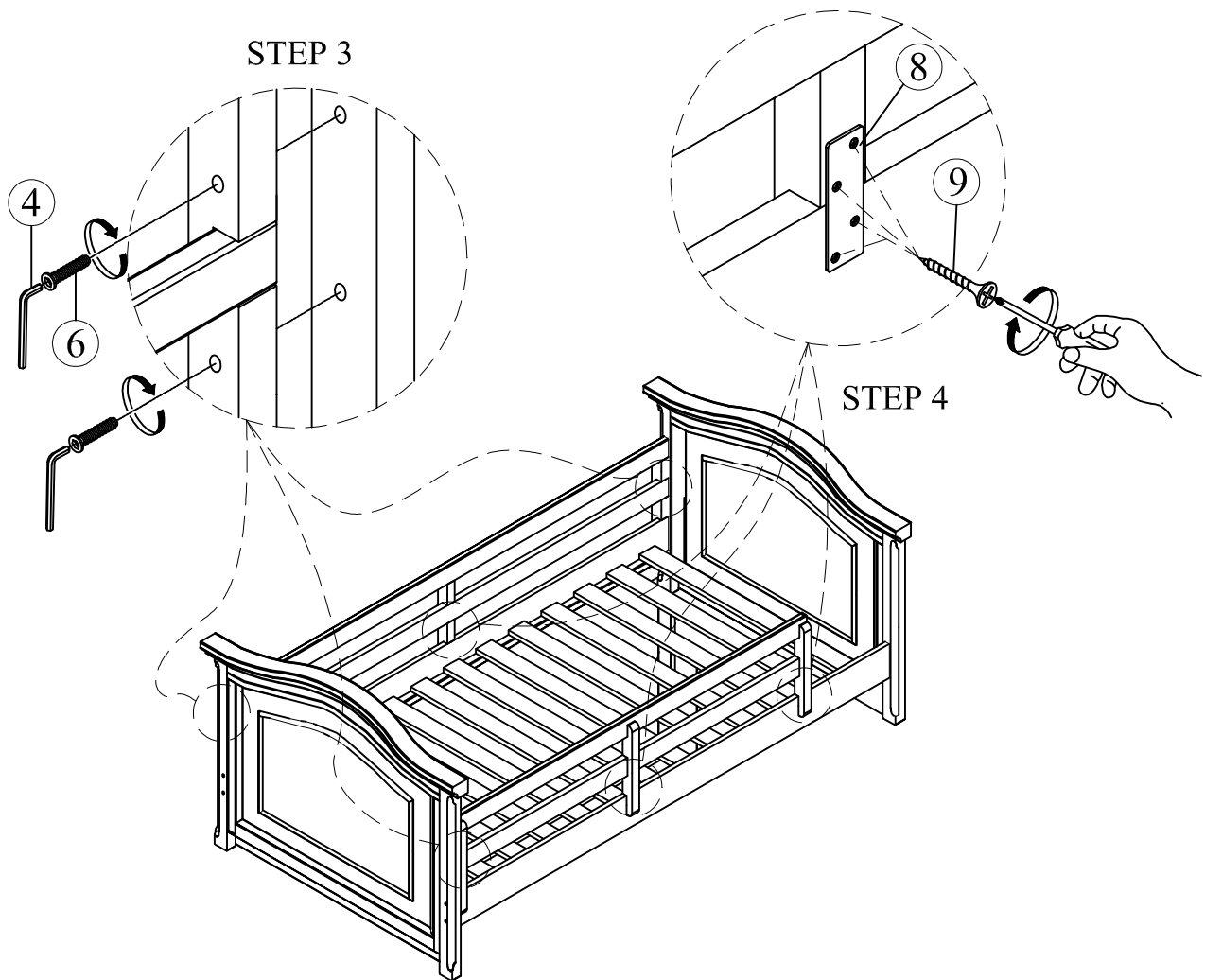
CAUTION: Do not attempt to move the bed when fully assembled. This could result in damage to the rails, headboard, or footboard.





ASSEMBLY INSTRUCTIONS
ITEM NO: 305-S903-730/731/732/SLATR-33
DESCRIPTION: 3/3 BUNK BED

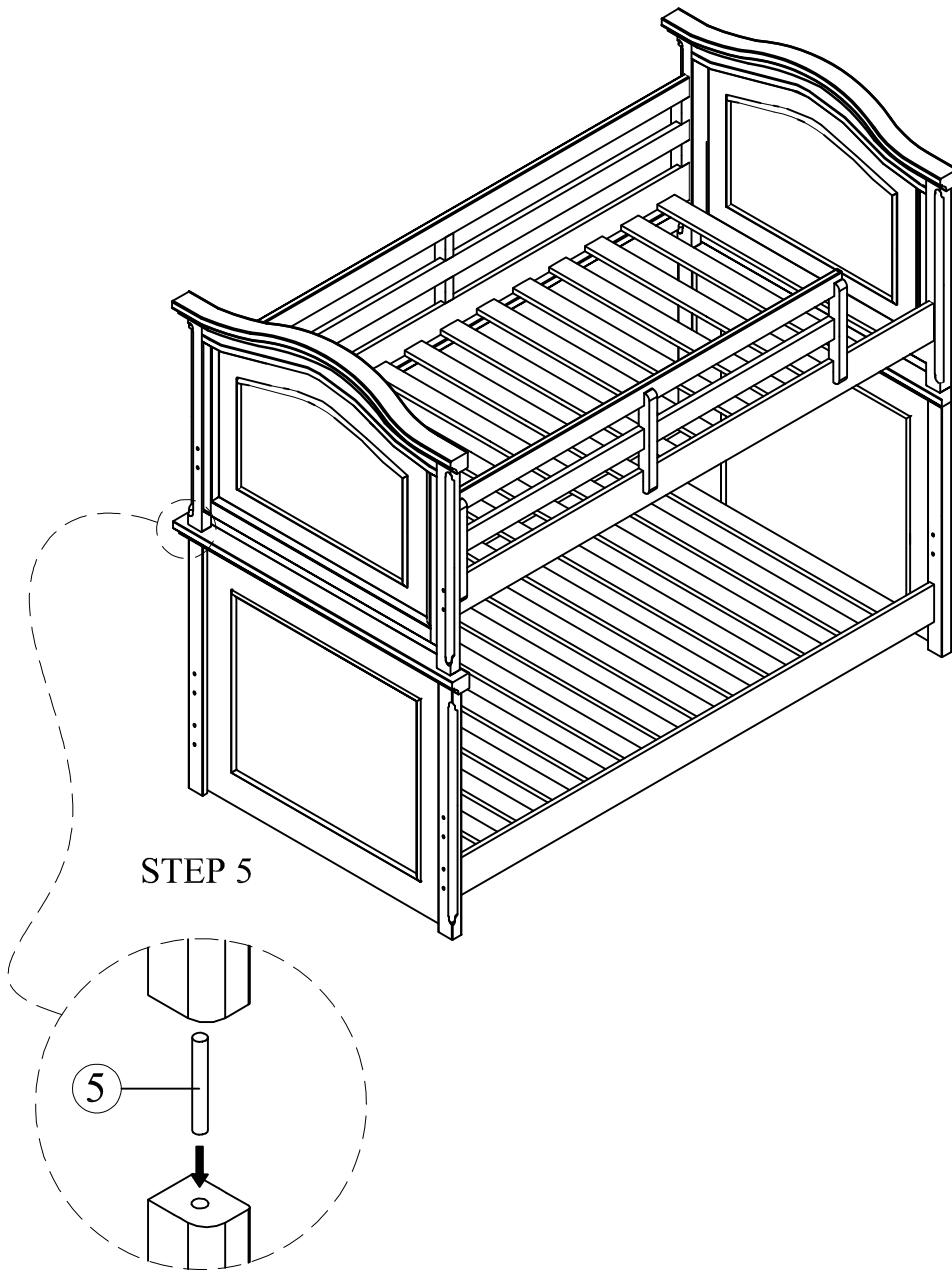
CAUTION: Do not attempt to move the bed when fully assembled. This could result in damage to the rails, headboard, or footboard.





ASSEMBLY INSTRUCTIONS
ITEM NO: 305-S903-730/731/732/SLATR-33
DESCRIPTION: 3/3 BUNK BED

CAUTION: Do not attempt to move the bed when fully assembled. This could result in damage to the rails, headboard, or footboard.

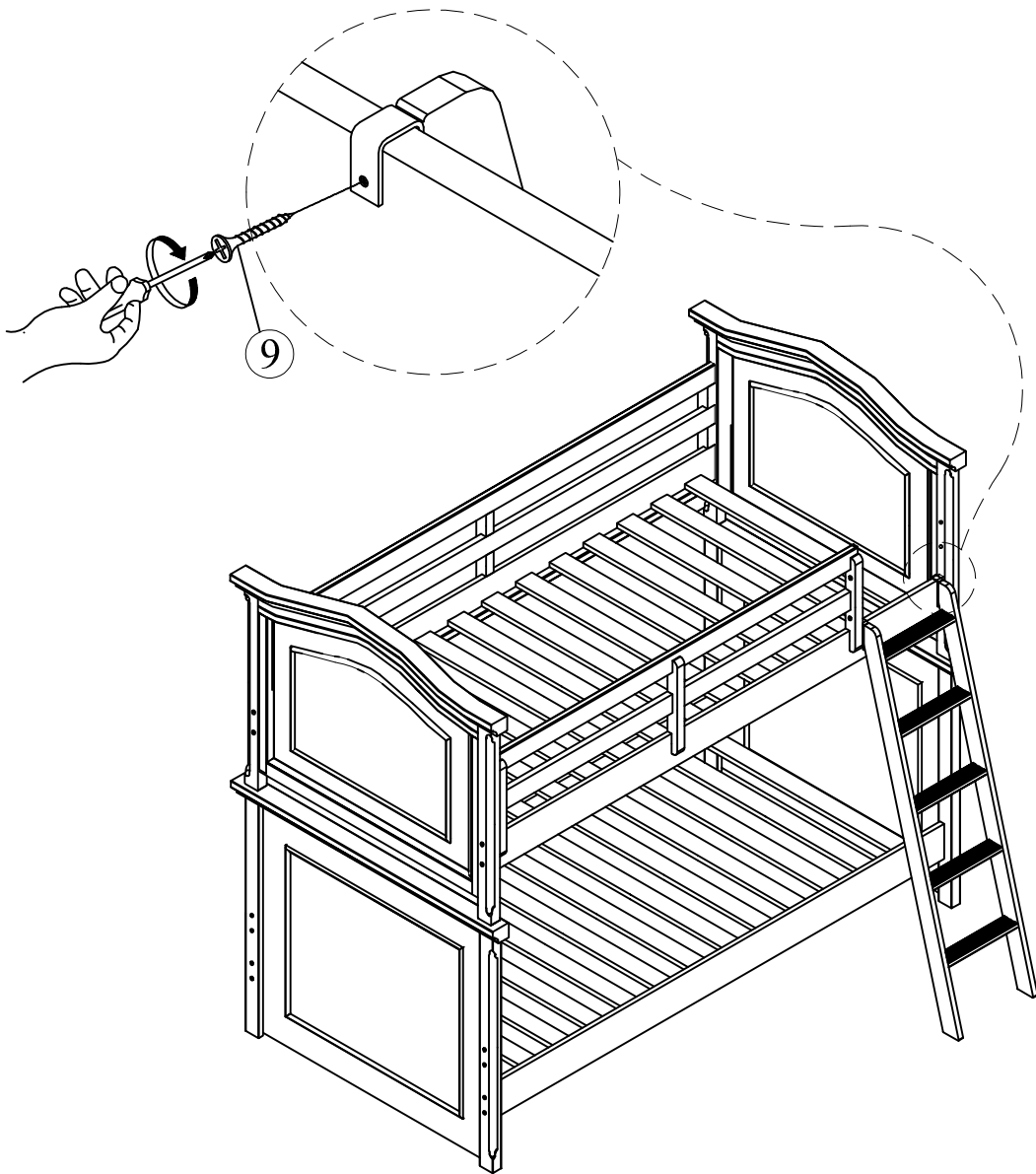




ASSEMBLY INSTRUCTIONS
ITEM NO: 305-S903-730/731/732/SLATR-33
DESCRIPTION: 3/3 BUNK BED

CAUTION: Do not attempt to move the bed when fully assembled. This could result in damage to the rails, headboard, or footboard.

STEP 6

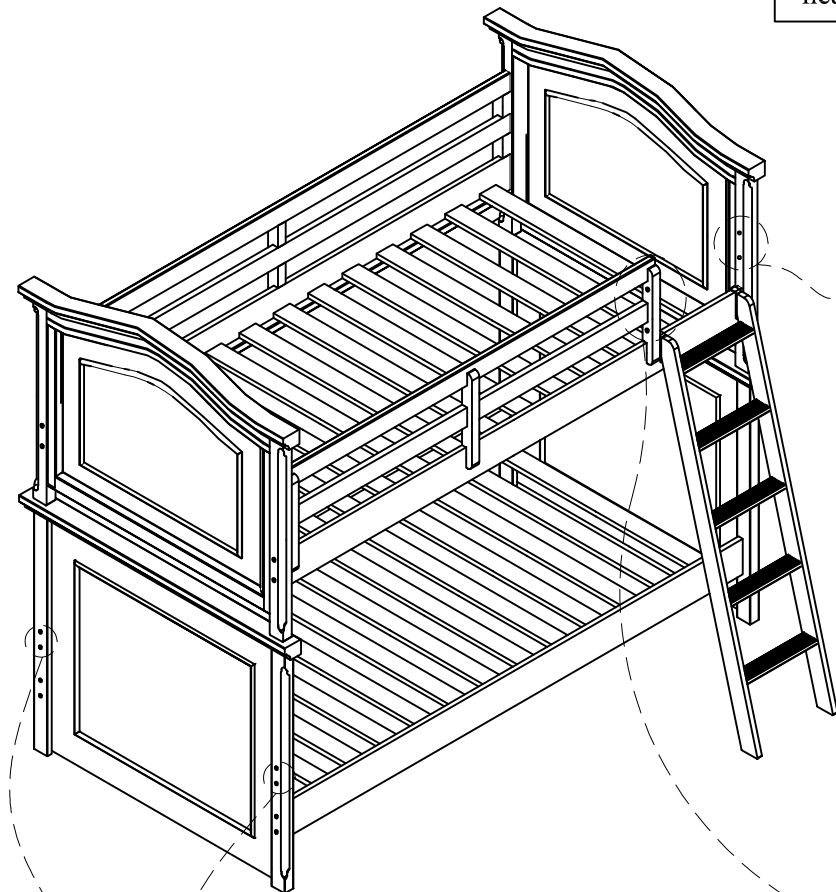




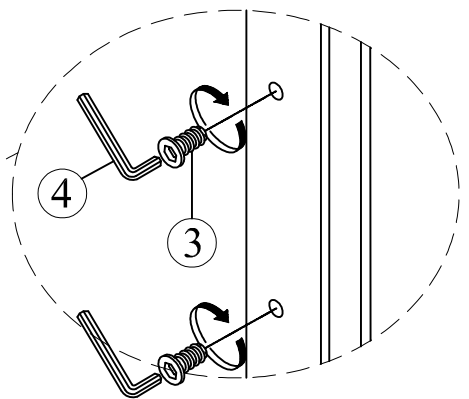
ASSEMBLY INSTRUCTIONS
ITEM NO: 305-S903-730/731/732/SLATR-33
DESCRIPTION: 3/3 BUNK BED

OPTION 1

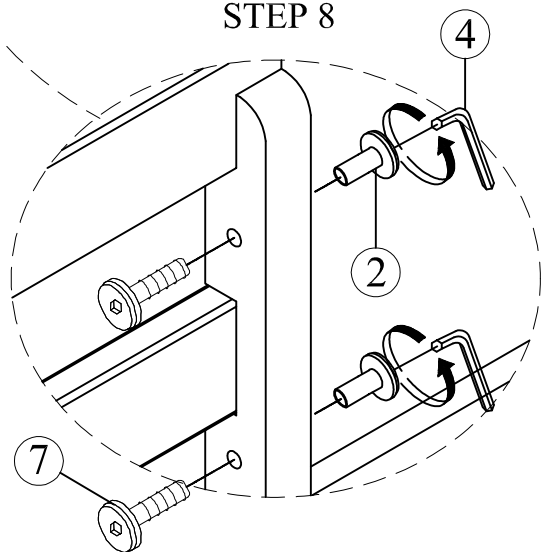
CAUTION: Do not attempt to move the bed when fully assembled. This could result in damage to the rails, headboard, or footboard.



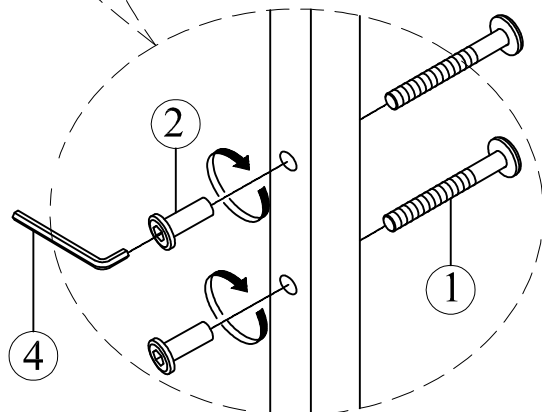
STEP 7



STEP 8



STEP 9



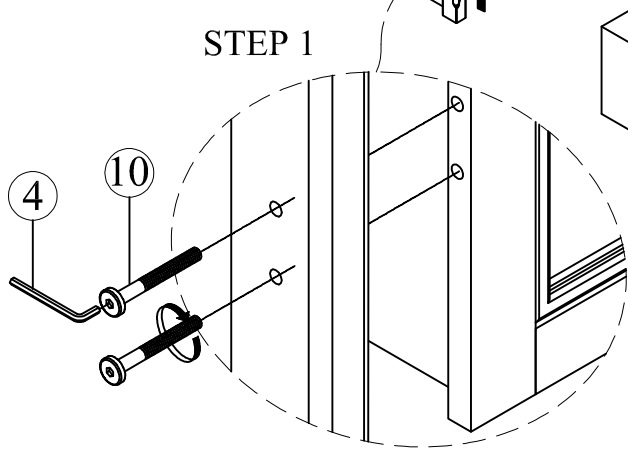
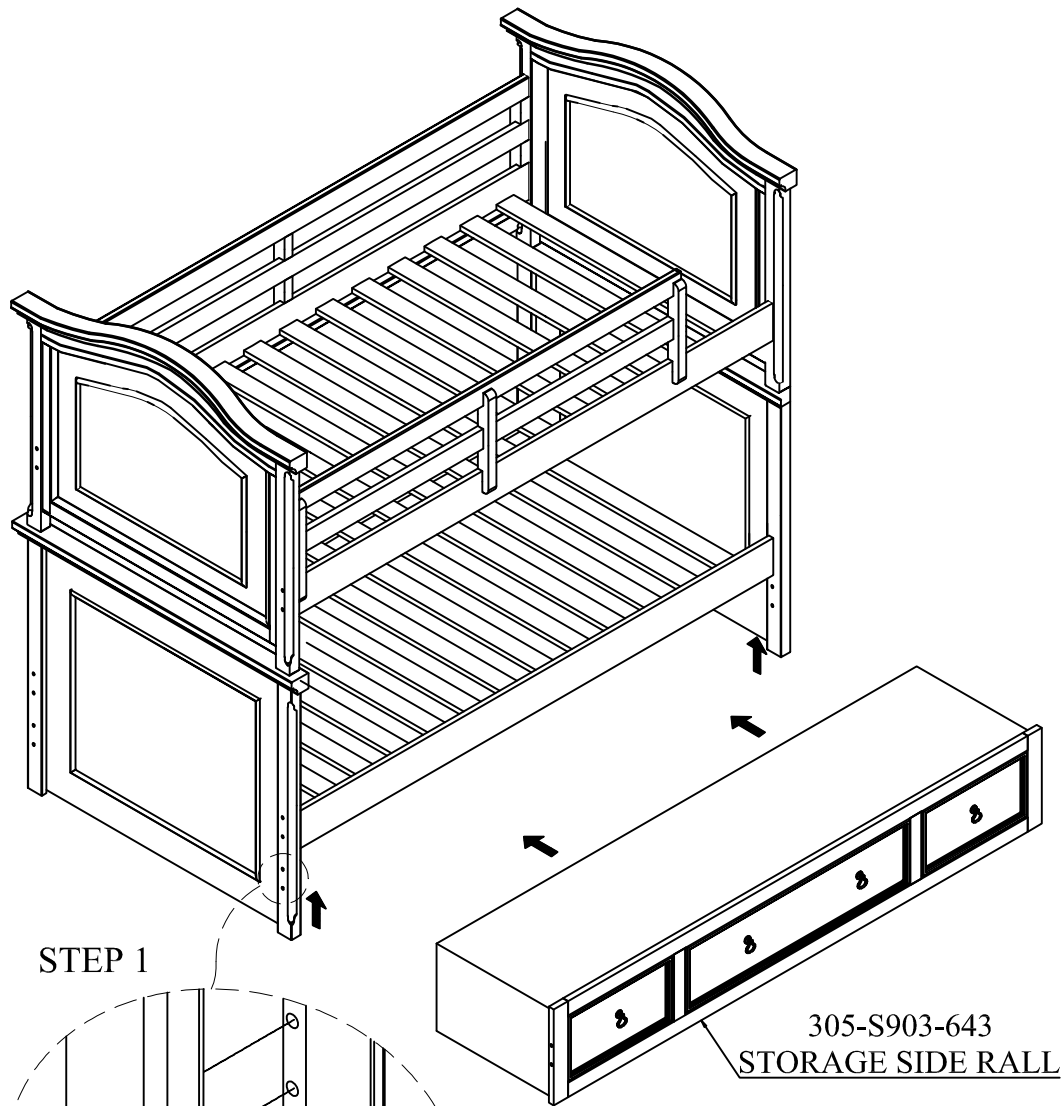


ASSEMBLY INSTRUCTIONS

ITEM NO: 305-S903-730/731/732/643/SLATR-33
DESCRIPTION: 3/3 BUNK BED / STORAGE RAIL

OPTION 2

CAUTION: Do not attempt to move the bed when fully assembled. This could result in damage to the rails, headboard, or footboard.

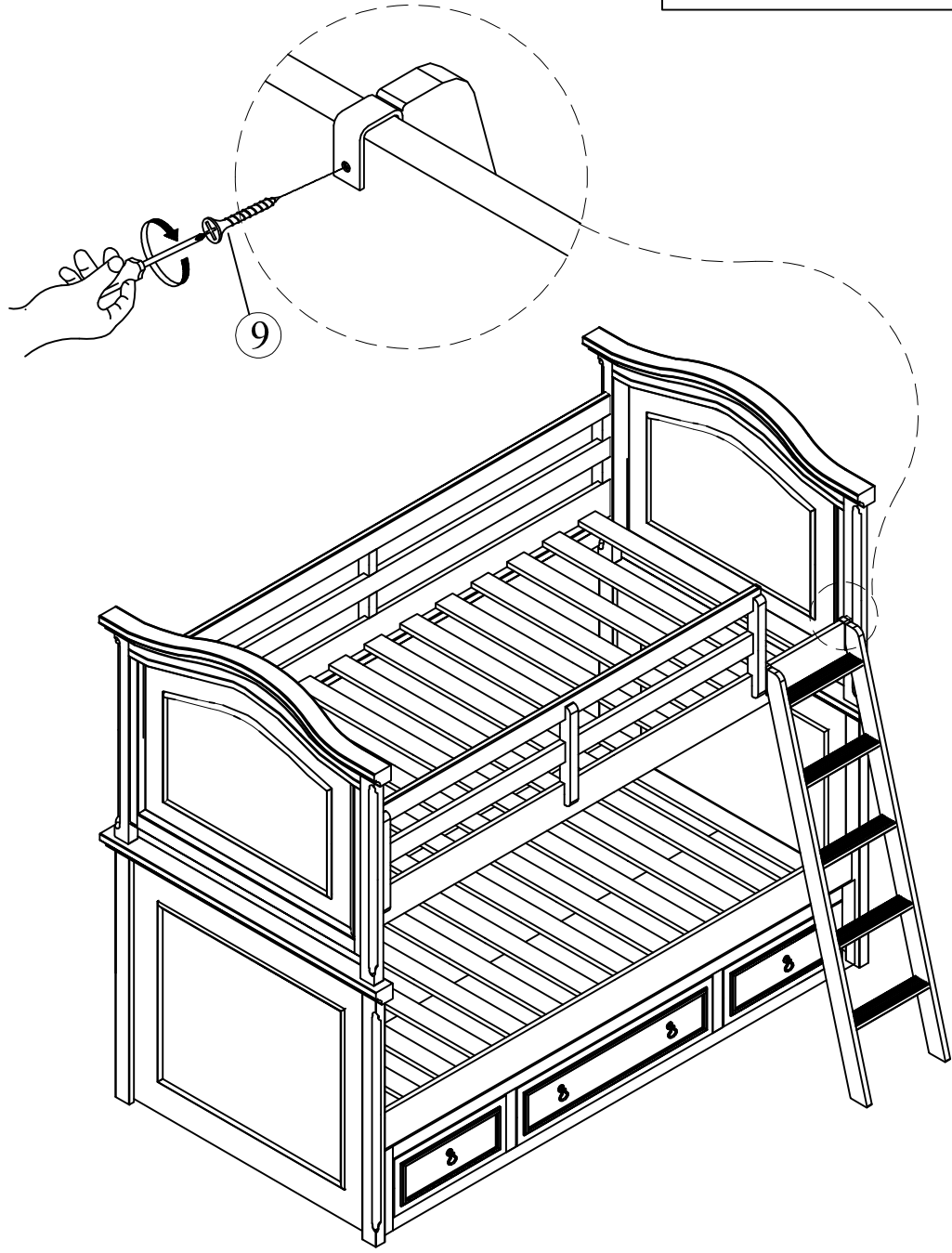




ASSEMBLY INSTRUCTIONS
ITEM NO: 305-S903-730/731/732/643/SLATR-33
DESCRIPTION: 3/3 BUNK BED / STORAGE RAIL

CAUTION: Do not attempt to move the bed when fully assembled. This could result in damage to the rails, headboard, or footboard.

STEP 2





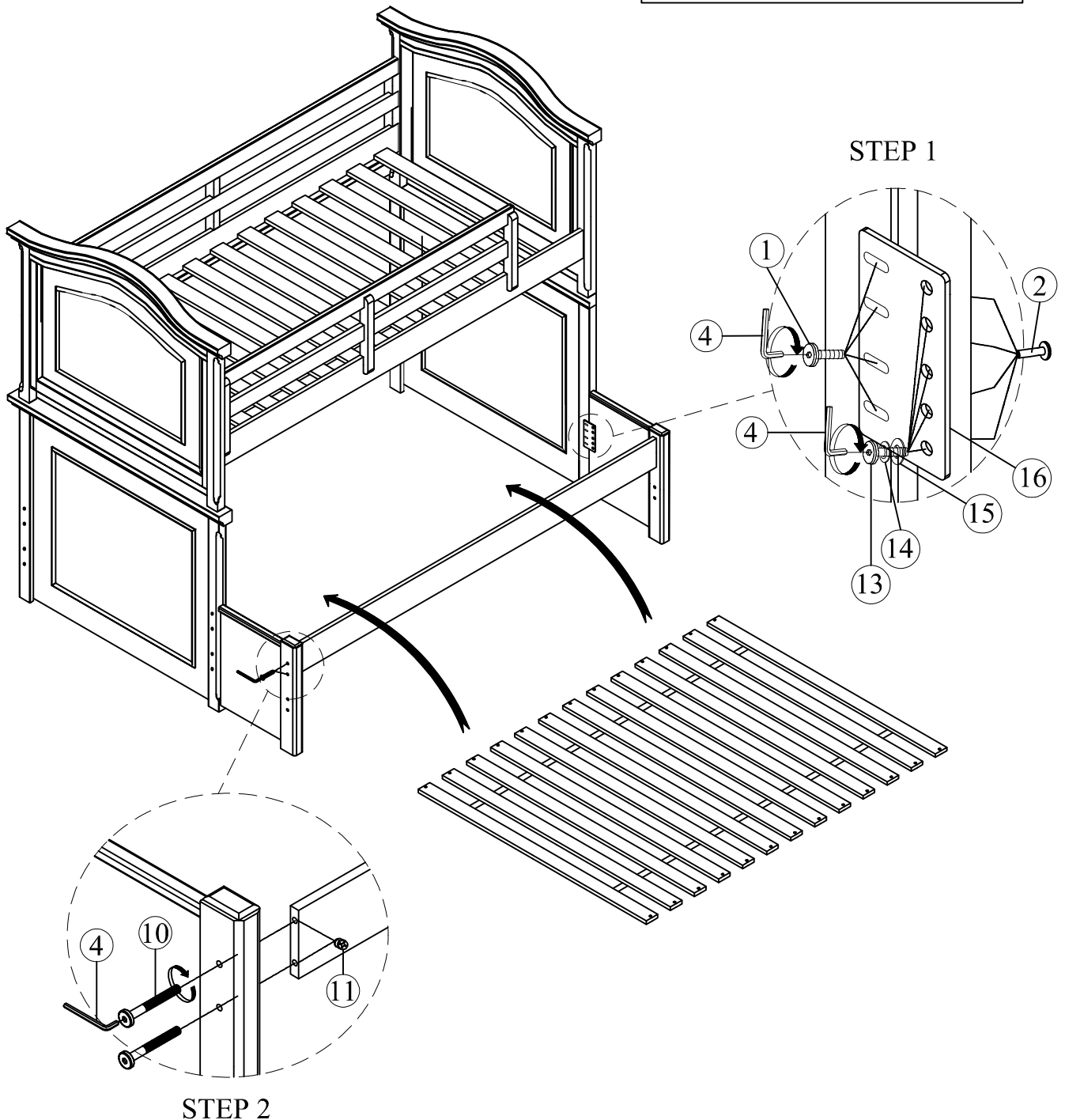
ASSEMBLY INSTRUCTIONS

ITEM NO: 305-S903-730/731/732/831/SLATR-33/46

DESCRIPTION: 3/3 BUNK BED & 4/6 EXTENSION

OPTION 3

CAUTION: Do not attempt to move the bed when fully assembled. This could result in damage to the rails, headboard, or footboard.



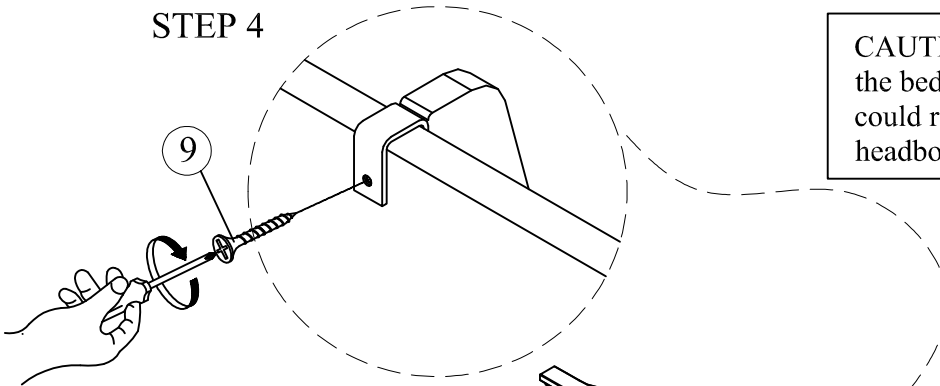


ASSEMBLY INSTRUCTIONS

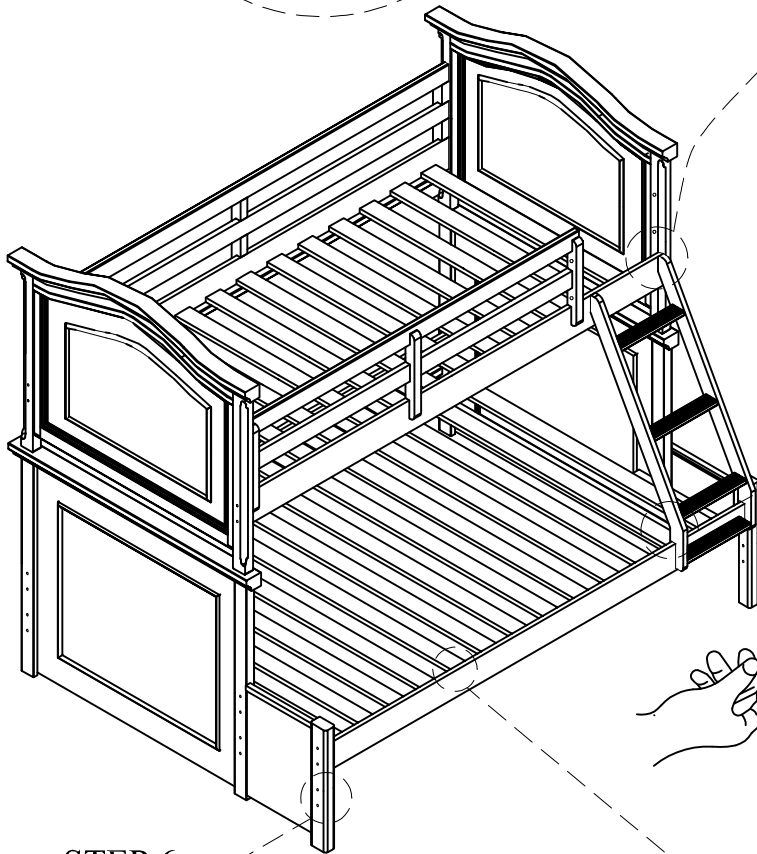
ITEM NO: 305-S903-730/731/732/831/SLATR-33/46

DESCRIPTION: 3/3 BUNK BED & 4/6 EXTENSION

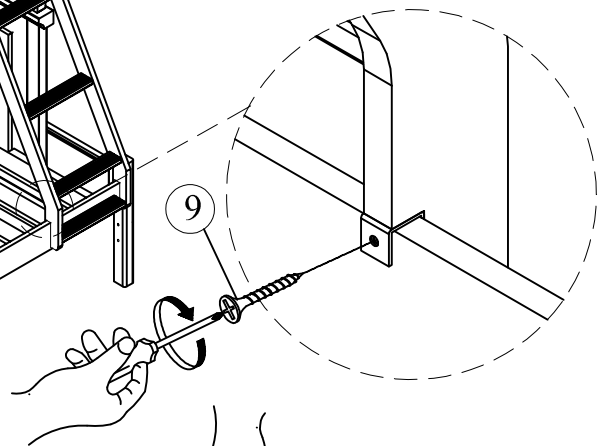
STEP 4



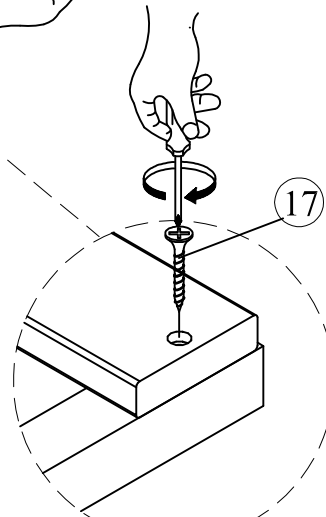
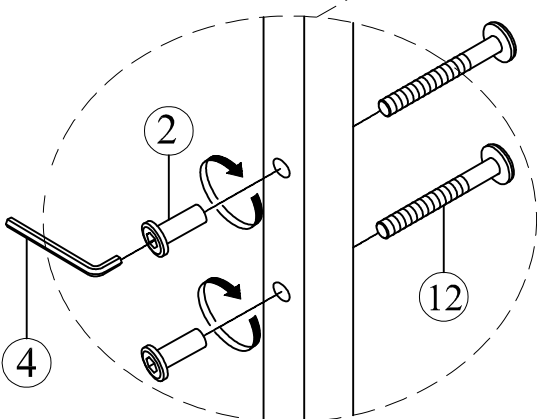
CAUTION: Do not attempt to move the bed when fully assembled. This could result in damage to the rails, headboard, or footboard.



STEP 5



STEP 6



STEP 3



LIVING SPACES

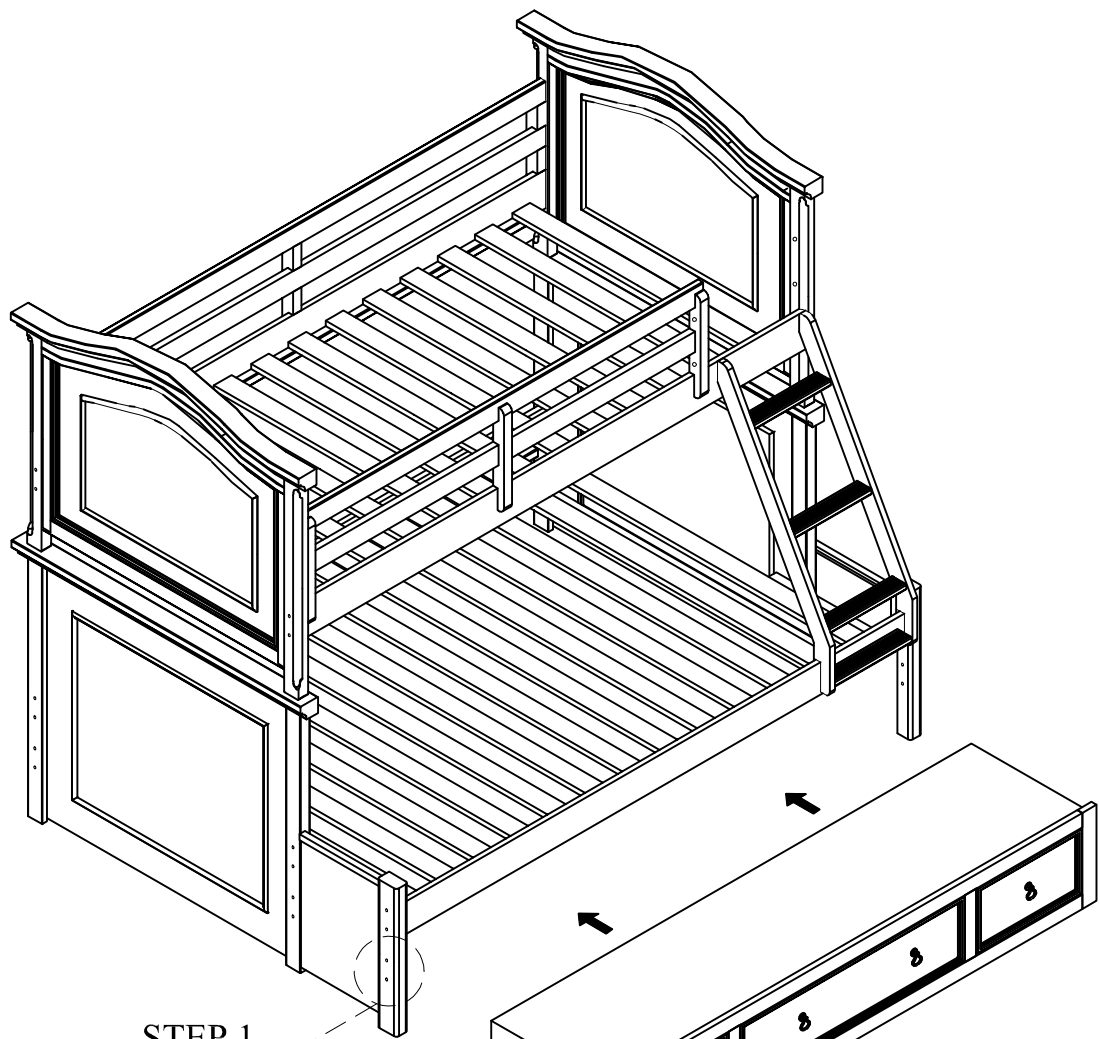
ASSEMBLY INSTRUCTIONS

ITEM NO: 305-S903-730/731/732/831/643/SLATR-33/46

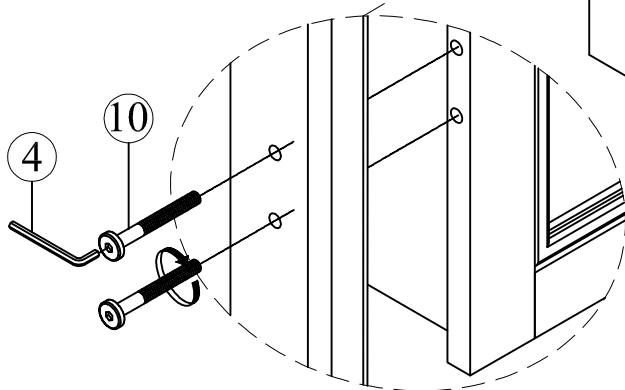
DESCRIPTION: 3/3 BUNK BED & 4/6 EXTENSION/ STORAGE RAIL

OPTION 4

CAUTION: Do not attempt to move the bed when fully assembled. This could result in damage to the rails, headboard, or footboard.



STEP 1



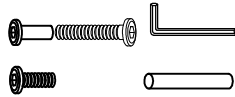
305-S903-643
STORAGE SIDE RAIL



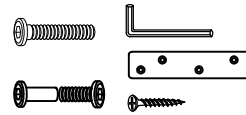
REPLACEMENT PARTS

ITEM NO: 305-S903-730/731/732/831/643/SLATR-33/46

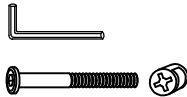
DESCRIPTION: 3/3 BUNK BED & 4/6 EXTENSION/ STORAGE RAIL



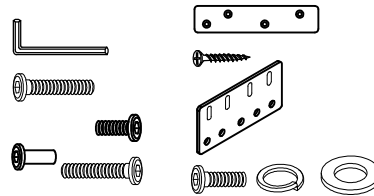
x1 RS903-730-HWKIT
Hardware kit



x1 RS903-731-HWKIT
Hardware kit



x1 RS903-732-HWKIT
Hardware kit



x1 RS903-831-HWKIT
Hardware kit



x1 RS903-643-HWKIT
Hardware kit



x3 COMGLIDE-10-45
Common Glide 10in-45mm



x4 RS903-410-PULL
Pull with screw