



## ASSEMBLY INSTRUCTIONS

### DESCRIPTION: **FULL BUNK BED SERIES**

#### **Replacement Parts**

Replacement parts, including additional guardrails, may be obtained from Living Spaces stores.  
Keep all instruction sheets for future reference to assemble bed for moving and/or different set up.

#### **Size of Mattress**

This bed is design to use a full mattress 53.5" to 54.5" Wide x 74" to 75" Long with the total thickness not exceeding 8" for upper and lower bunk.

Do not use mattress without the proper slat system and proper attachments described in the instructions.

NOTE: there must be at least 5 inches from the top surface of the mattress to top edge of guardrail.

#### **SAFETY WARNING !**

1. Follow the information on the warning appearing on the upper bunk end structure and on the carton. Do not remove warning label from bed.
2. Always use the recommended size mattress or mattress support, or both, to help prevent the likelihood of entrapment or falls.
3. Surface of mattress must be at least 5 inches below the upper edge of the guardrails.
4. Do not allow children under 6 years of age to use the upper bunk.
5. Prohibit more than one person on upper bunk.
6. Periodically check and ensure that the guardrail, ladder, and other components are in their proper position, free from damage, and that all connectors are tight.
7. Do not allow horseplay on or under the bed and prohibit jumping on the bed.
8. Always use the ladder for entering and leaving the upper bunk.
9. Do not use any substitute parts. Contact manufacturer or dealer for replacement parts.
10. Use of a night light may provide added safety precaution for a child using the upper bunk.
11. If the bunk bed will be placed next to a wall, the guardrail that runs the full length of the bed should be placed against the wall to prevent entrapment between the bed and the wall.
12. Always use guardrails on both long sides of the upper bunk.
13. The use of water or sleep flotation mattress is prohibited.
14. Keep these instructions for future reference.
15. Strangulation Hazard- Never attach or hang items to any part of the bunk bed that are not designed for use with the bed: for example, but not limited to, hooks, belts, and jump ropes.

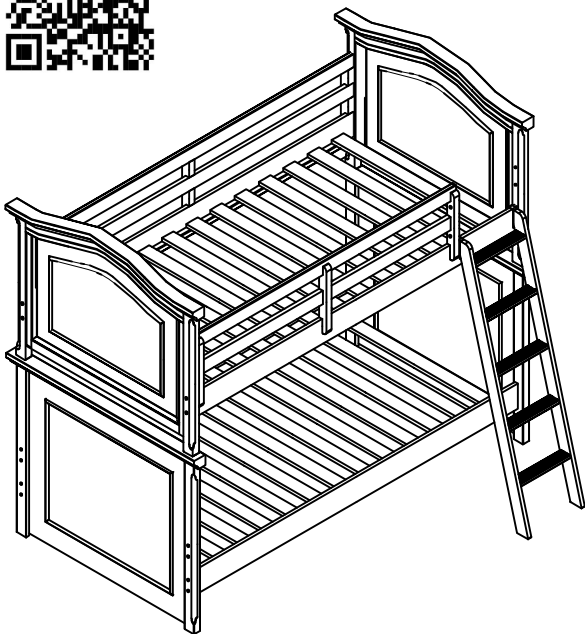


## ASSEMBLY INSTRUCTIONS

### DESCRIPTION: **FULL BUNK BED SERIES**

Thank you for purchasing this quality product. Be sure to check all packing material carefully for small Hardware which may have come loose inside the carton during shipment. Identify and count all Hardware and compare with the Hardware List Below.

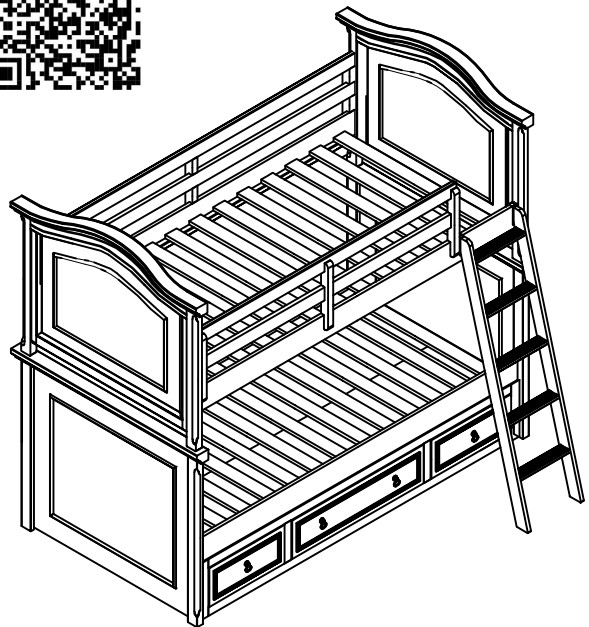
#### OPTION 1



**4/6 BUNK BED**

Item No: 305-S903-846/731/732/SLATR-46

#### OPTION 2



**4/6 BUNK BED & STORAGE RAIL**

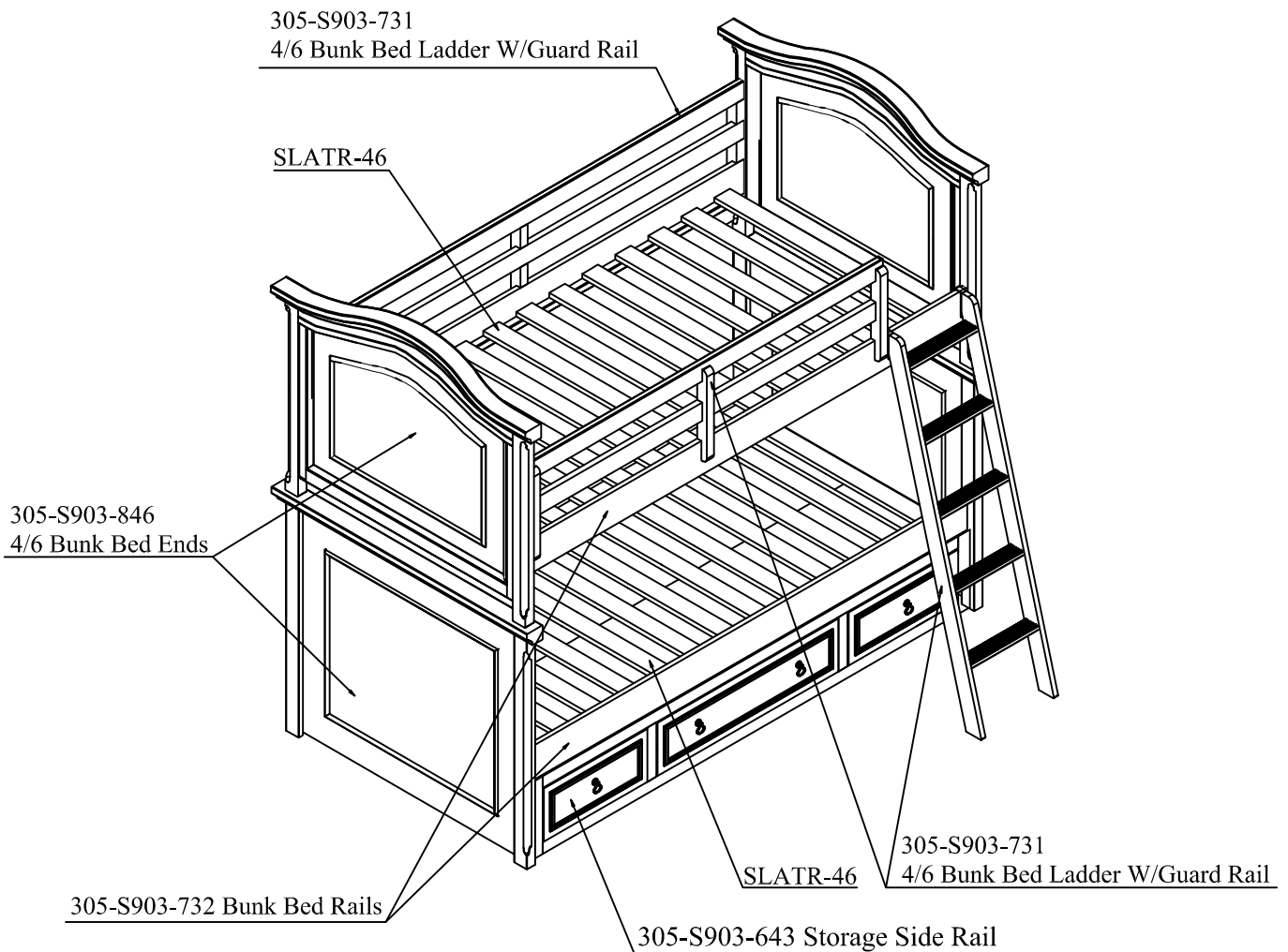
Item No: 305-S903-846/731/732/643/SLATR-46



PARTS LIST

ITEM NO: 305-S903-846/731/732/643/SLATR-46  
 DESCRIPTION: 4/6 BUNK BED & STORAGE RAIL

Thank you for purchasing this quality product. Be sure to check all packing material carefully for small Hardware which may have come loose inside the carton during shipment. Identify and count all Hardware and compare with the Hardware List Below.





**PARTS LIST**  
**ITEM NO: 305-S903-846/731/732/643/SLATR-46**  
**DESCRIPTION: 4/6 BUNK BED & STORAGE RAIL**

Thank you for purchasing this quality product. Be sure to check all packing material carefully for small Hardware which may have come loose inside the carton during shipment. Identify and count all Hardware and compare with the Hardware List Below.

HARDWARE LIST (For S903-846 4/6 Bunk Bed Ends)				
No.	Drawing	Descriptions	Size	Qty.
1		Allen Bolt	Ø1/4" x 1-3/16"	8 PCS
2		D-nut	Ø1/4" x 13/16"	8 PCS
3		Allen Bolt	Ø5/16" x 9/16"	2 PCS
4		Allen Key	M4	1 PC
5		Metal Dowel	M12 x 100mm	4 PCS

HARDWARE LIST (For S903-731 Bunk Bed Ladder W/Guard Rail)				
No.	Drawing	Descriptions	Size	Qty.
6		Allen Bolt	Ø5/16" x 1-3/4"	6 PCS
7		Allen Bolt	Ø1/4" x 1"	2 PCS
2		D-nut	Ø1/4" x 13/16"	2 PCS
8		Metal Plate	120 x 25 x 3mm	3 PCS
9		Screw	M4 x 15mm	14 PCS
4		Allen Key	M4	1 PC

HARDWARE LIST (For S903-732 Bunk Bed Rails)				
No.	Drawing	Descriptions	Size	Qty.
10		Allen Bolt	Ø5/16" x 3-9/16"	16 PCS
11		Barrel Nut	Ø5/16"	16 PCS
4		Allen Key	M4	1 PC

HARDWARE LIST (For S903-643 Storage Side Rail )				
No.	Drawing	Descriptions	Size	Qty.
10		Allen Bolt	Ø5/16" x 3-9/16"	4 PCS
4		Allen Key	M4	1 PC

HARDWARE LIST (For SLATR-46)				
No.	Drawing	Descriptions	Size	Qty.
12		Screw	M4 x 35mm	26 PCS

HARDWARE LIST (For SLATR-46)				
No.	Drawing	Descriptions	Size	Qty.
12		Screw	M4 x 35mm	26 PCS

Descriptions		
Drawing	Descriptions	Qty.
	Upper Bunk Bed Ends (305-S903-846)	2 PCS
	Lower Bunk Bed Ends (305-S903-846)	2 PCS
	SLATR-46	2 SET
	Long Guard Rail (305-S903-731)	1 PC
	Short Guard Rail (305-S903-731)	1 PC
	Bed Side Rails (305-S905-732)	4 PCS
	Ladder (305-S905-731)	1 PC
	Storage Side Rail (305-S905-643)	1 PC

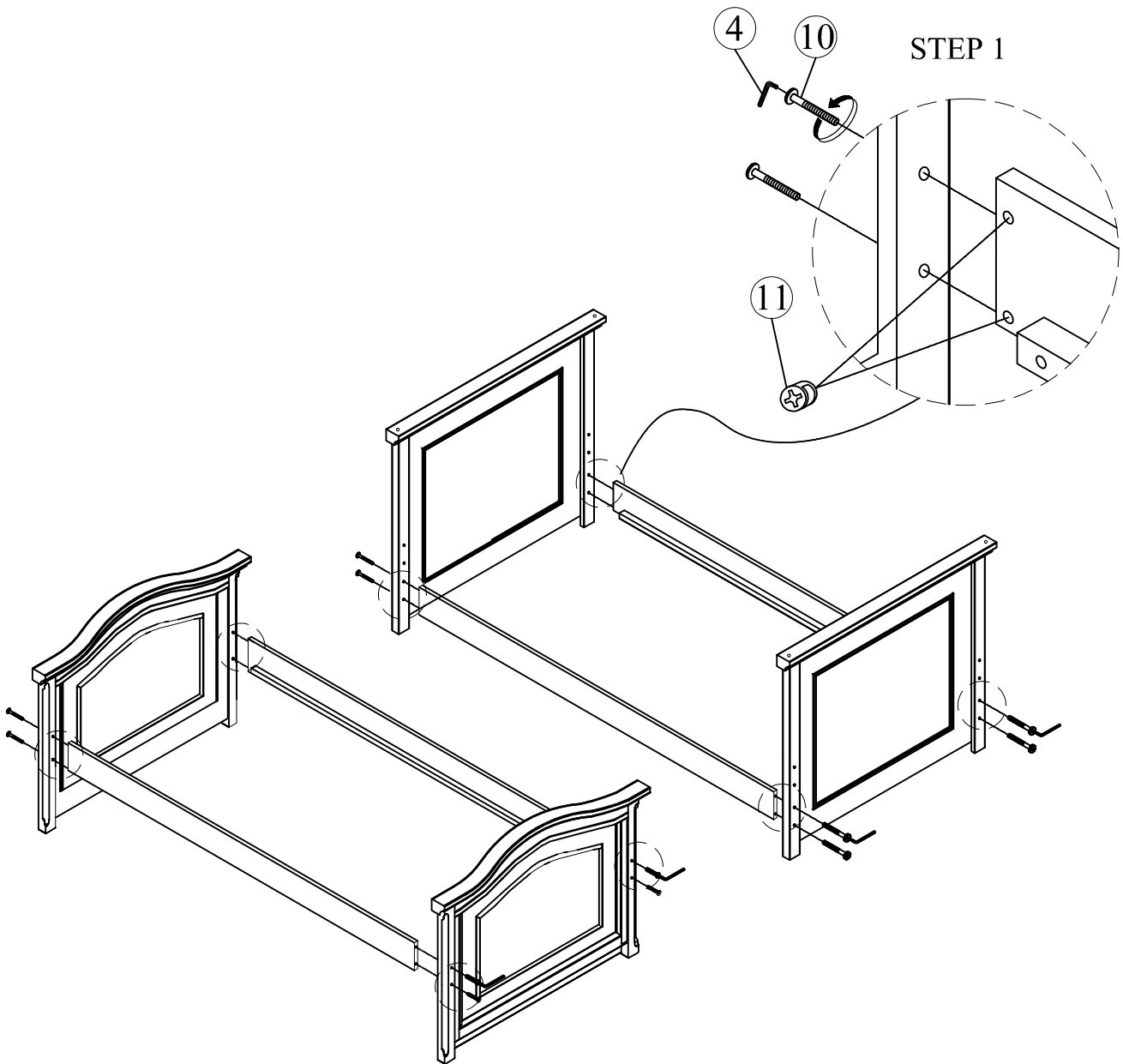
TOOL REQUIRED (NOT PROVIDED)

PHILLIPS SCREW DRIVER



ASSEMBLY INSTRUCTIONS  
ITEM NO: 305-S903-846/731/732/SLATR-46  
DESCRIPTION: 4/6 BUNK BED

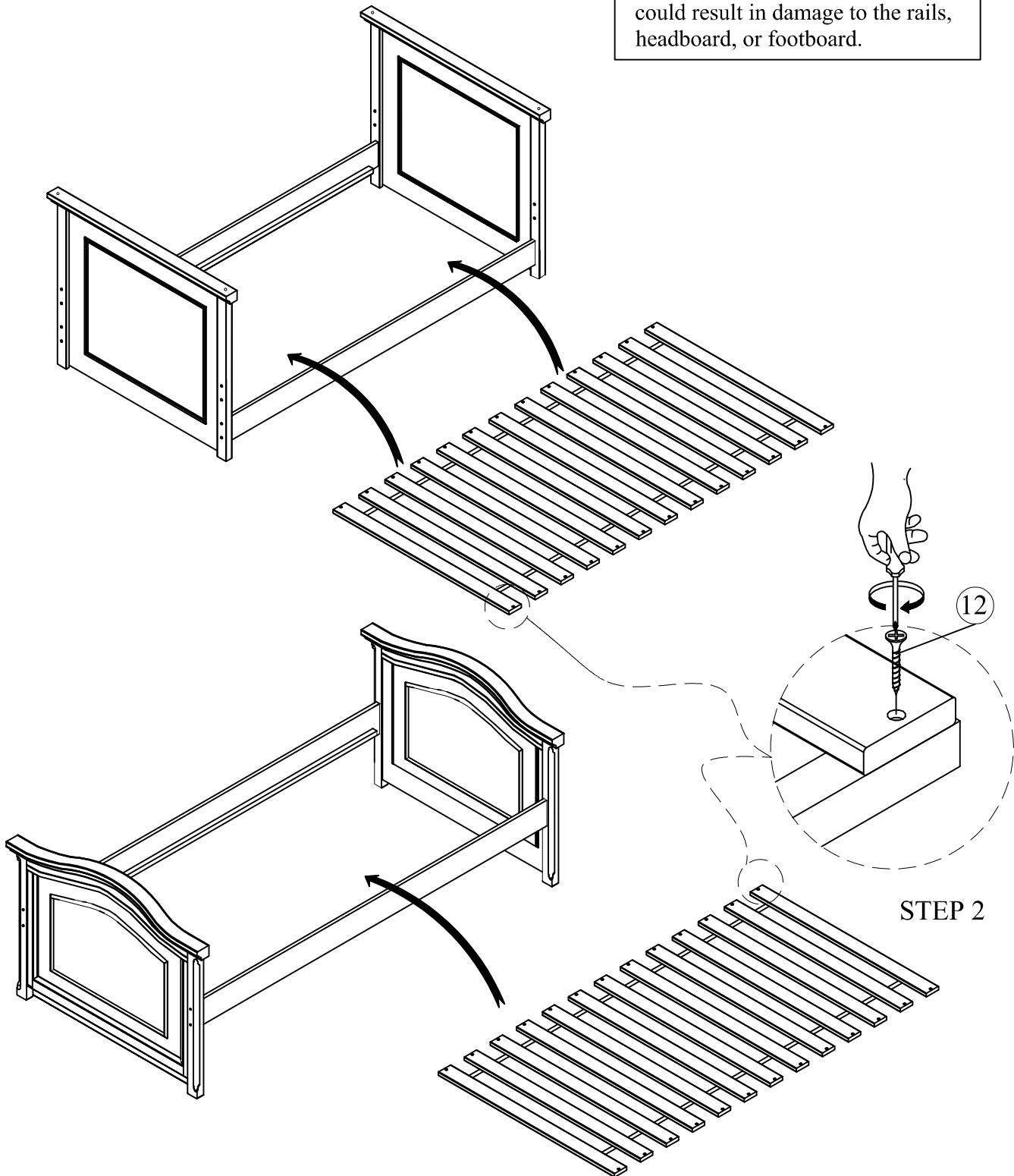
CAUTION: Do not attempt to move the bed when fully assembled. This could result in damage to the rails, headboard, or footboard.





ASSEMBLY INSTRUCTIONS  
ITEM NO: 305-S903-846/731/732/SLATR-46  
DESCRIPTION: 4/6 BUNK BED

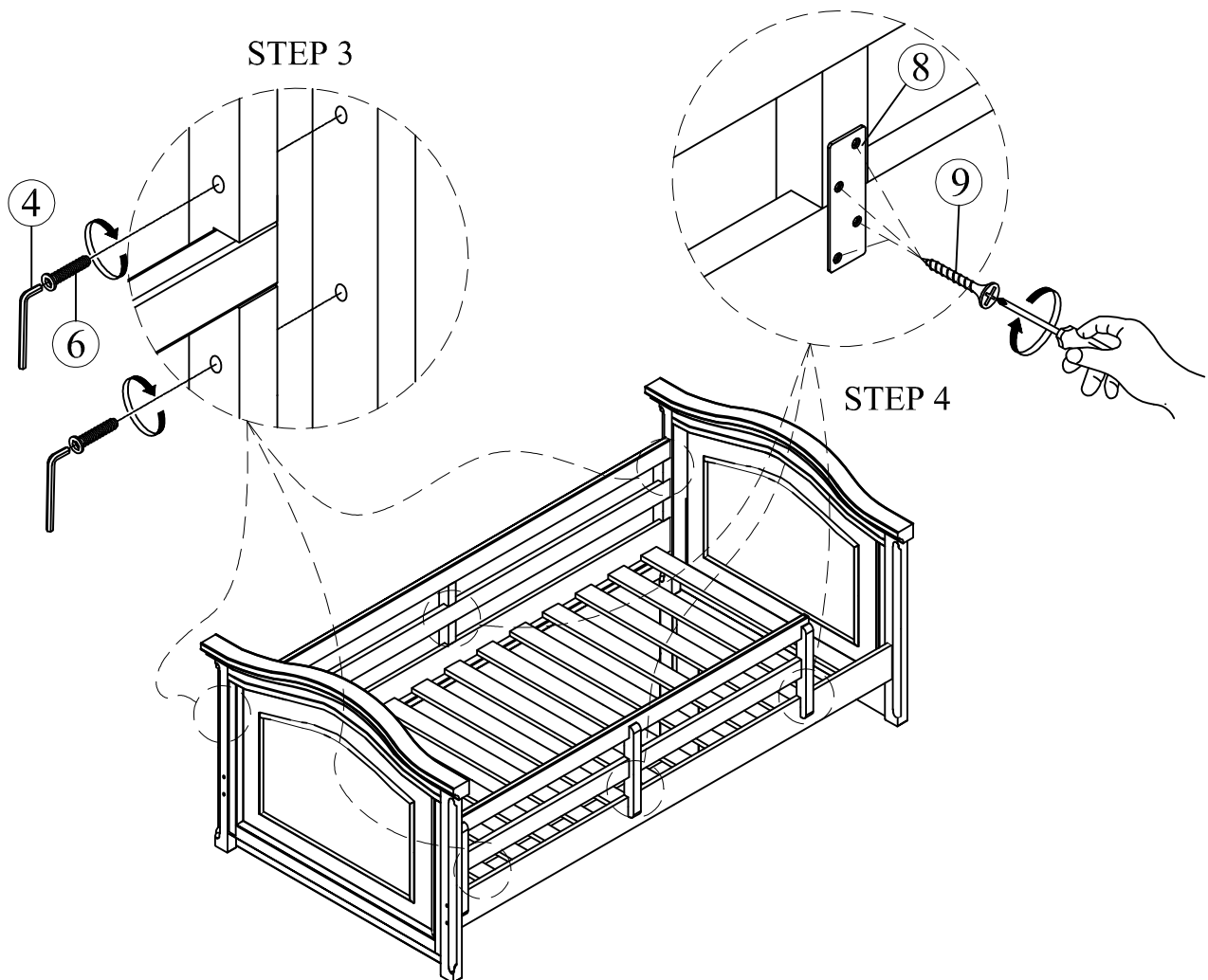
CAUTION: Do not attempt to move the bed when fully assembled. This could result in damage to the rails, headboard, or footboard.





ASSEMBLY INSTRUCTIONS  
ITEM NO: 305-S903-846/731/732/SLATR-46  
DESCRIPTION: 4/6 BUNK BED

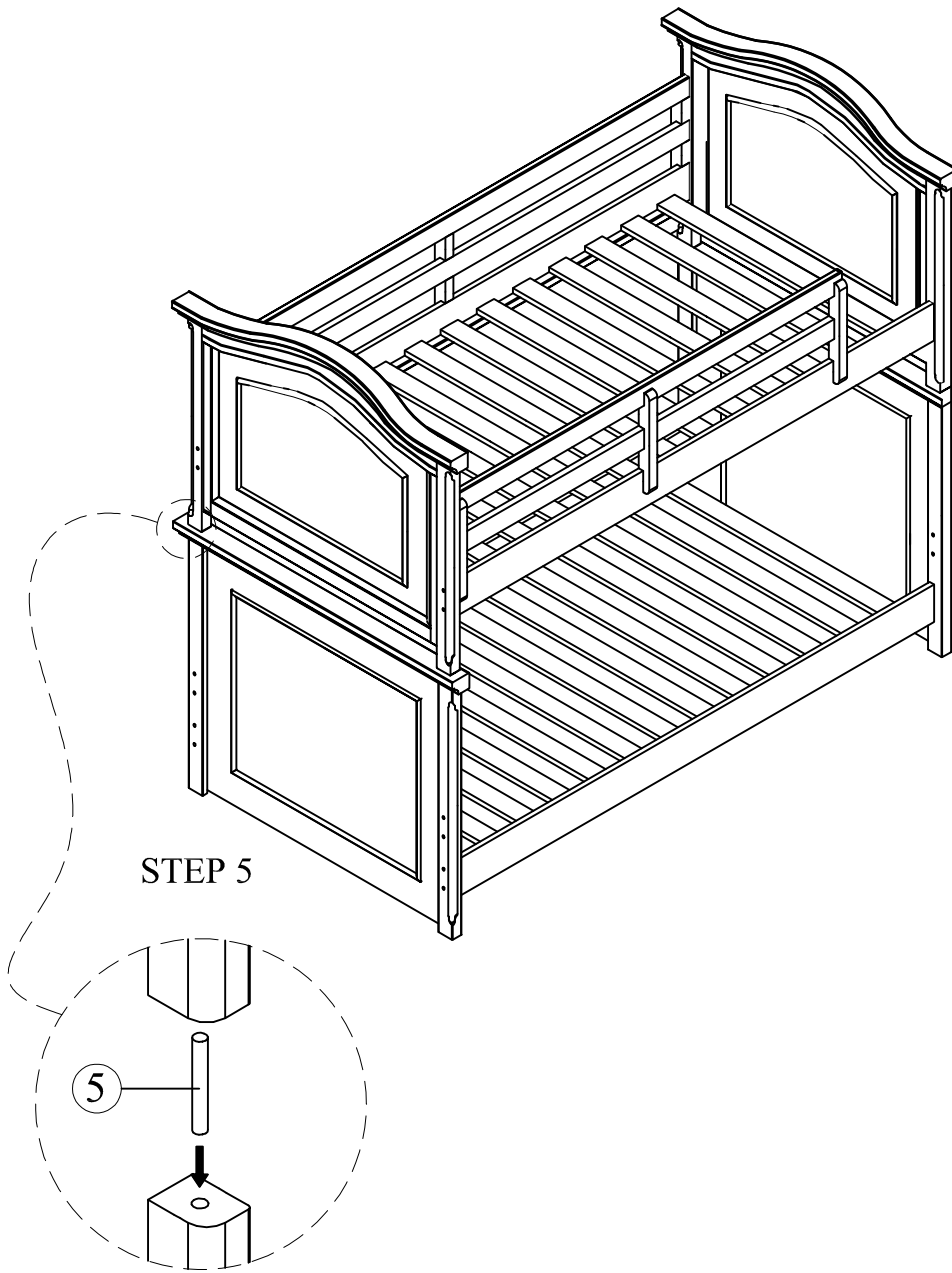
CAUTION: Do not attempt to move the bed when fully assembled. This could result in damage to the rails, headboard, or footboard.





ASSEMBLY INSTRUCTIONS  
ITEM NO: 305-S903-846/731/732/SLATR-46  
DESCRIPTION: 4/6 BUNK BED

CAUTION: Do not attempt to move the bed when fully assembled. This could result in damage to the rails, headboard, or footboard.



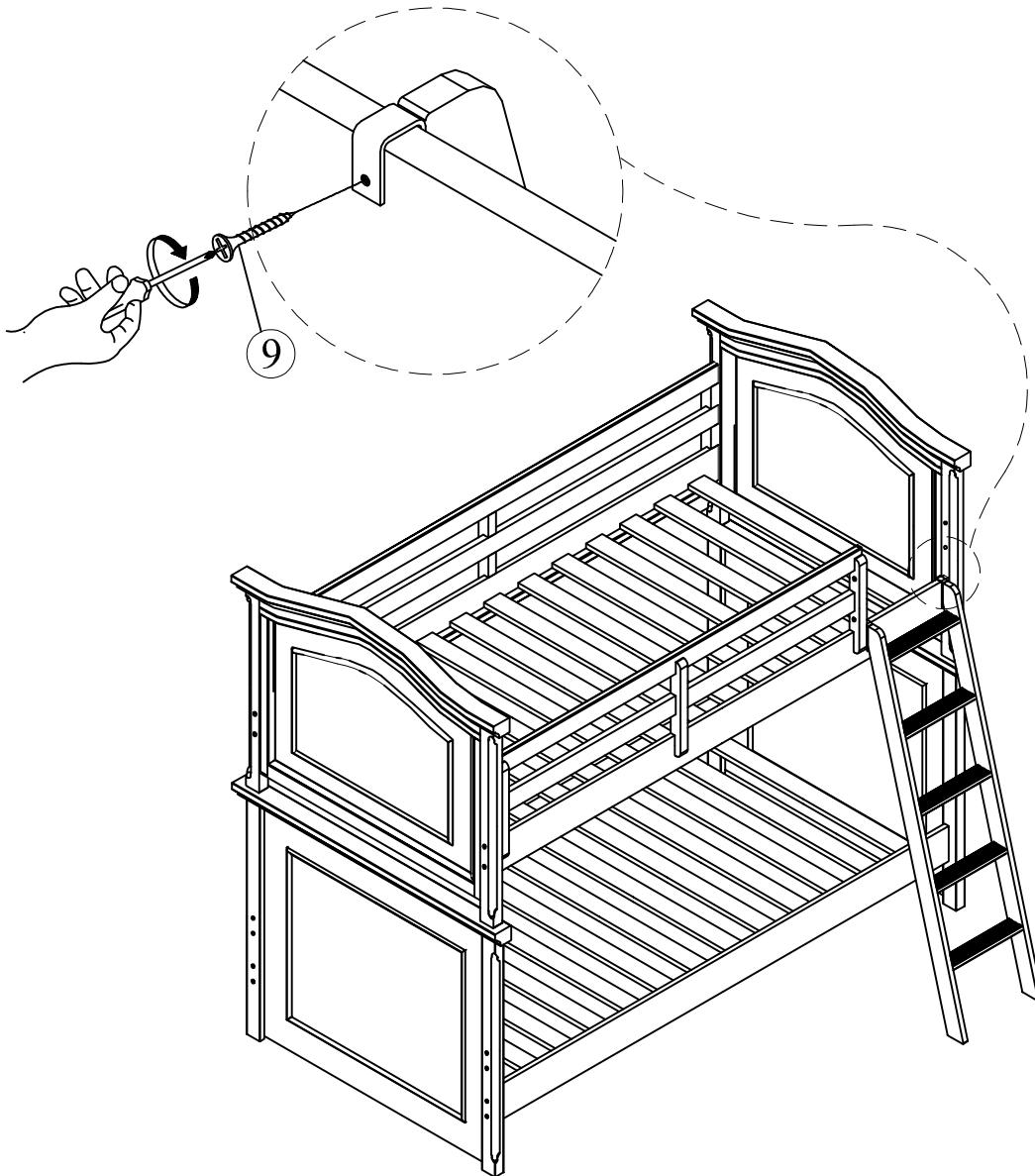




ASSEMBLY INSTRUCTIONS  
ITEM NO: 305-S903-846/731/732/SLATR-46  
DESCRIPTION: 4/6 BUNK BED

**CAUTION:** Do not attempt to move the bed when fully assembled. This could result in damage to the rails, headboard, or footboard.

STEP 6

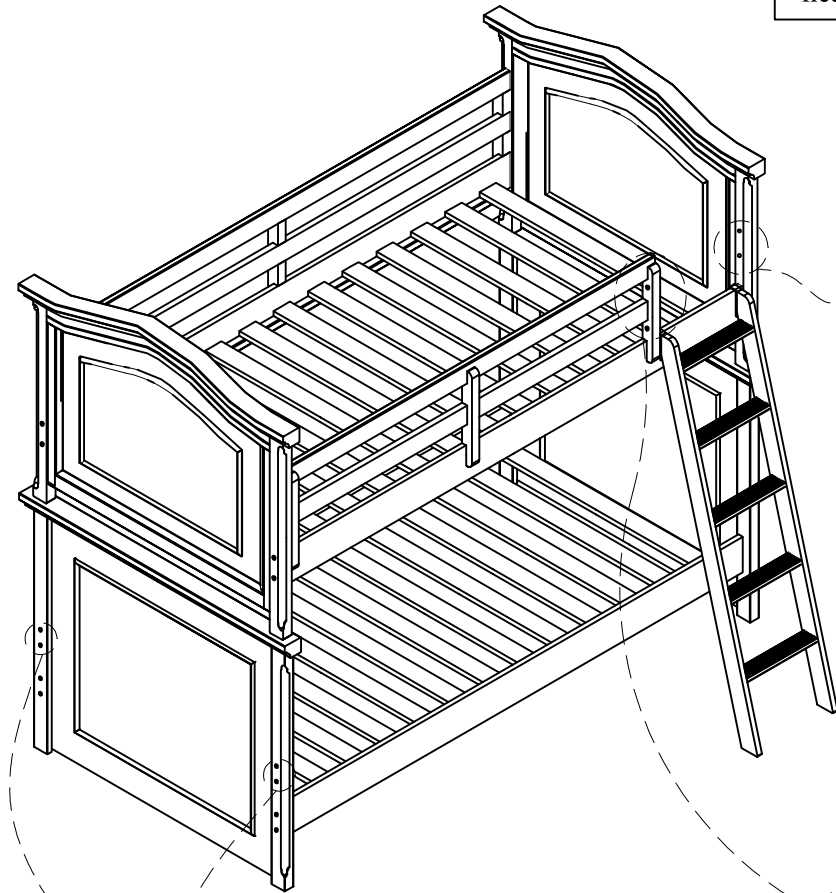




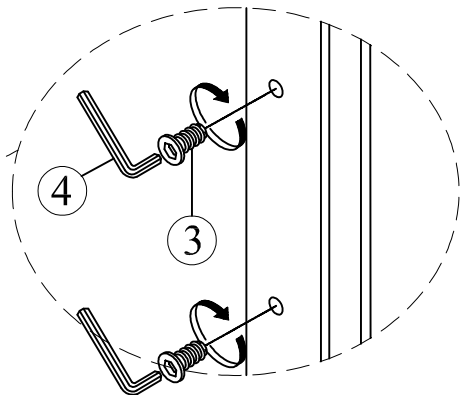
ASSEMBLY INSTRUCTIONS  
ITEM NO: 305-S903-846/731/732/SLATR-46  
DESCRIPTION: 4/6 BUNK BED

OPTION 1

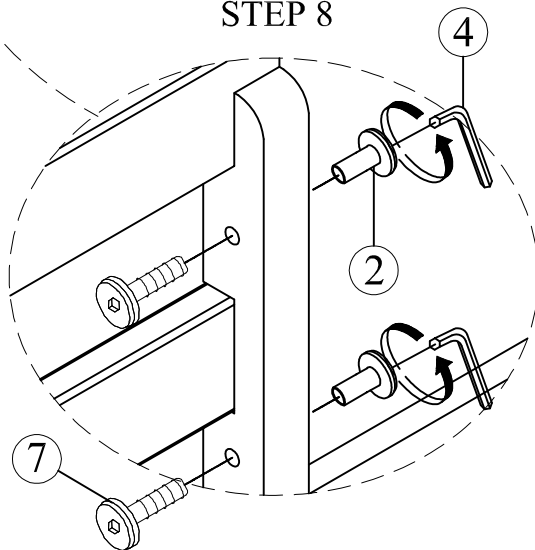
CAUTION: Do not attempt to move the bed when fully assembled. This could result in damage to the rails, headboard, or footboard.



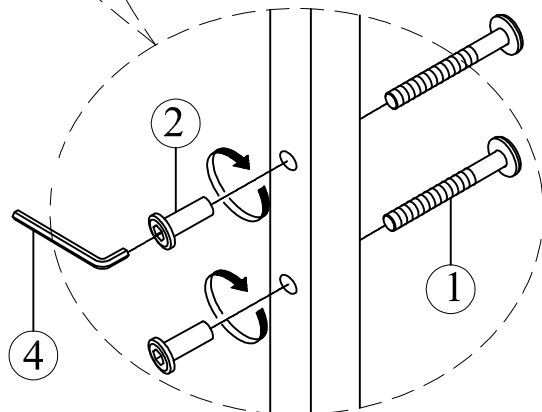
STEP 7



STEP 8



STEP 9





LIVING SPACES

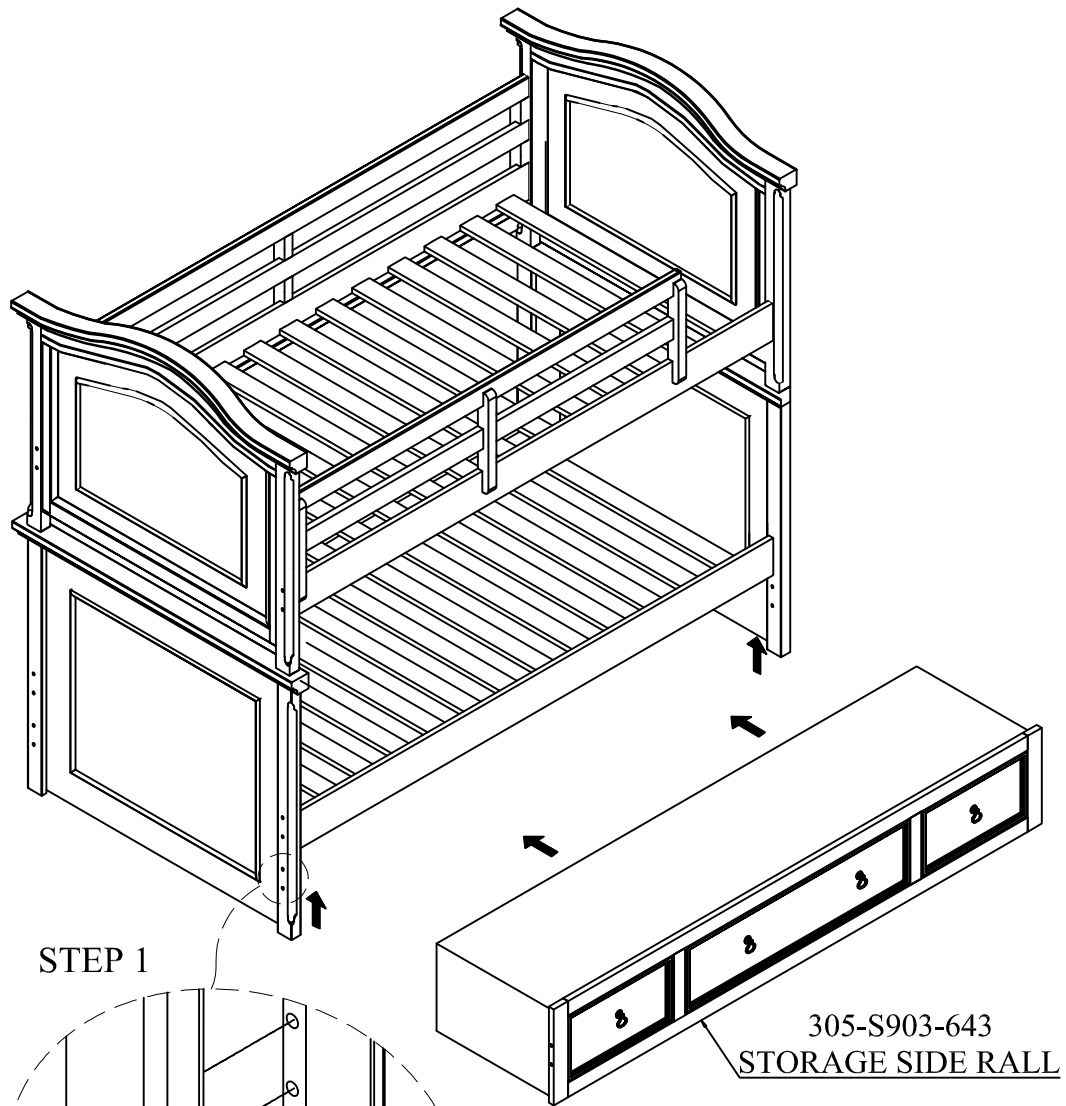
ASSEMBLY INSTRUCTIONS

ITEM NO: 305-S903-846/731/732/643/SLATR-46

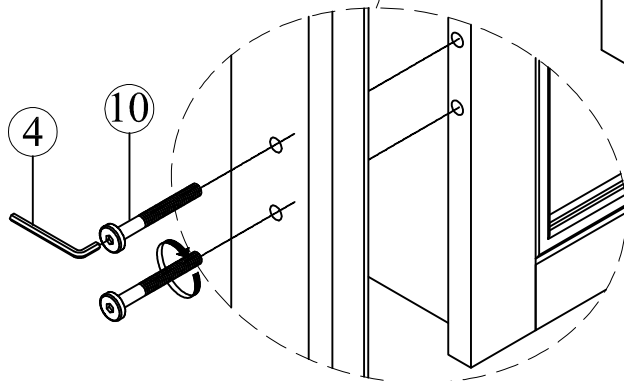
DESCRIPTION: 4/6 BUNK BED & STORAGE RAIL

OPTION 2

CAUTION: Do not attempt to move the bed when fully assembled. This could result in damage to the rails, headboard, or footboard.



STEP 1





LIVING SPACES

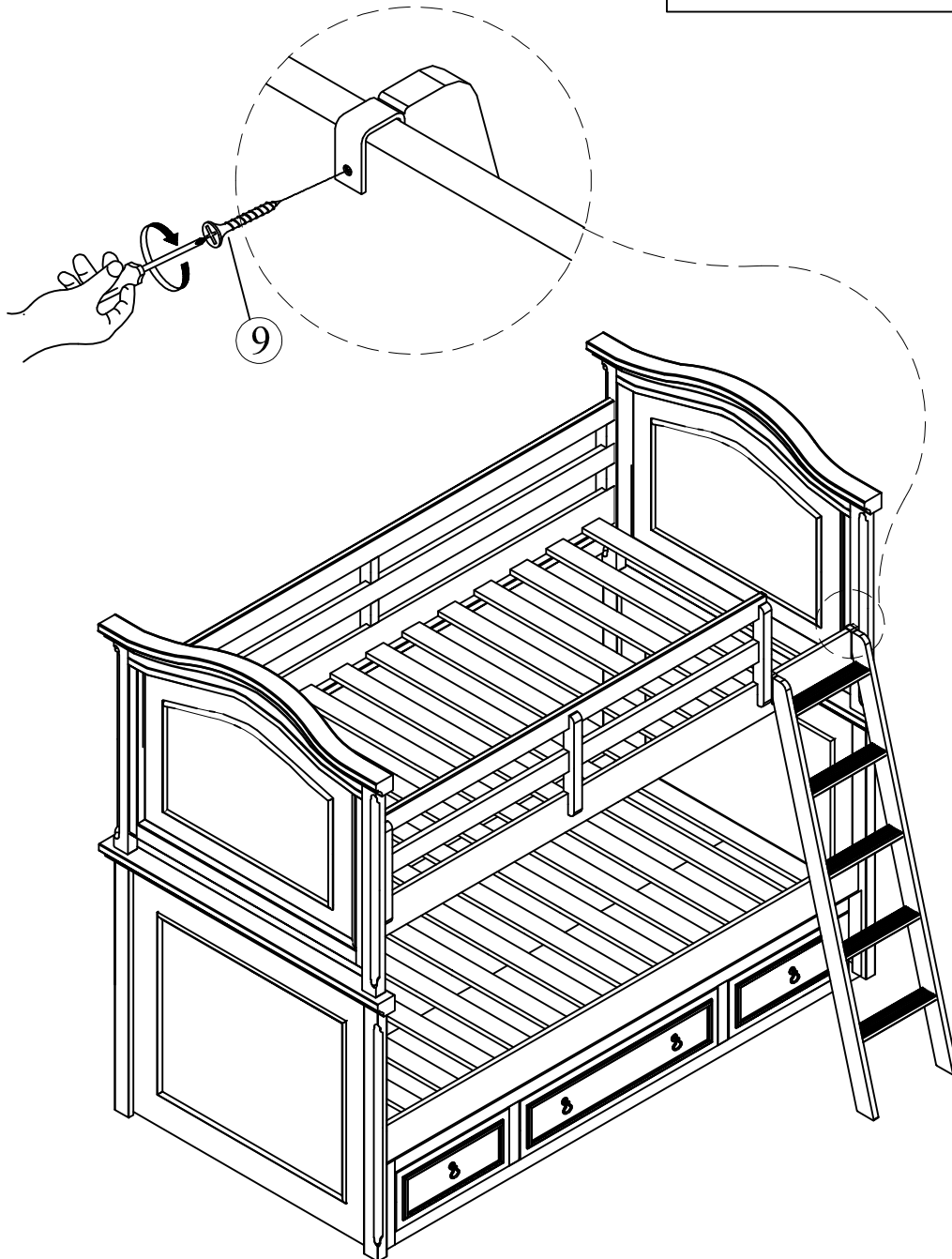
ASSEMBLY INSTRUCTIONS

ITEM NO: 305-S903-846/731/732/643/SLATR-46

DESCRIPTION: 4/6 BUNK BED & STORAGE RAIL

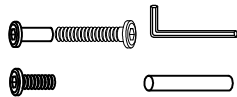
CAUTION: Do not attempt to move the bed when fully assembled. This could result in damage to the rails, headboard, or footboard.

STEP 2

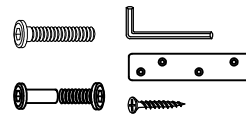




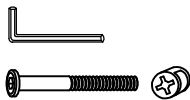
REPLACEMENT PARTS  
 ITEM NO: 305-S903-846/731/732/643/SLATR-46  
 DESCRIPTION: 4/6 BUNK BED & STORAGE RAIL



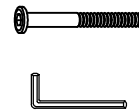
x1 RS903-846-HWKIT  
 Hardware kit



x1 RS903-731-HWKIT  
 Hardware kit



x1 RS903-732-HWKIT  
 Hardware kit



x1 RS903-643-HWKIT  
 Hardware kit



x3 COMGLIDE-10-45  
 Common Glide 10in-45mm



x4 RS903-410-PULL  
 Pull with screw