



ASSEMBLY INSTRUCTIONS

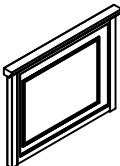


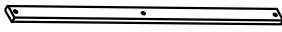
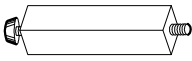
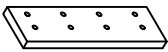
ITEM 305-S903-750/751




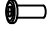




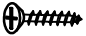
DAYBED

Thank you for purchasing this quality product. Be sure to check all packing material carefully for small hardware which may have come loose inside the carton during shipment. Identify and count all hardware and compare with the hardware list below.

When placing furniture on non-carpeted flooring, HMI recommends the use of floor protection such as an area rug or furniture pads. Area rugs and padding not included with purchase.

TOOL REQUIRED (NOT PROVIDED):
PHILLIPS SCREW DRIVER 

PARTS LIST			
NO.	Description	Sketch	Q.ty
1	Daybed Ends (Left/Right)		2
2	Daybed Back		1
3	Side Rails		2
4	Slats		5
5	Slat Support Leg		5
6	Slat Support		2

HARDWARE LIST			
NO.	Description	Sketch	Q.ty
A	Allen Bolt Ø 5/16" x 3-9/16"		8
B	Barrel Nut Ø 5/16"		8
C	Allen Bolt Ø 1/4" x 1-3/8"		8
D	D-nut Ø 1/4" x 13/16"		8
E	Allen Bolt Ø 5/16" x 1-1/2"		16
F	Spring washer Ø 5/16" x Ø13		16
G	Flat washer Ø 5/16" x Ø19		16
H	Allen wrench (4mm)		1
I	Wood Screw M4x35mm		10



Item: 305-S903-750/751
 Description: Daybed Without Storage

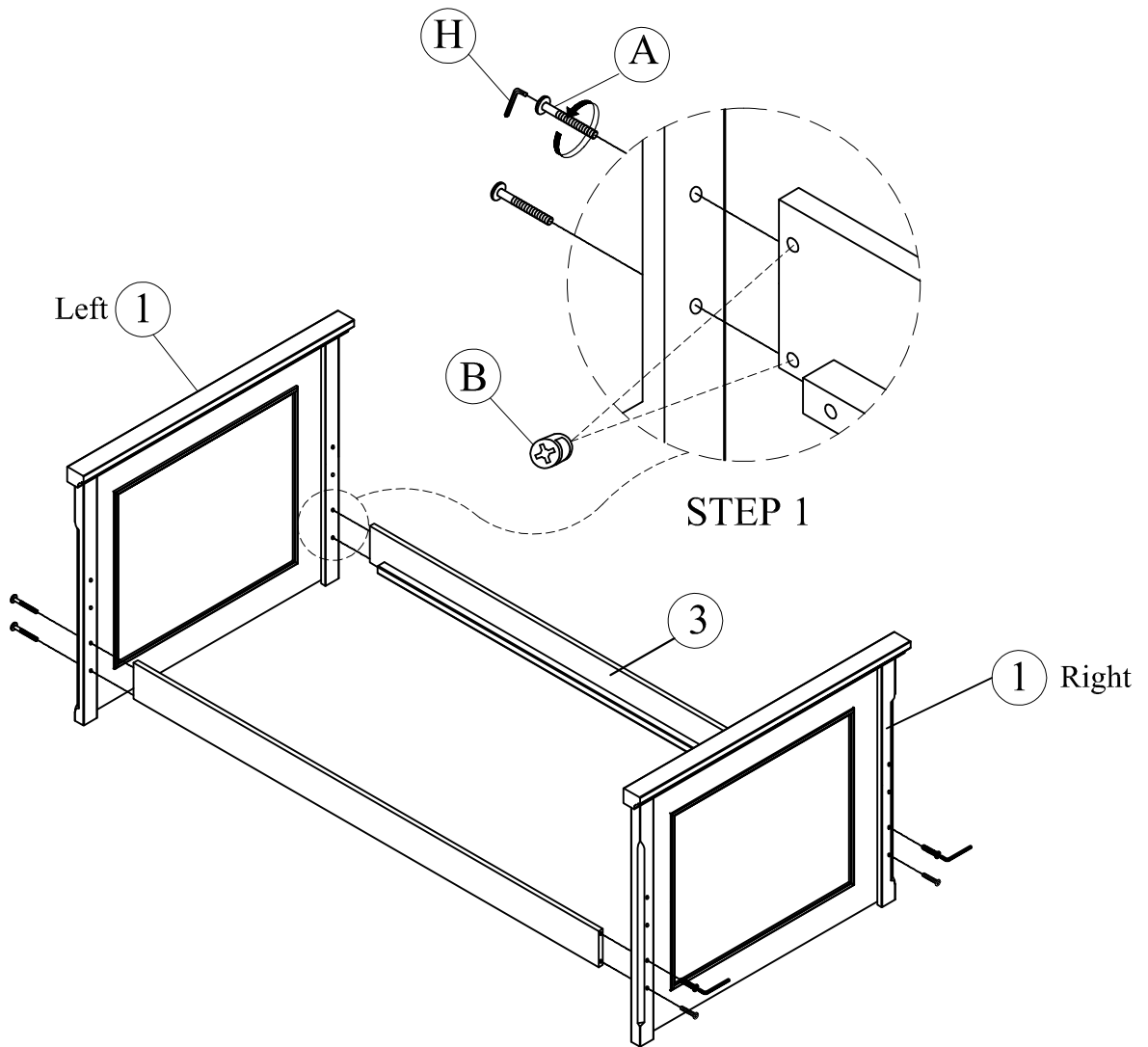


Item: 305-S903-750/751/643/SLATR-33
 Description: Daybed With Storage

ASSEMBLY INSTRUCTIONS

ITEM 305-S903-750/751
DAYBED WITHOUT STORAGE

CAUTION: Do not attempt to move the bed when fully assembled. This could result in damage to the rails, headboard, or footboard.

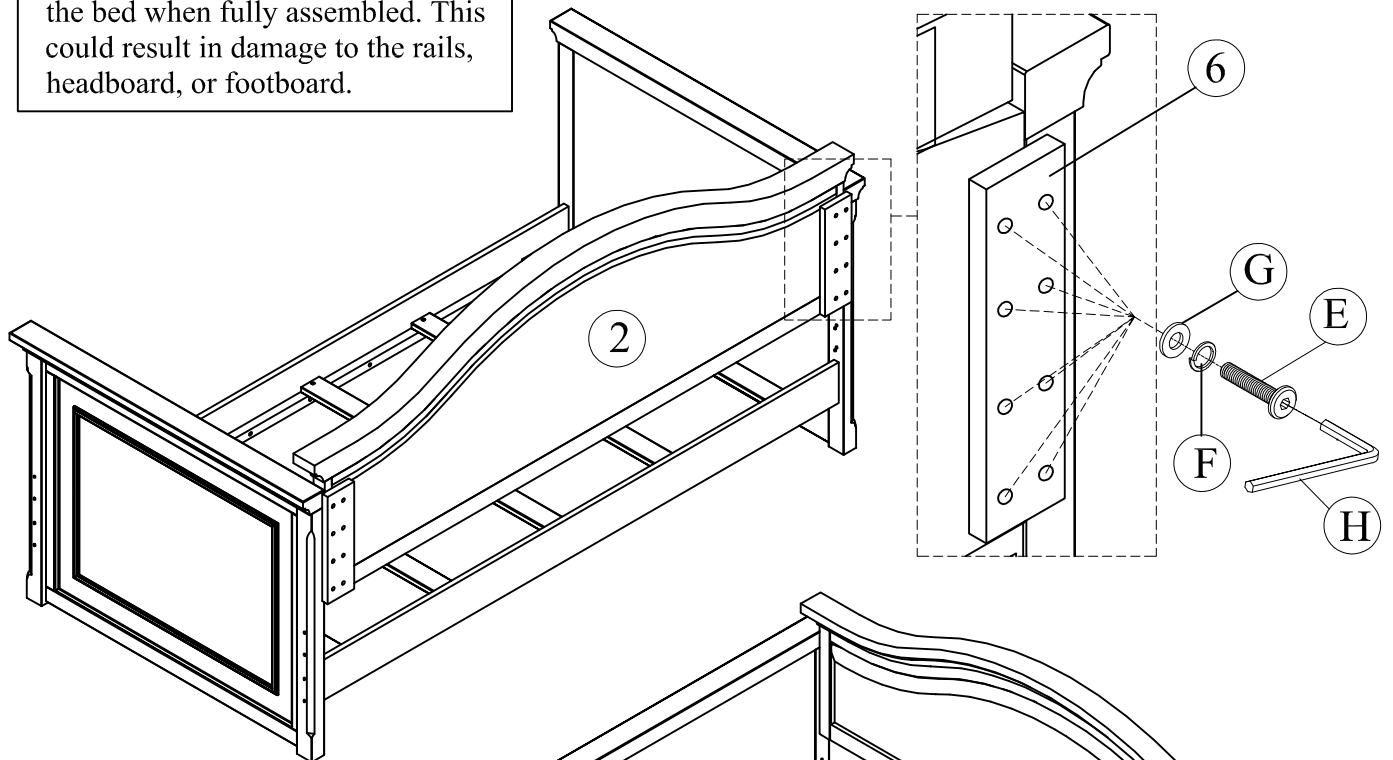


ASSEMBLY INSTRUCTIONS

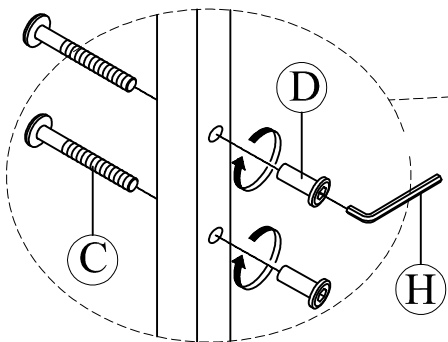
ITEM 305-S903-750/751
 DAYBED WITHOUT STORAGE

CAUTION: Do not attempt to move the bed when fully assembled. This could result in damage to the rails, headboard, or footboard.

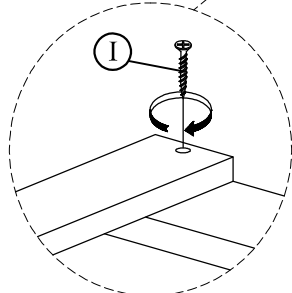
STEP 2



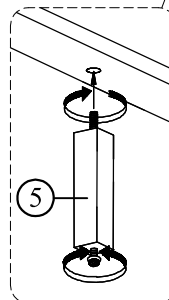
STEP 5



STEP 4



STEP 3

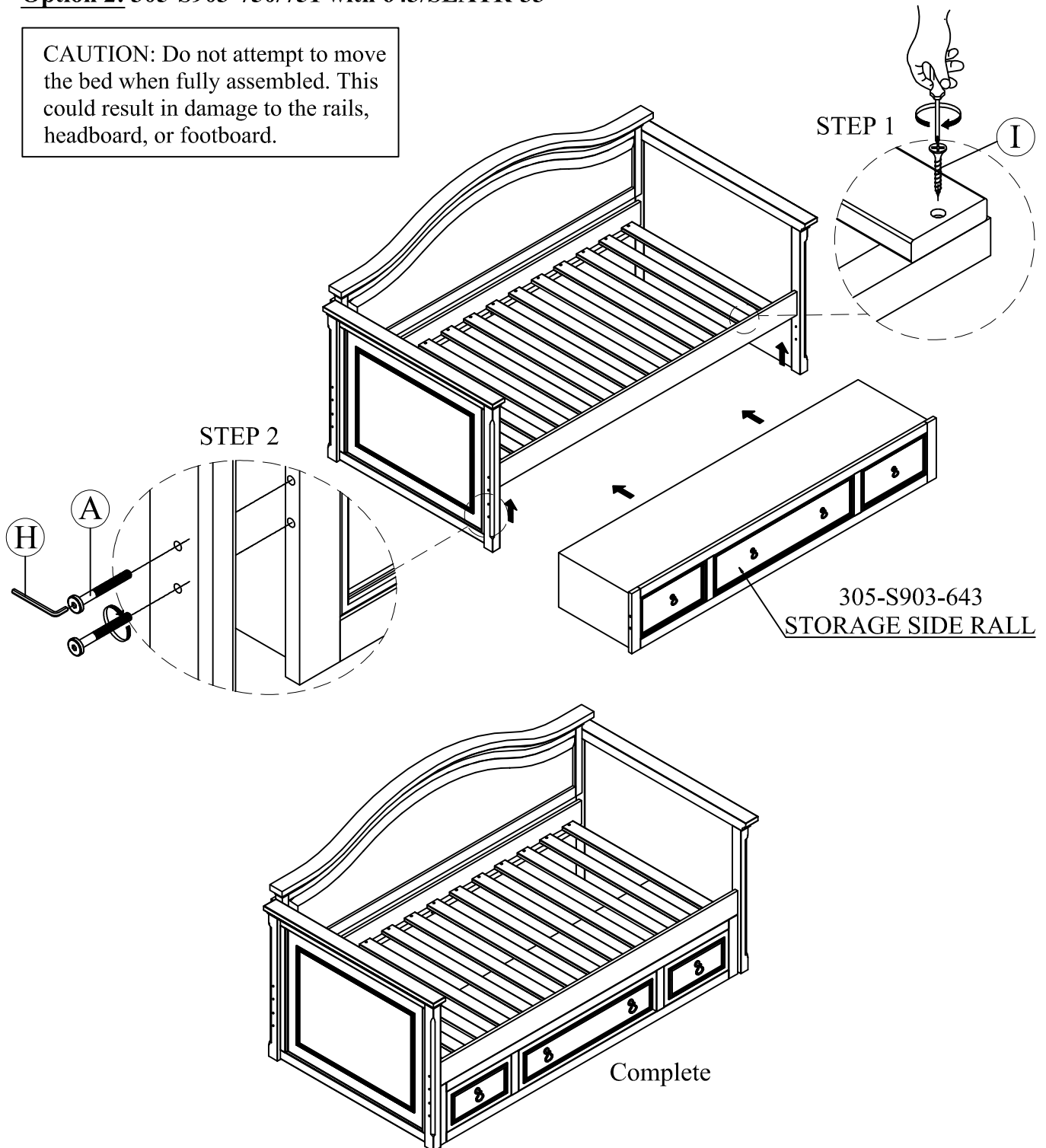


ASSEMBLY INSTRUCTIONS

ITEM 305-S903-750/751/643/SLATR-33
 DAYBED WITH STORAGE

Option 2: 305-S903-750/751 with 643/SLATR-33

CAUTION: Do not attempt to move the bed when fully assembled. This could result in damage to the rails, headboard, or footboard.



REPLACEMENT PARTS

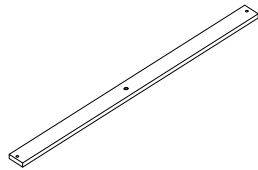
ITEM 305-S903-750/751
DAYBED



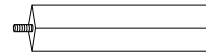
x1 RS903-751-HWKIT
Hardware kit



x10 RS903-531-SCREW
Screw



x5 RS903-533- SLAT
Slat



x5 RS903-750- SULEG
Slat Support Leg