



LIVING SPACES

ASSEMBLY INSTRUCTIONS

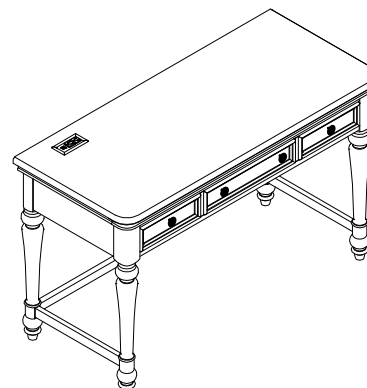
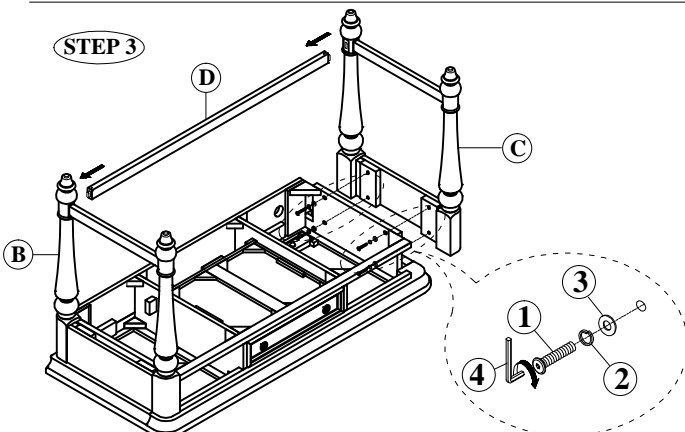
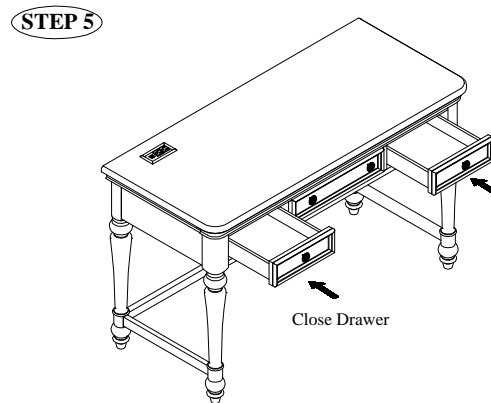
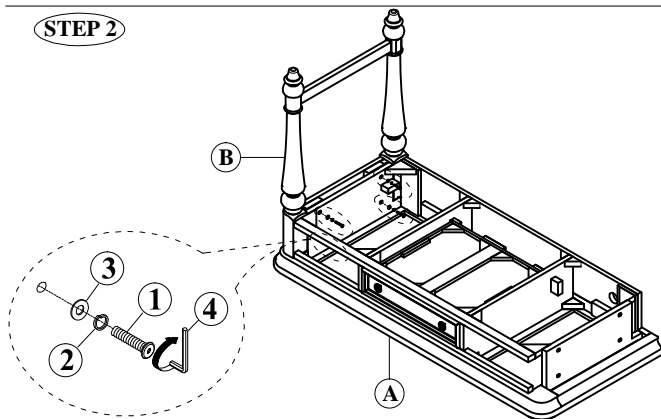
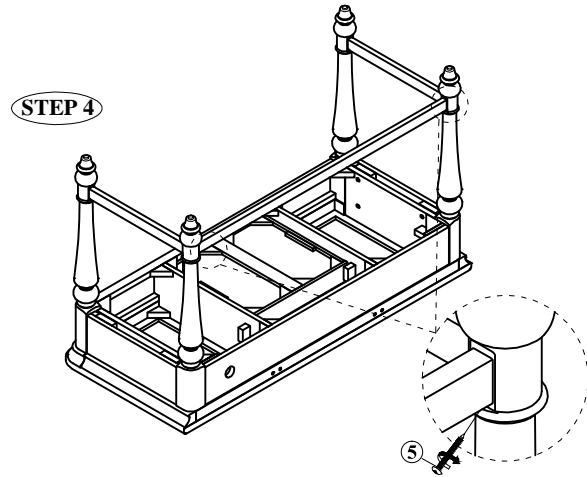
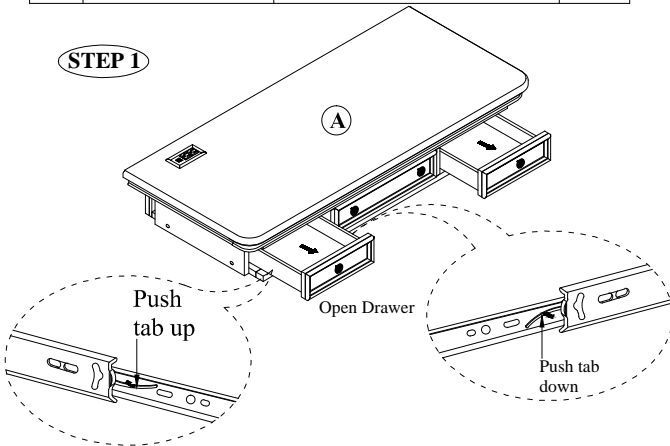
ITEM : 305-S362-414

DESK W/ TURN BUCKLE BASE

Thank you for purchasing this quality product. Be sure to check all packing material carefully for small Hardware which may have come loose inside the carton during shipment. Identify and count all Hardware and compare with the Hardware List Below.

PART LIST			
No.	Drawing	Descriptions	Qty.
A		Top Desk	1 PC
B		Right Frame Desk	1 PC
C		Left Frame Desk	1 PC
D		Back Bottom Rail	1 PC

HARDWARE LIST				
No.	Drawing	Descriptions	Size	Qty.
1		Bolt	1/4" x 40 x 1*9/16"	8 PCS
2		Lock washer	1/4"	8 PCS
3		Flat washer	1/4" x 19mm	8 PCS
4		Allen Key	M4	1 PC
5		P.H Screw	M4 x 45mm	2 PCS



MADE IN VIET NAM