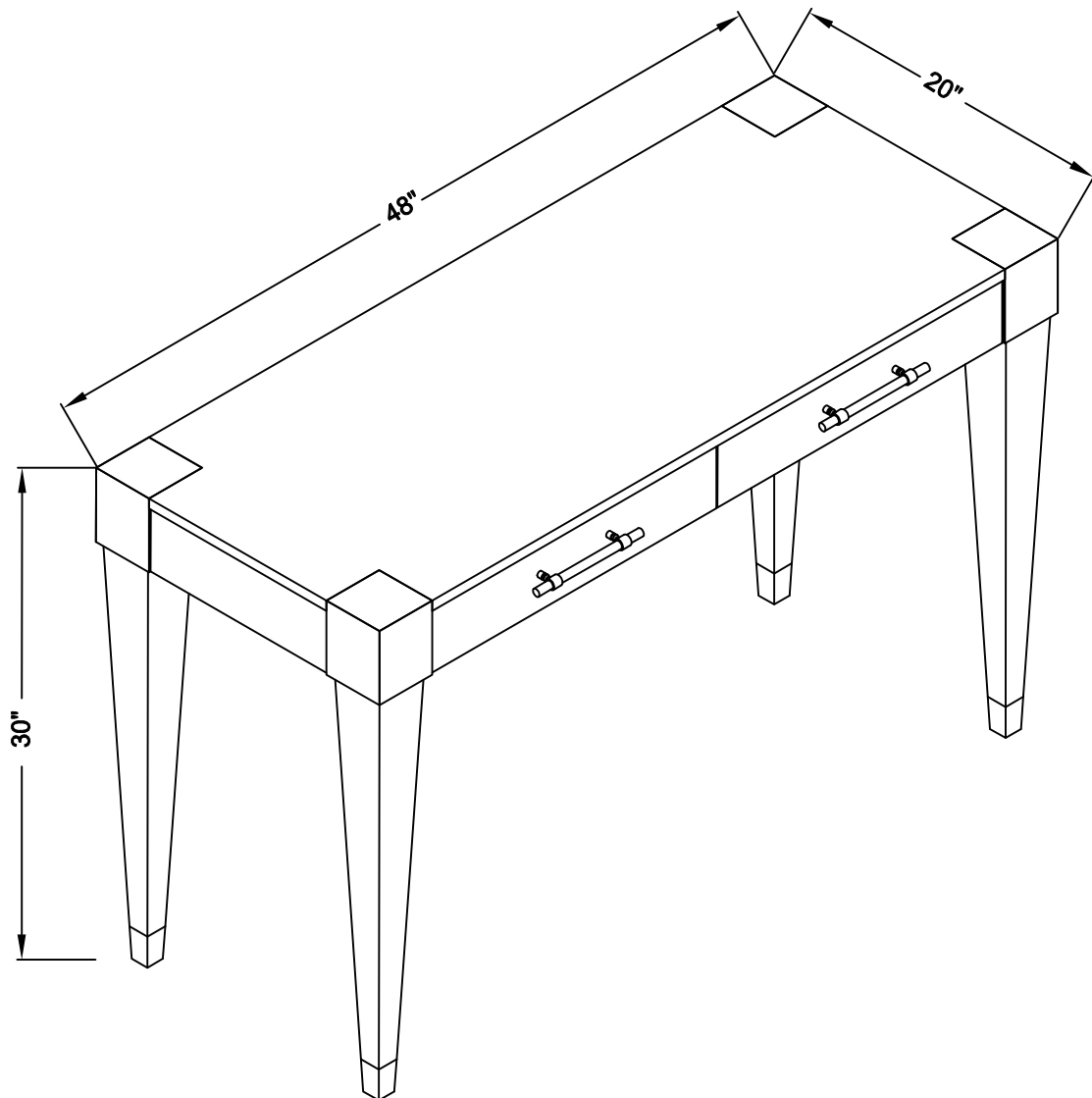


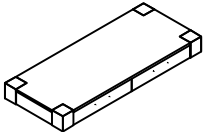

BRANDYSS WORK DESK

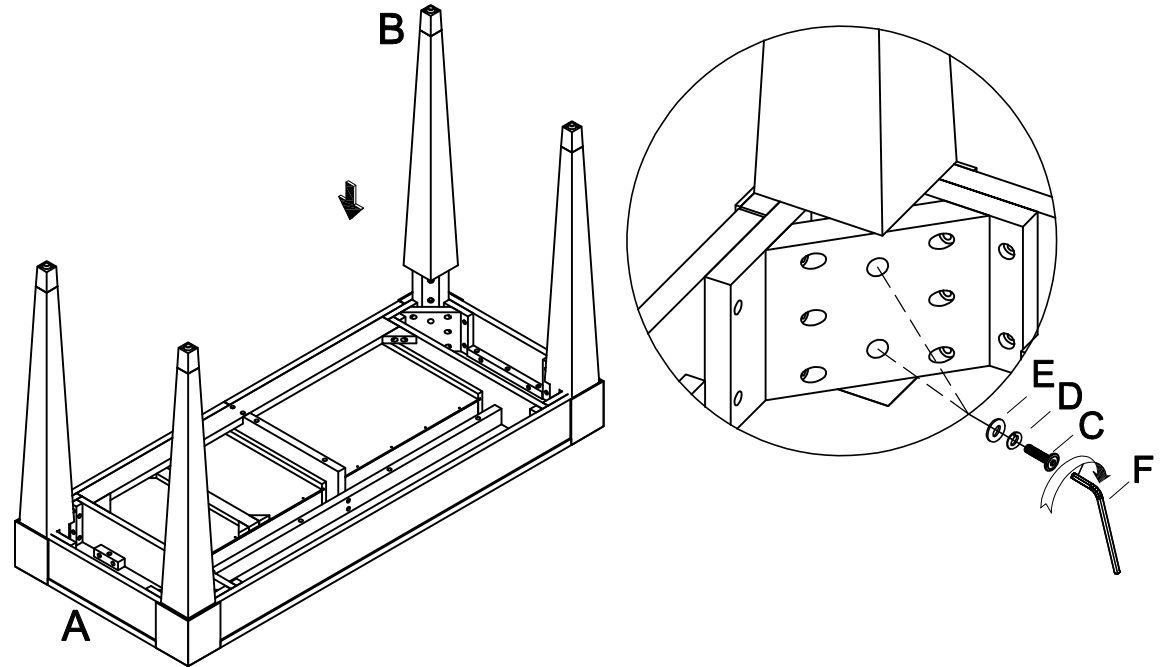
BRANDYSS

ASSEMBLY INSTRUCTIONS

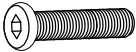





PARTS LIST





LABLE	PICTURE	DESCRIPTION	QTY.
A		TOP	1
B		LEGS	4



HARDWARE

LABLE	PICTURE	DESCRIPTION	QTY.
C		BOLT SCREW 5/16"x50mm	8
D		SPRING WASHER Ø11xØ8x1mm	8
E		FLAT WASHER Ø19xØ8x1mm	8
F		WRENCH M4x60	1

BEFORE BEGINNING ASSEMBLY :

-  Read instructions cover to cover
-  Have two adults on hand for assembly
-  Do NOT assemble on flooring or carpet. Assemble on a clean non-marring surface (ex: packing foam)
-  Save all packaging until assembly is completed

