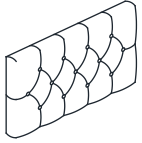


ASSEMBLY INSTRUCTION

ITEM : 5267GY-T

1. HEADBOARD
CUSHION



x 1PC

2. HEADBOARD
LEG (LEFT)



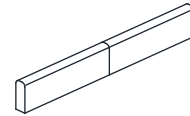
x 1PC

3. HEADBOARD
LEG (RIGHT)



x 1PC

4. FOOTBOARD
CUSHION



x 1PC

5. FOOTBOARD
LEG



x 2PCS

6. SIDE RAIL



x 2PCS

7. SIDE RAIL



x 2PCS

8. SIDE RAIL
SUPPORT LEG



x 2PCS

9. SLAT



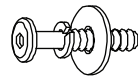
x 4PCS

A. JCBB SCREW
M8 x 20mm



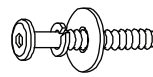
x 8PCS

B. JCBC SCREW
M6 x 25mm
(with washer)



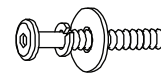
x 8PCS

C. JCBC SCREW
M6 x 35mm
(with washer)



x 6PCS

D. JCBB SCREW
M8 x 35mm



x 4PCS

E. JCBC SCREW
M6 x 70mm



x 2PCS

F. WOOD DOWEL
M8 x 30mm



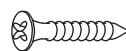
x 2PCS

G. WOOD DOWEL
M10 x 30mm



x 4PCS

H. SCREW
M4 x 32mm



x 8PCS

I. L-KEY
M4 x 100mm



x 1PC

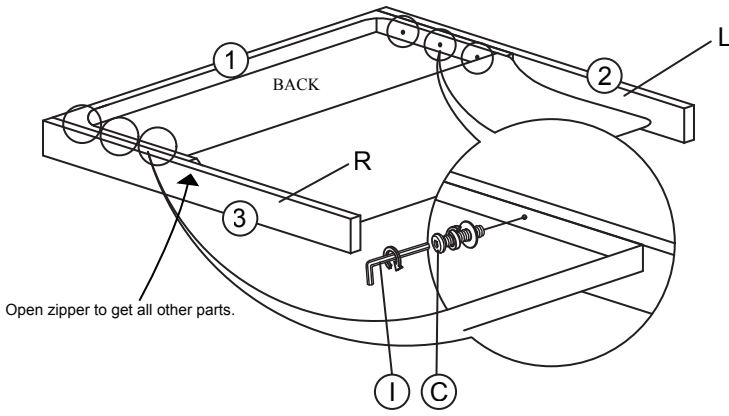
J. L-KEY
M5 x 65mm



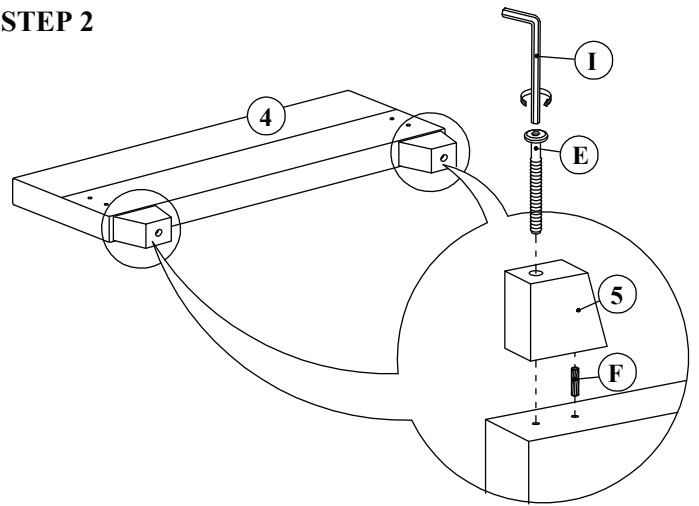
x 1PC

ASSEMBLY INSTRUCTION

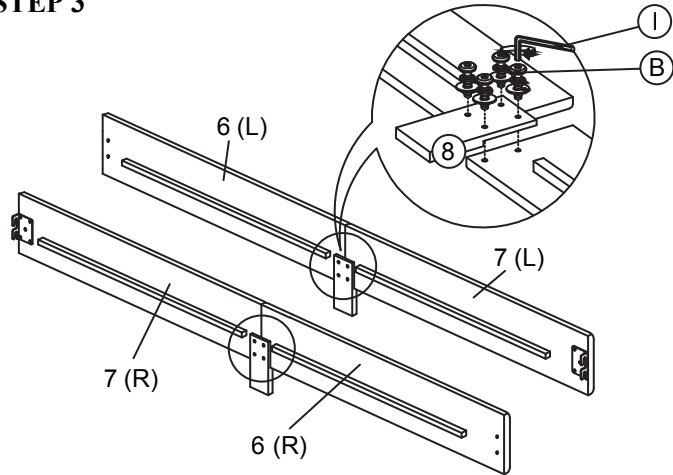
STEP 1



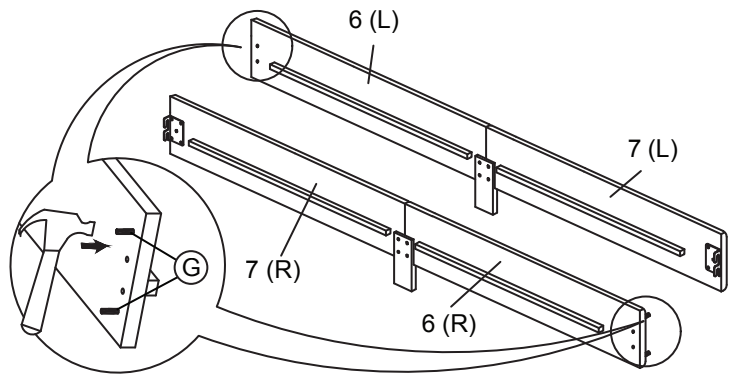
STEP 2



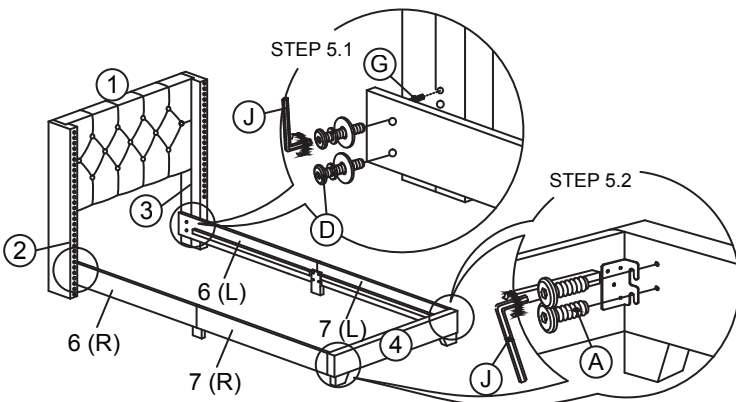
STEP 3



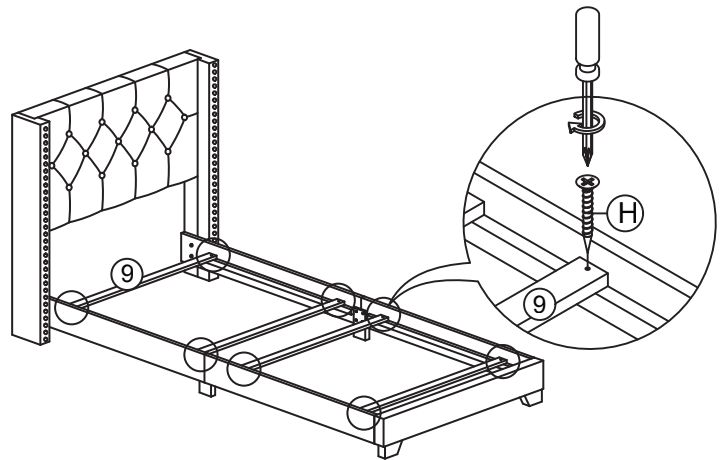
STEP 4



STEP 5



STEP 6



STEP 7

