

ASSEMBLY INSTRUCTIONS

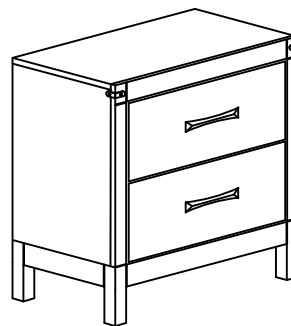
ITEM NO : B3100-2-T
NIGHTSTAND

**BOX OF NIGHTSTAND
NIGHTSTAND**

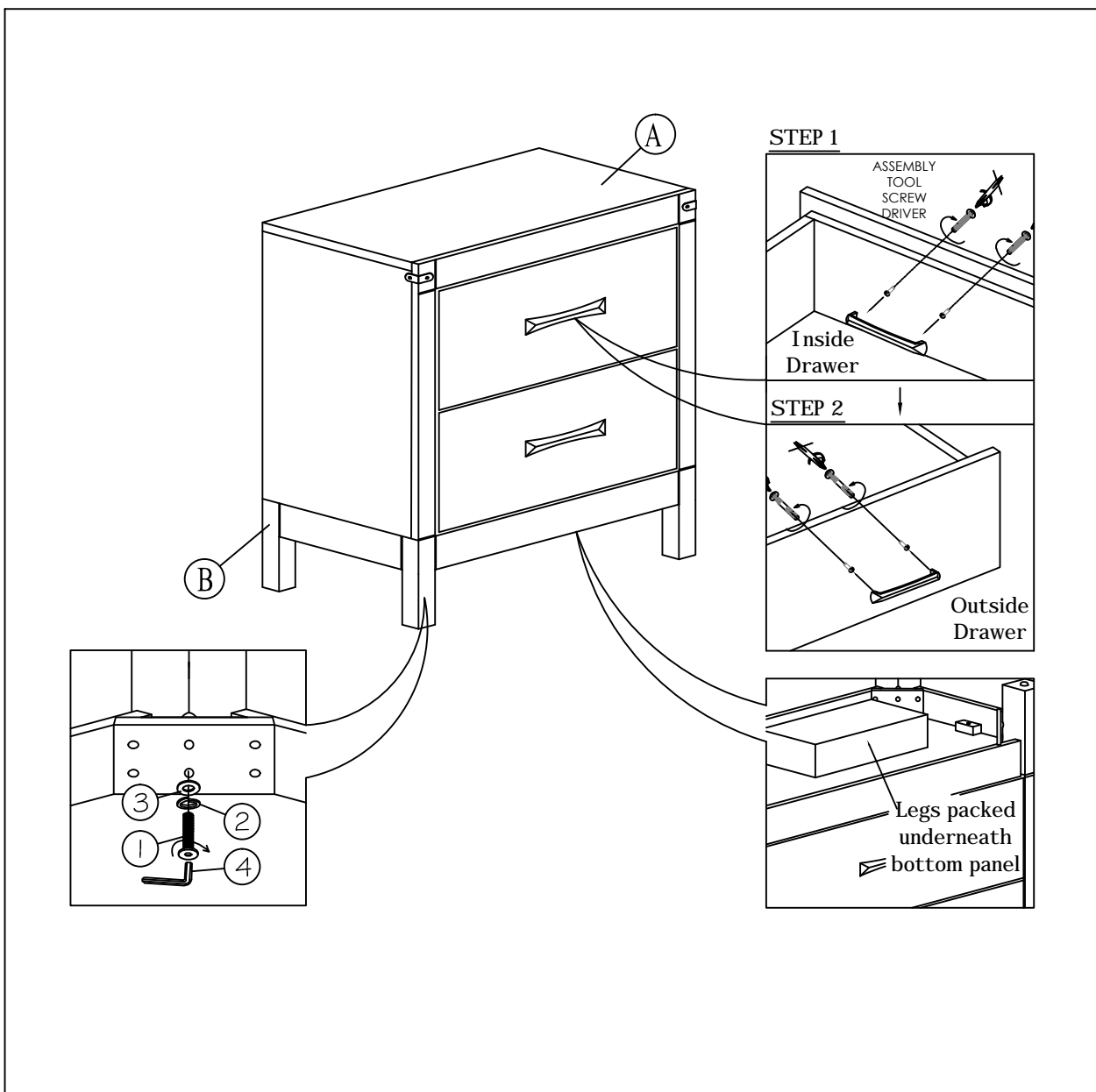
ITEM	DRAWING	DESCRIPTION	QTY
A		NIGHTSTAND	1
B		LEG (Packed underneath bottom panel)	4

**BOX OF NIGHTSTAND
HARDWARE LIST**

ITEM	DRAWING	DESCRIPTION	QTY
1		JCB SCREW (M6 x 50mm)	8
2		SPRING WASHER (M6)	8
3		FLAT WASHER (1/4)	8
4		ALLEN KEY (M4)	1



COMPLETED TWIN BED ASSEMBLY



THE HARDWARE IS LOCATED IN THE PACKING ITEMS

NOTE : MUST TIGHTEN SCREWS PERIODICALLY. WITH USE SCREWS MAY BECOME LOOSE.
CHECK TIGHTNESS OF ALL SCREWS EVERY 6-8 WEEKS.

CLEANING INSTRUCTION

After assembled, clean & polish the completed parts if necessary with soft cloth and industrial recognized furniture polish

MADE IN MALAYSIA