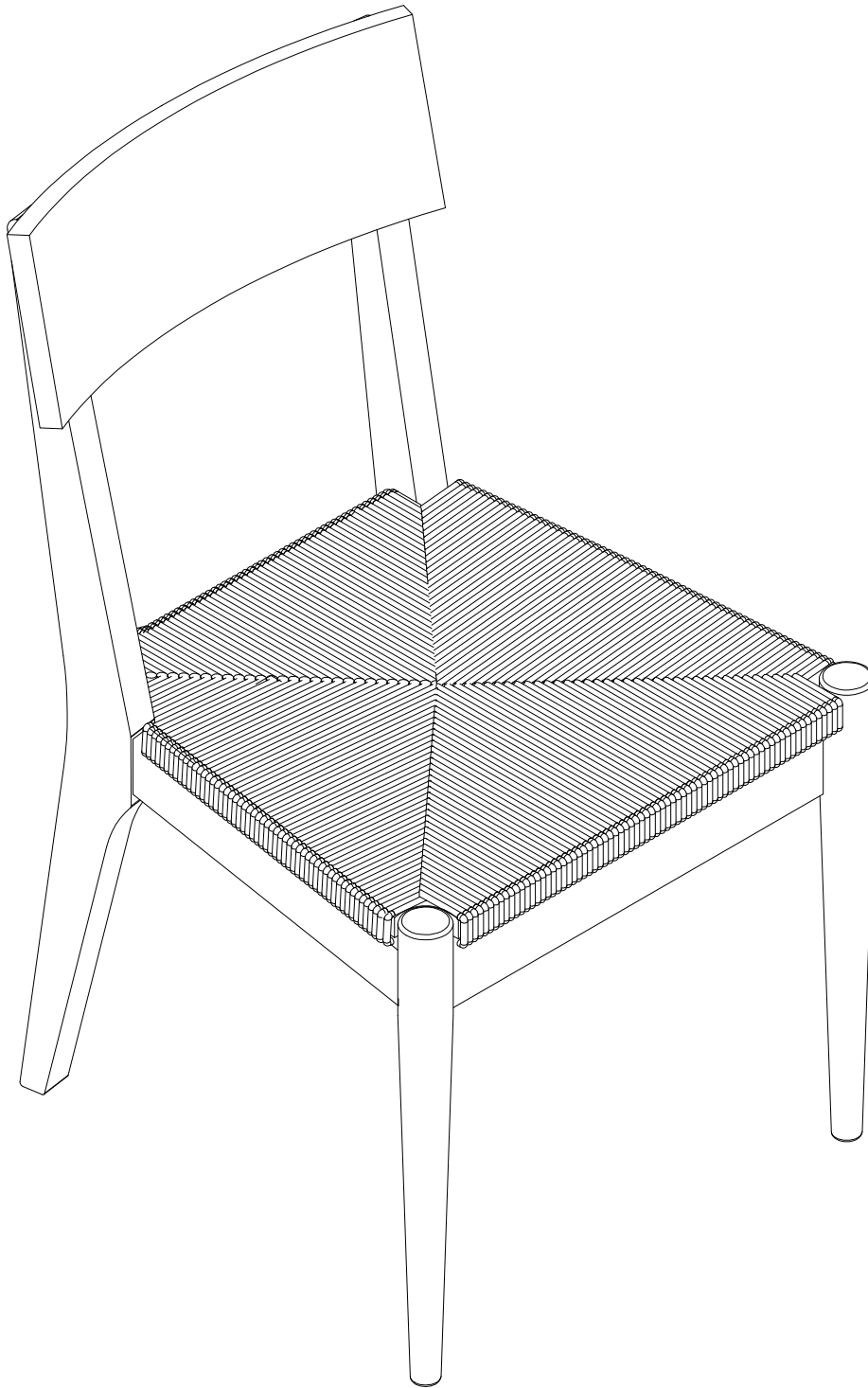
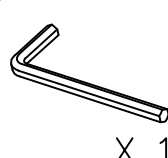


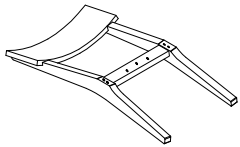
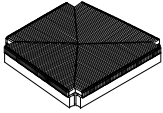
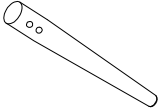
ASSEMBLY INSTRUCTIONS

AUSTEN - DINING CHAIR W/WOVEN SEAT

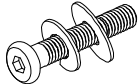
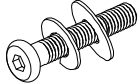
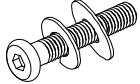
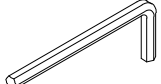
ITEM NO : D2101-227-W SKU:318064



 X 2	 15 min	 X 1
---	---	--

PART	SKU#	IMAGE	DESCRIPTION	QTY
Ⓐ	318064-A-B (BLACK)		Chair Back	1
Ⓑ	318064-B-N (NATURE)		Chair cushion	1
Ⓒ	318064-C-B (BLACK)		Chair Leg	2

Hardware List of Dining Chair W / Woven Seat

PART	SKU#	IMAGE	DESCRIPTION	QTY
①	318064-1(4)		Bolts M4*Ø1/4*80mm	4
②	318064-2(4)		Bolts M4*Ø1/4*60mm	4
③	318064-3(2)		Bolts M4*Ø1/4*38mm	2
④	318064-4(1)		Allen key M4	1

Note: Screwdriver will be prepared by yourself.

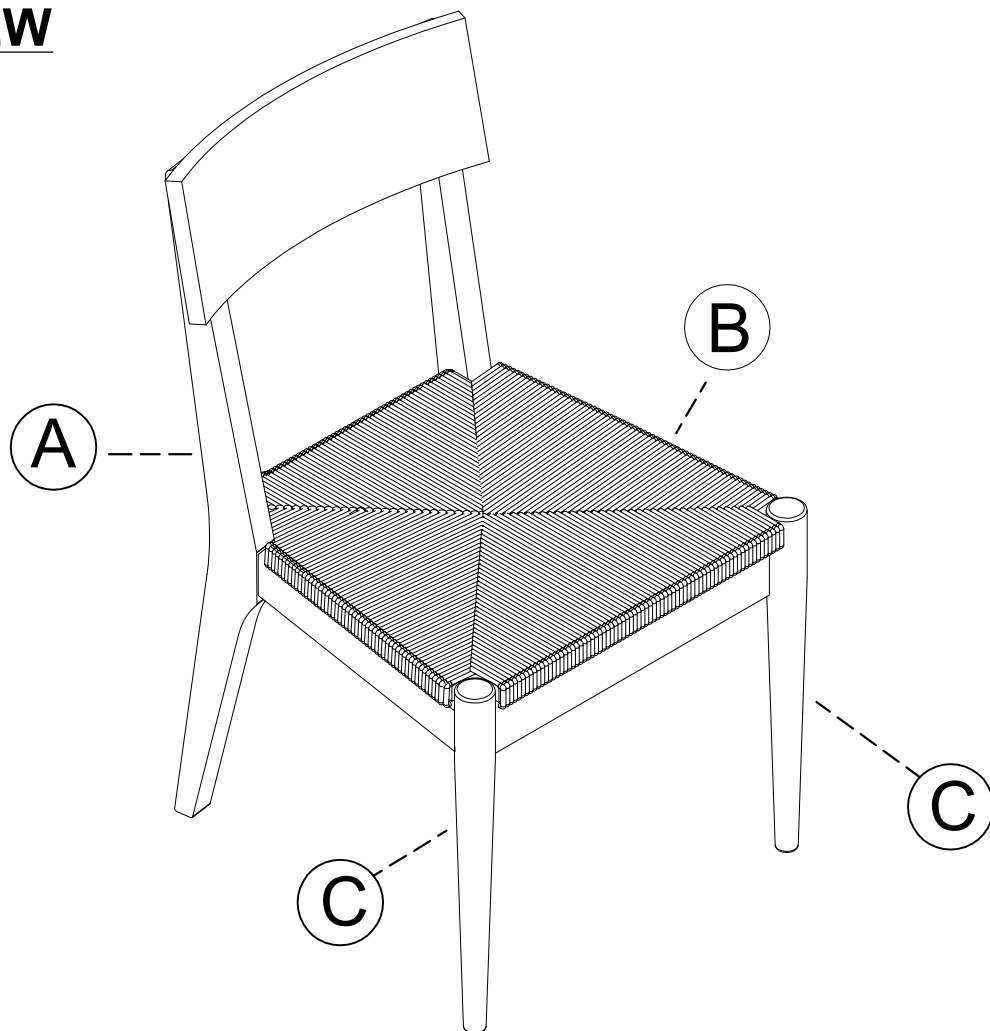
THE HARDWARE IS LOCATED IN THE PACKING ITEM

NOTE: MUST TIGHTEN SCREWS PERIODIACLLY. WITH USE SCREW MAY ENCOME LOOSE CHECK TIGHTNESS OF ALL SCREWS EVERY 6-8 WEEKS.

CLEANING INSTRUCTIONS:

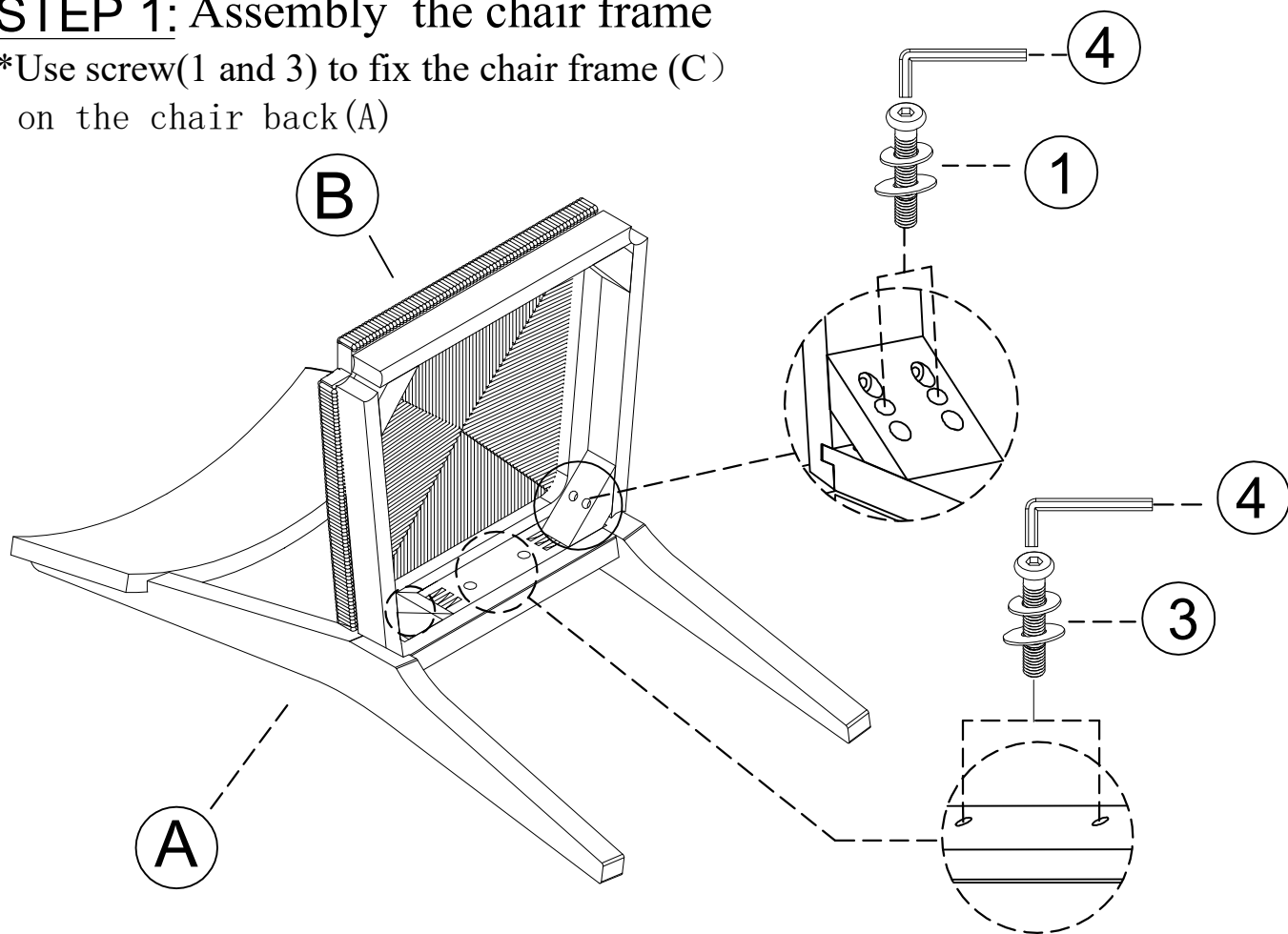
After assembly, clean and polish the completed parts if necessary with soft cloth and industrial recognized furniture polish.

DETAIL VIEW



STEP 1: Assembly the chair frame

*Use screw(1 and 3) to fix the chair frame (C) on the chair back(A)

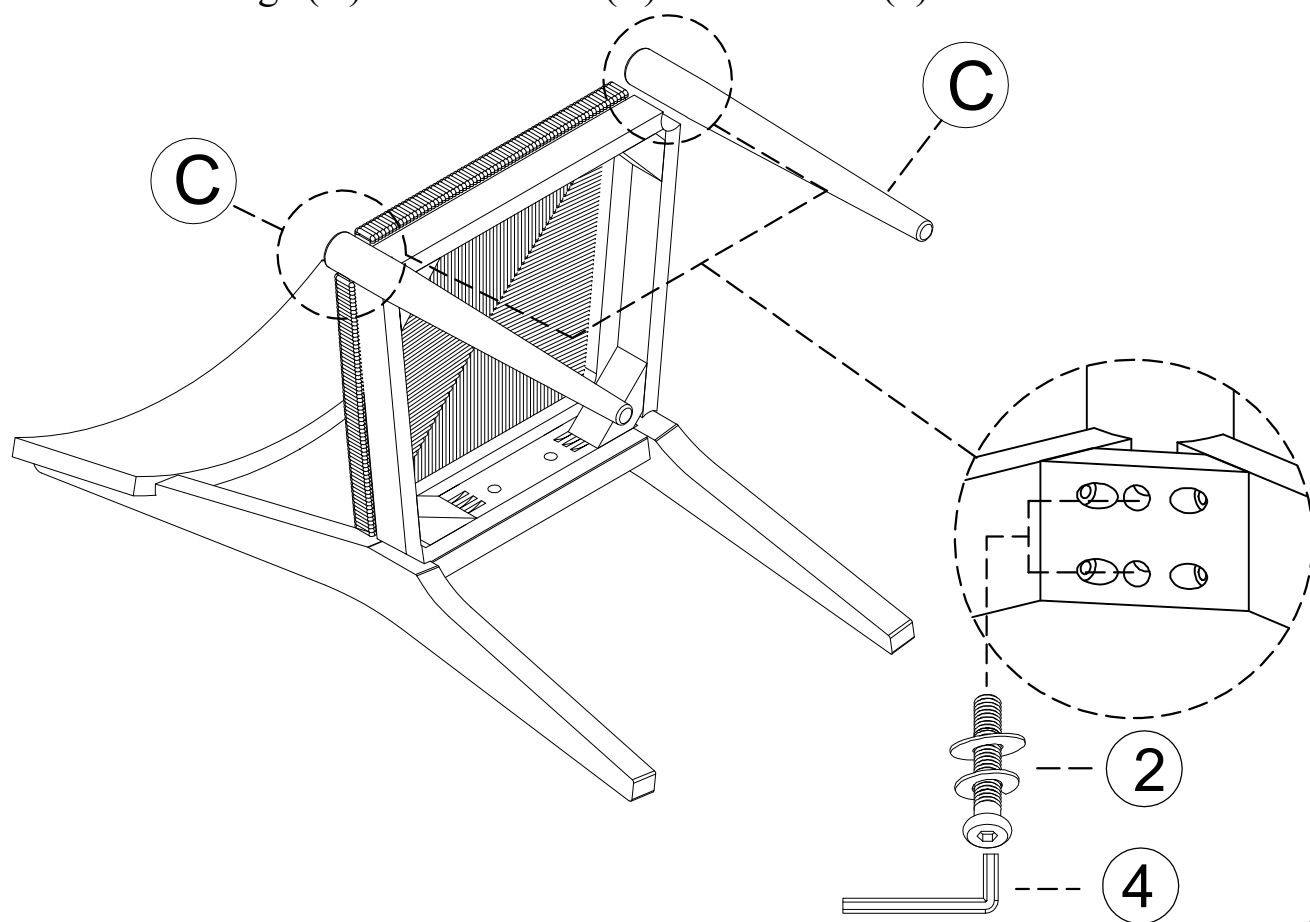


3

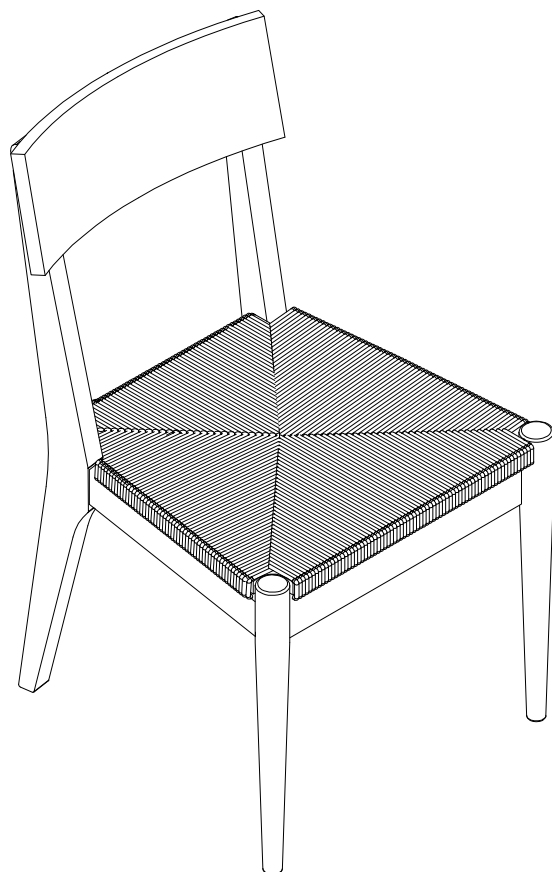
1= 4Pcs
3= 2Pcs

STEP 2: Assembly of the forefoot

*Assemble the legs (A) to chair frame(B) via the screw(2)



2= 4Pcs



***That's it ! You've finished
assembling your item. Thank you!***