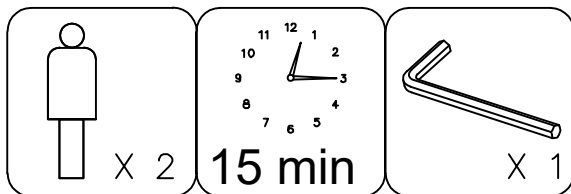
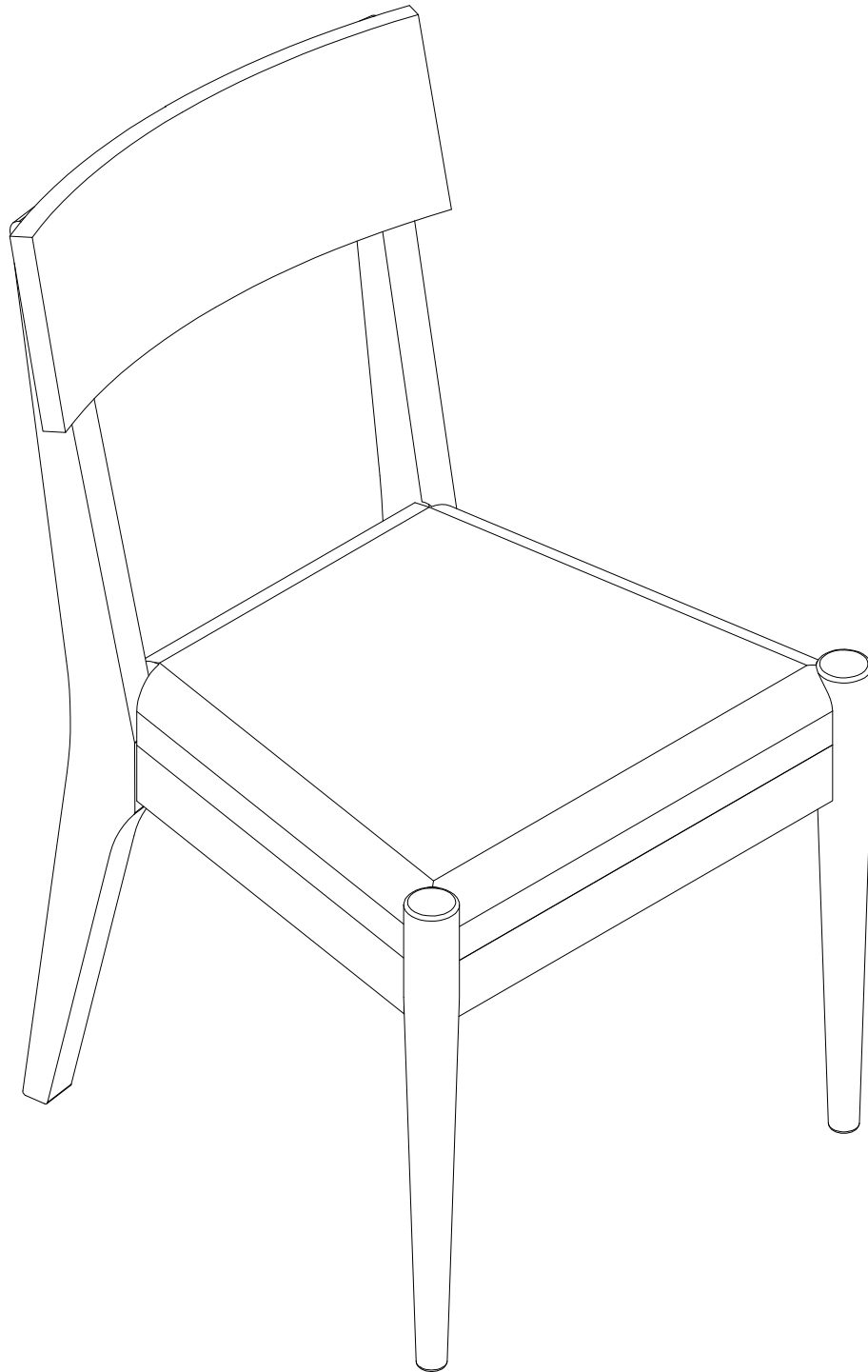
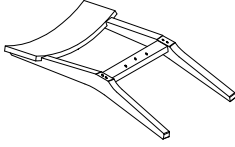
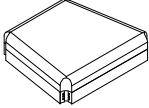
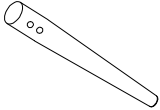


ASSEMBLY INSTRUCTIONS

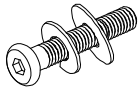
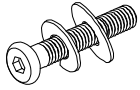
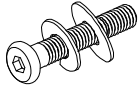
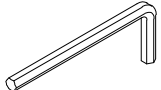
AUSTEN - DINING CHAIR W/UPH SEAT

ITEM NO : D2101-227-F SKU:318063



PART	SKU#	IMAGE	DESCRIPTION	QTY
Ⓐ	318063-A-B (BLACK)		Chair Back	1
Ⓑ	318063-B-B (BLACK)		Chair cushion	1
Ⓒ	318063-C-B (BLACK)		Chair Leg	2

Hardware List of Dining Chair W / Uph Seat

PART	SKU#	IMAGE	DESCRIPTION	QTY
①	318063-1(4)		Bolts M4*Ø1/4*80mm	4
②	318063-2(4)		Bolts M4*Ø1/4*60mm	4
③	318063-3(2)		Bolts M4*Ø1/4*38mm	2
④	318063-4(1)		Allen key M4	1

Note: Screwdriver will be prepared by yourself.

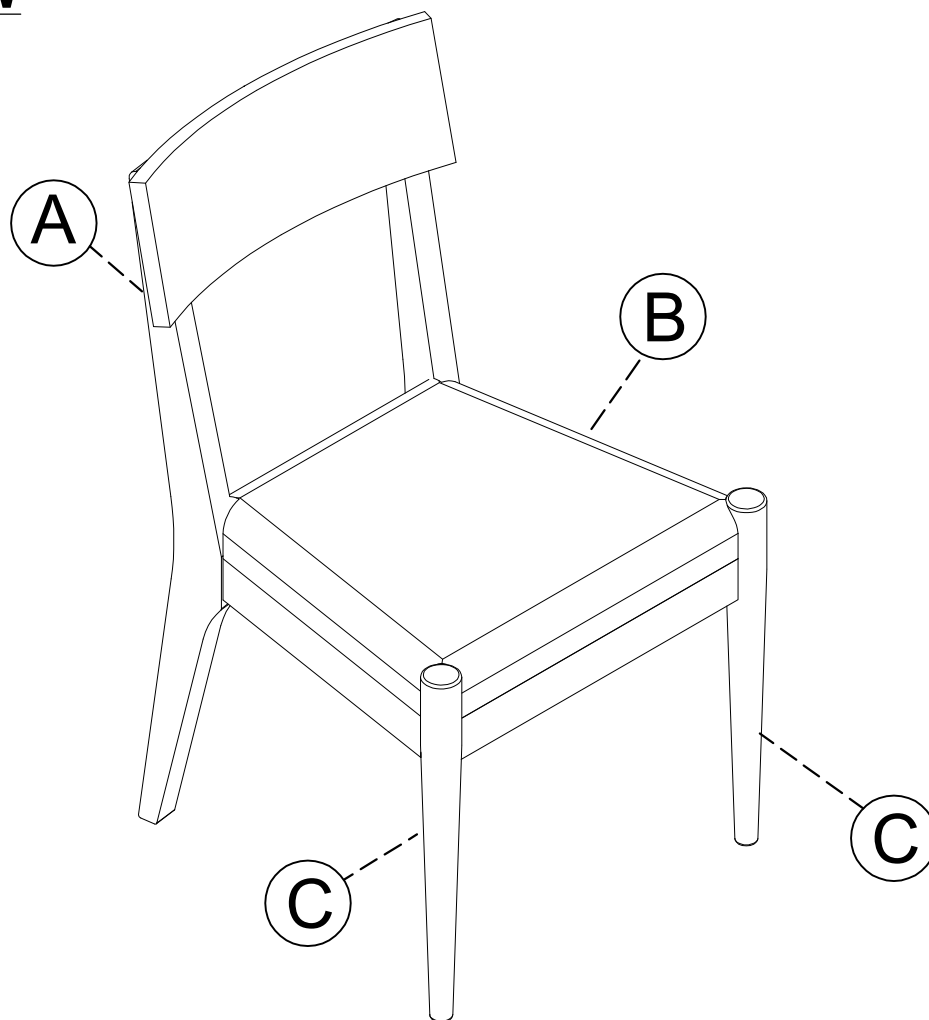
THE HARDWARE IS LOCATED IN THE PACKING ITEM

NOTE: MUST TIGHTEN SCREWS PERIODIACLLY. WITH USE SCREW MAY ENCOME LOOSE CHECK TIGHTNESS OF ALL SCREWS EVERY 6-8 WEEKS.

CLEANING INSTRUCTIONS:

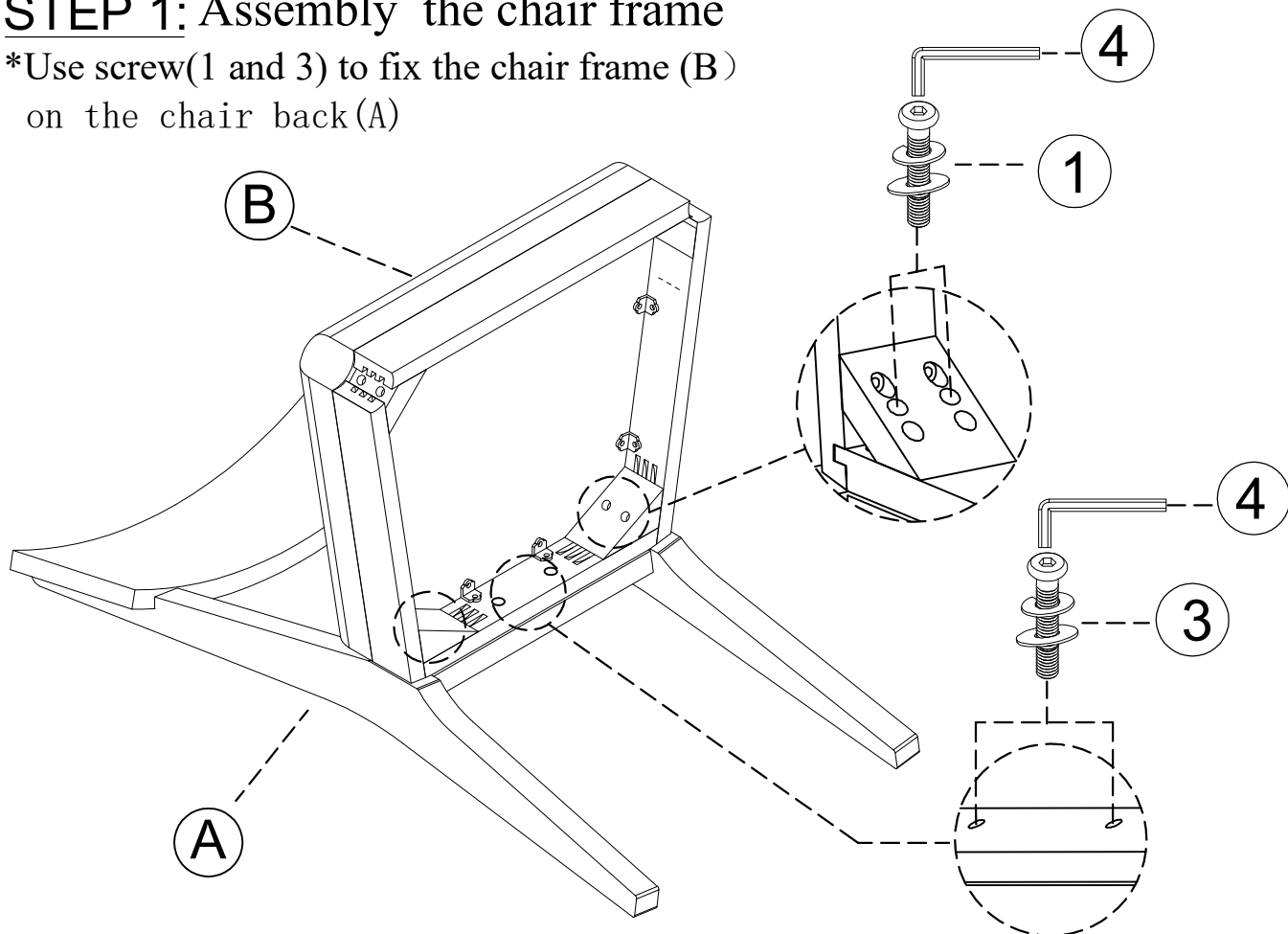
After assembly, clean and polish the completed parts if necessary with soft cloth and industrial recognized furniture polish.

DETAIL VIEW



STEP 1: Assembly the chair frame

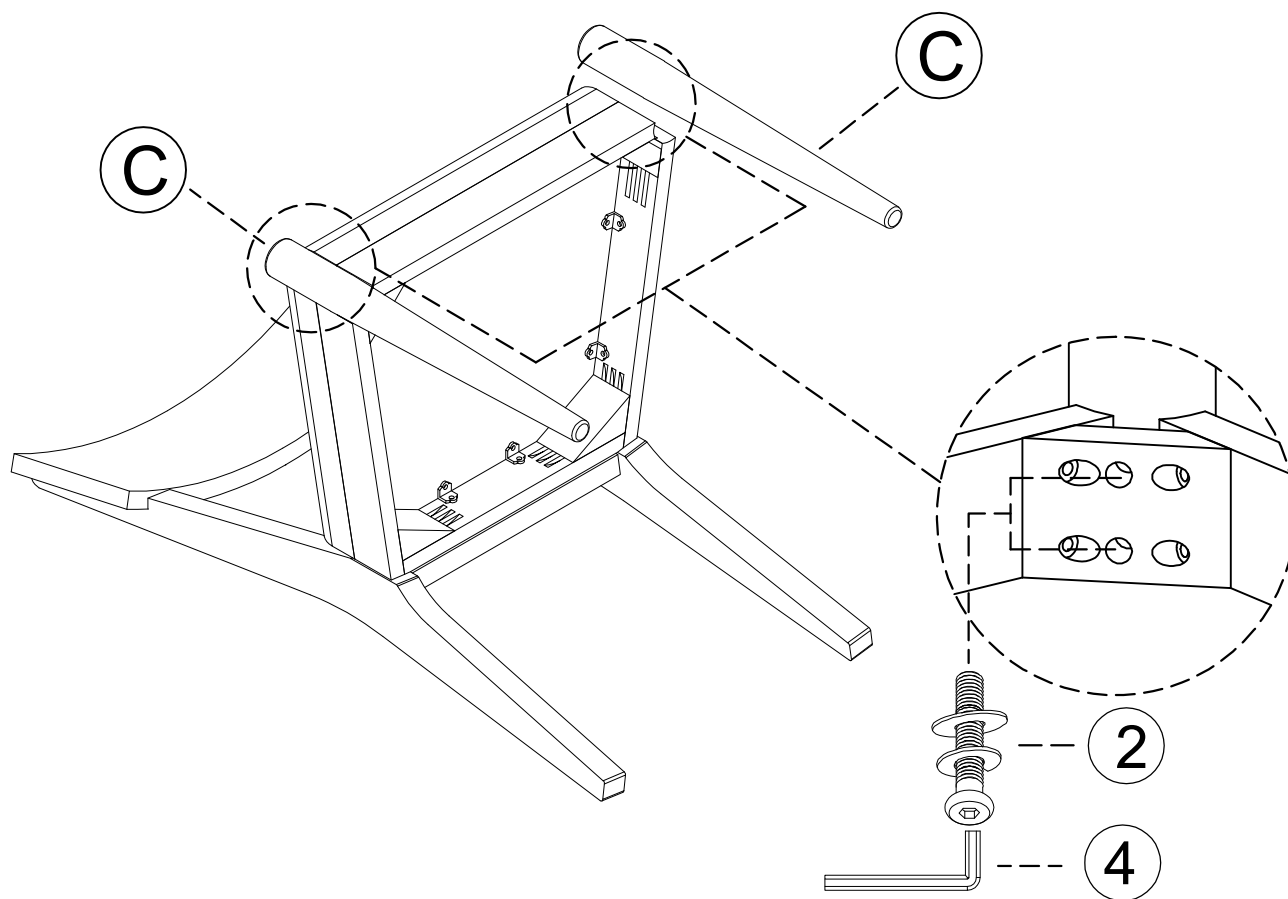
*Use screw(1 and 3) to fix the chair frame (B) on the chair back(A)



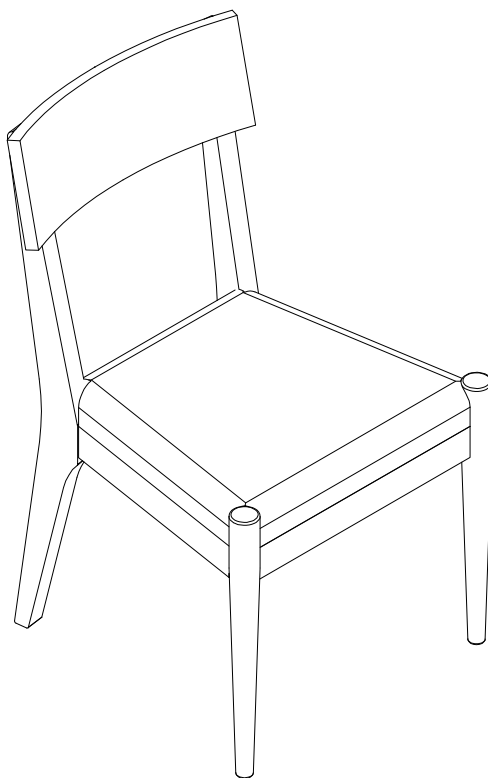
1= 4Pcs
3= 2Pcs

STEP 2: Assembly of the forefoot

*Assemble the legs(C) to chair frame(B) via the screw(2)



2= 4Pcs



That's it ! You've finished assembling your item. Thank you!