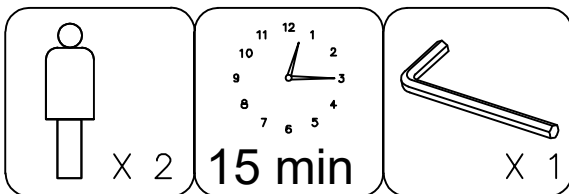
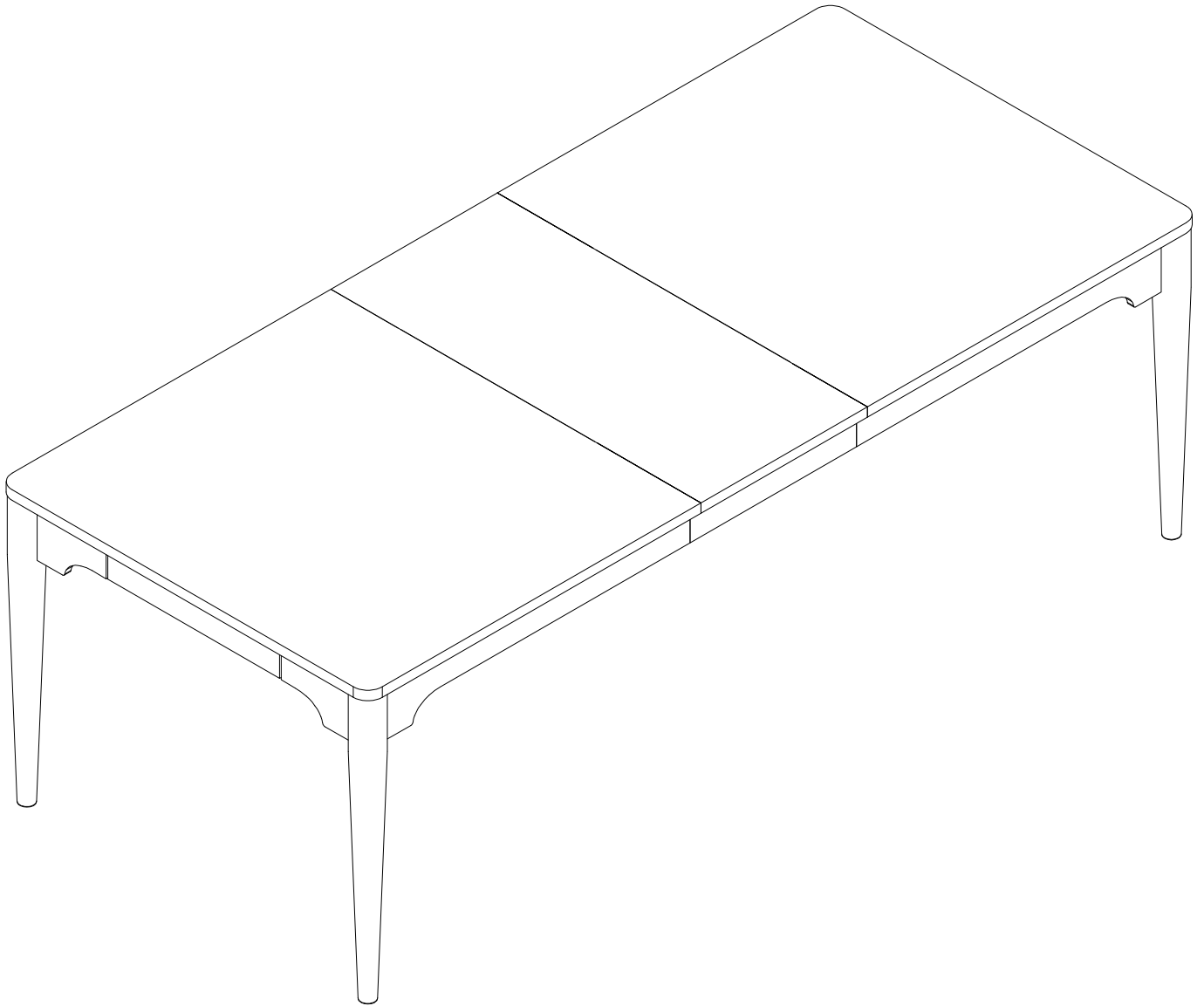
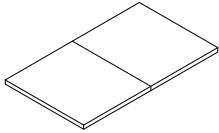
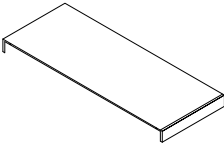
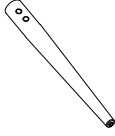


ASSEMBLY INSTRUCTIONS

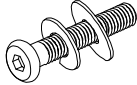
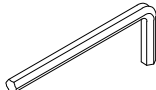
AUSTEN - 90 INCH EXTENSION DINING TABLE

ITEM NO :D2101-200 SKU:318060



PART	SKU#	IMAGE	DESCRIPTION	QTY
Ⓐ	318060-A-B(BLACK)		Table Top	1
Ⓑ	318060-B-B(BLACK)		Table Leaf	1
Ⓒ	318060-C-B(BLACK)		Table Leg	4

Hardware List of 90 Inch Extension Dining Table

PART	SKU#	IMAGE	DESCRIPTION	QTY
①	318060-1(8)		Bolts M4*Ø5/16*70mm	8
②	318060-2(1)		Allen key M4	1

Note: Screwdriver will be prepared by yourself.

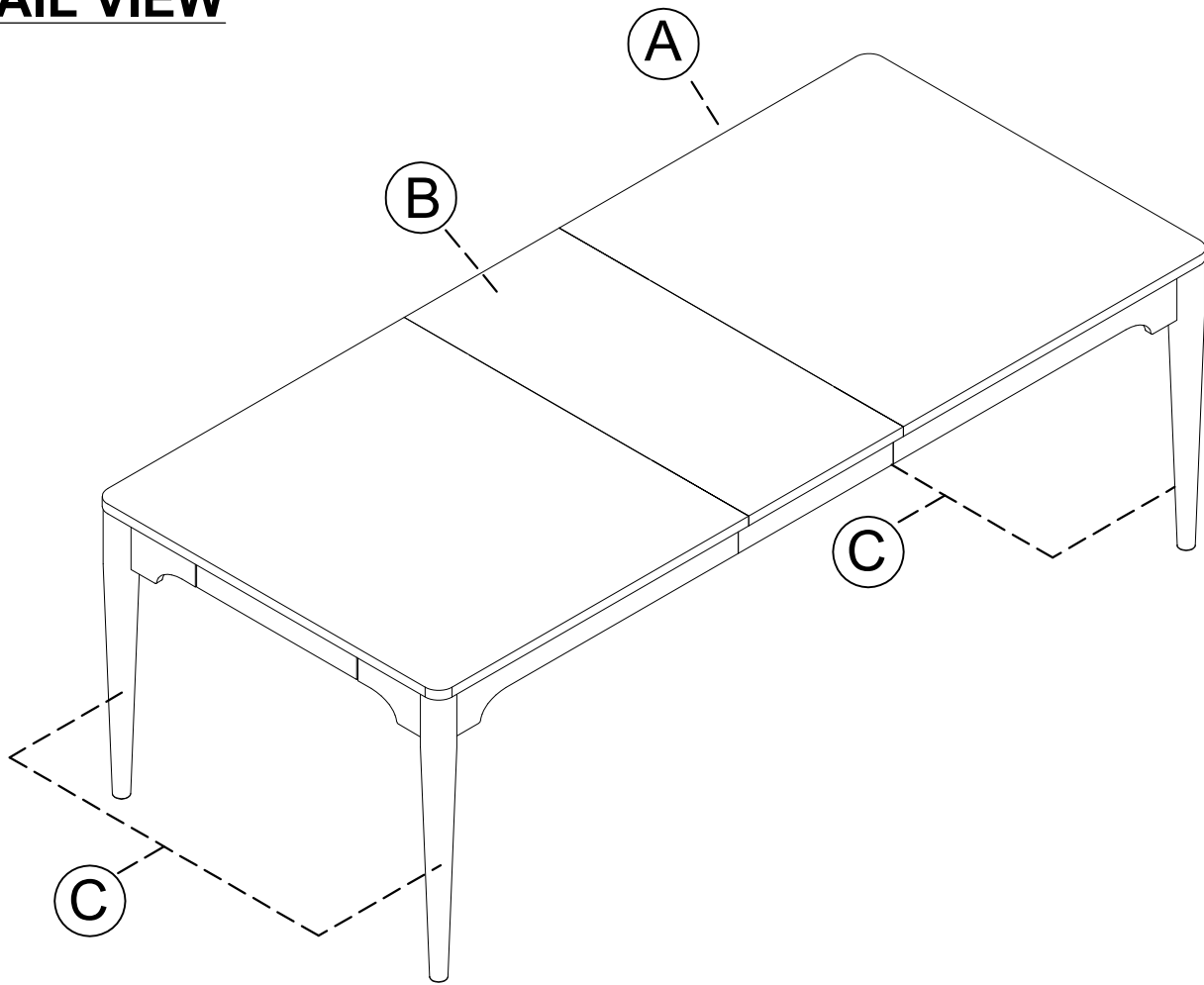
THE HARDWARE IS LOCATED IN THE PACKING ITEM

NOTE: MUST TIGHTEN SCREWS PERIODIACLLY. WITH USE SCREW MAY ENCOME LOOSE CHECK TIGHTNESS OF ALL SCREWS EVERY 6-8 WEEKS.

CLEANING INSTRUCTIONS:

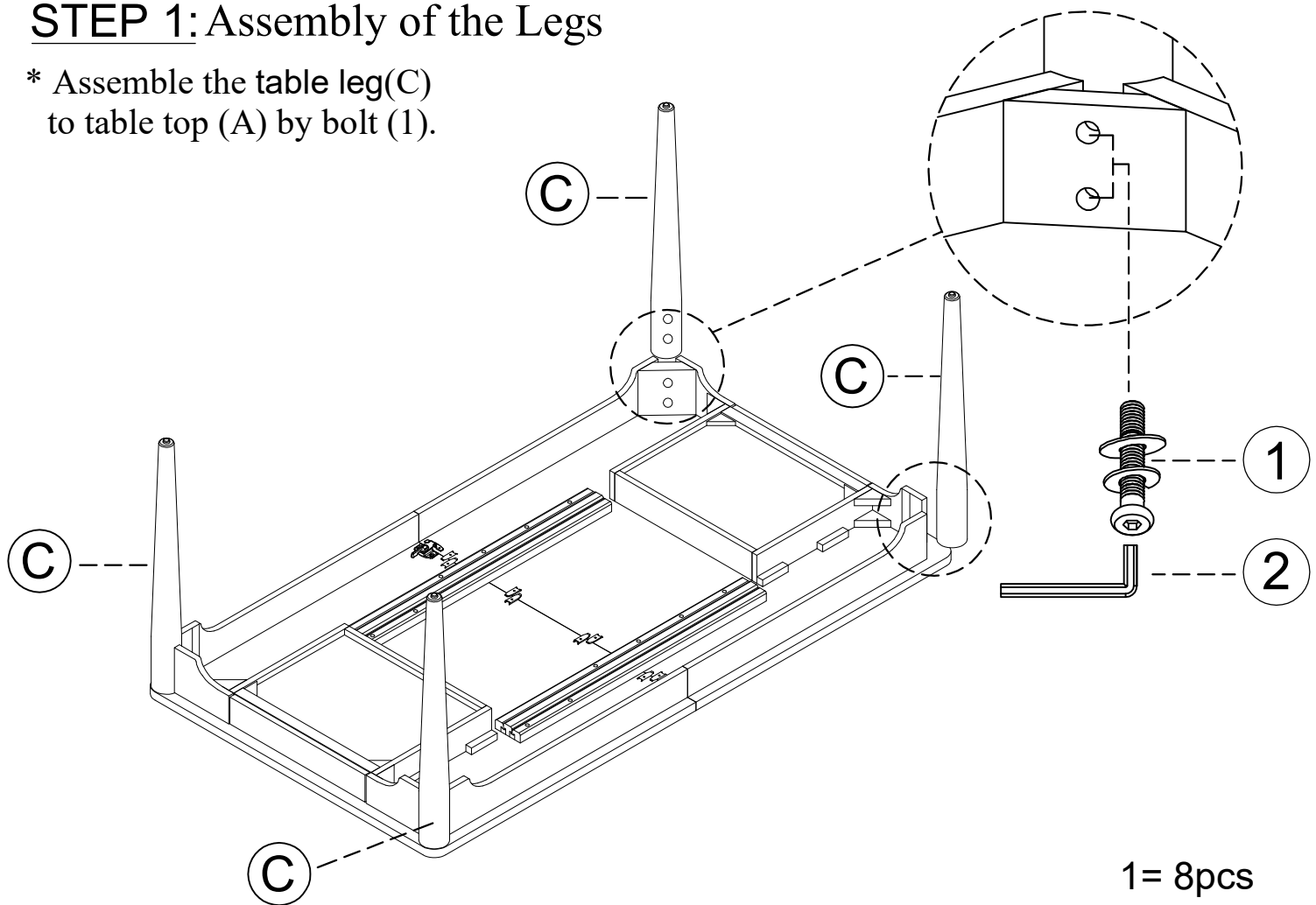
After assembly, clean and polish the completed parts if necessary with soft cloth and industrial recognized furniture polish.

DETAIL VIEW



STEP 1: Assembly of the Legs

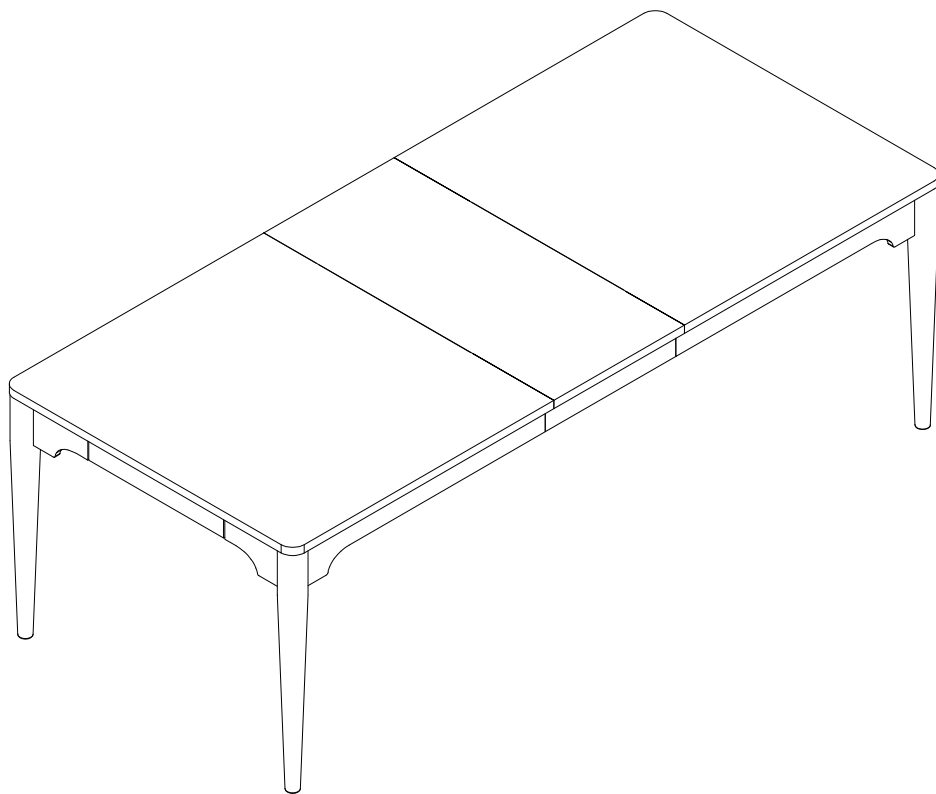
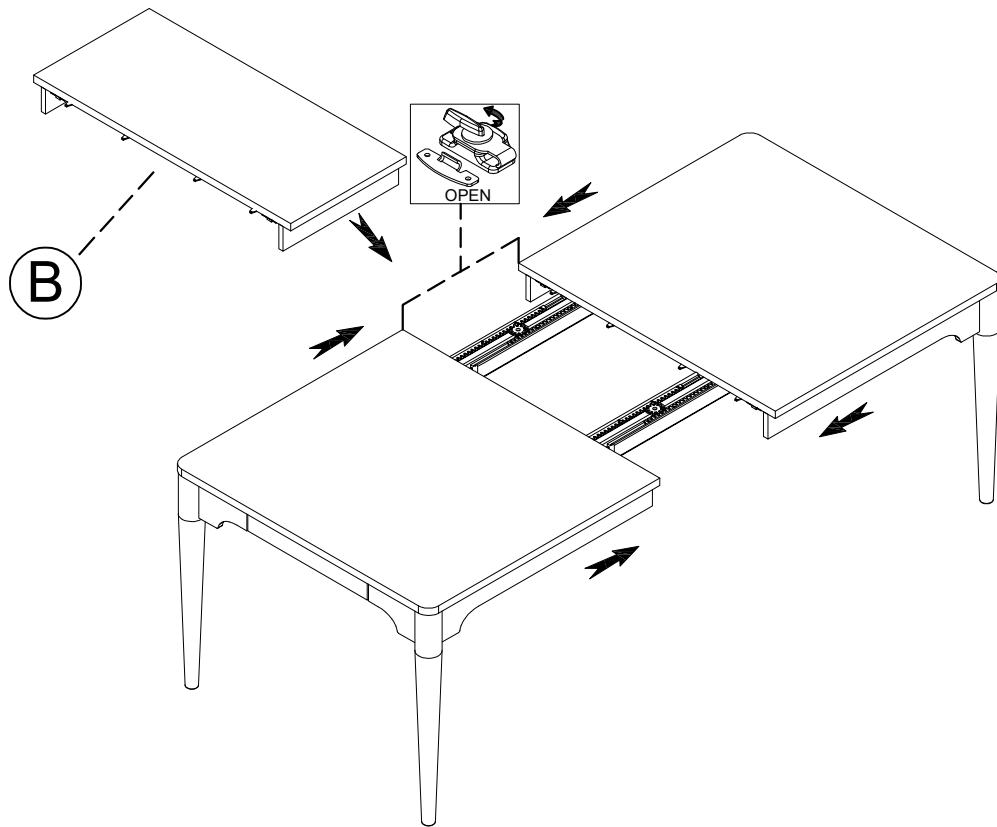
* Assemble the table leg(C) to table top (A) by bolt (1).



1 = 8pcs

STEP 2: Assembly of the Leaf

- * Open the latch at the bottom of the panel
pull open the two side panels put the leaf
panel in close the panel and lock the bottom latch



***That's it ! You've finished
assembling your item. Thank you!***