



LIVING SPACES

ASSEMBLY INSTRUCTIONS

AUSTEN CK/EK UPH HEADBOARD/POSTS CANOPY BED

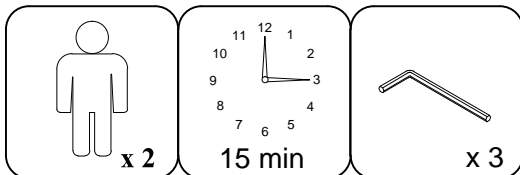
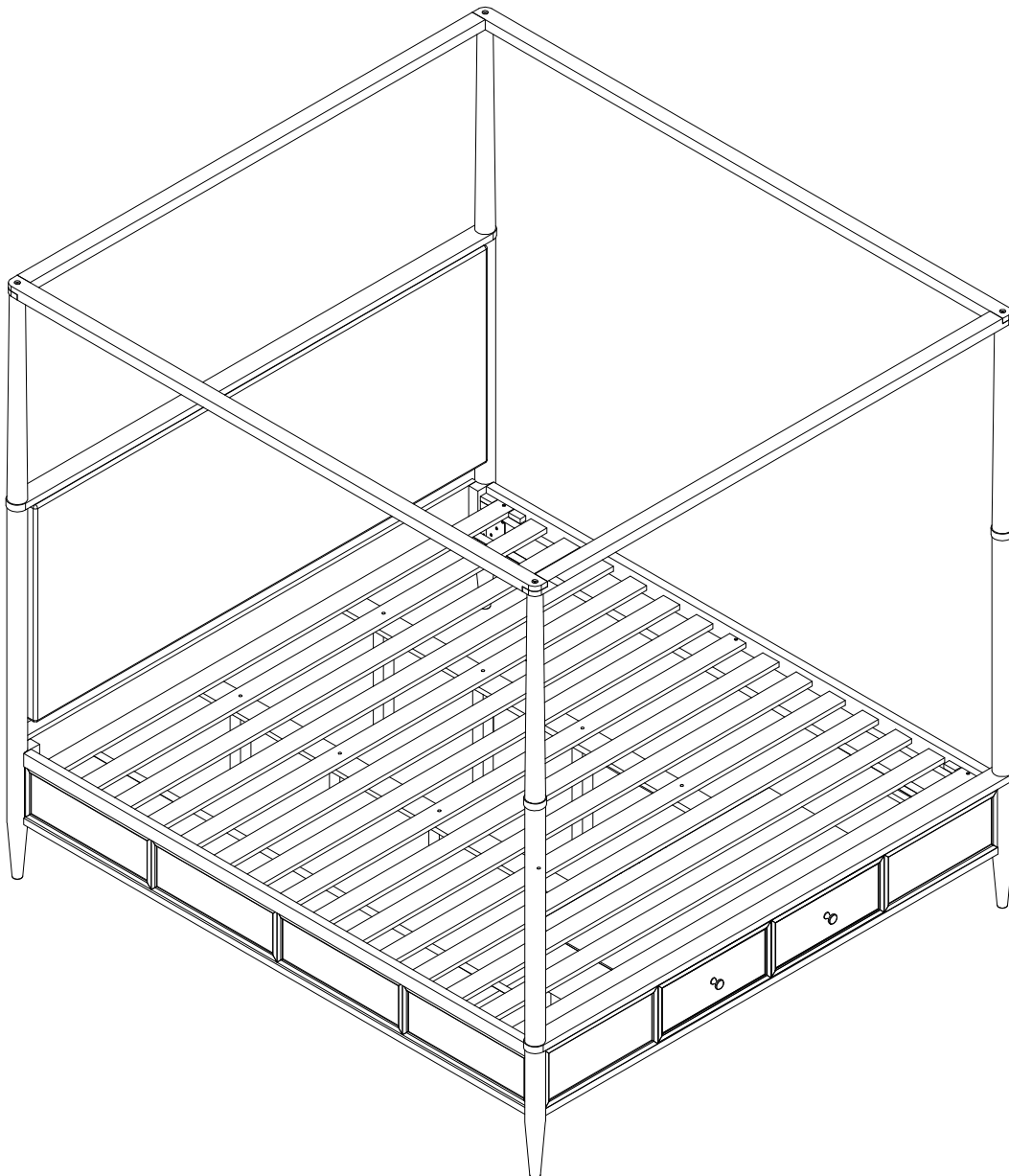
AUSTEN CK/EK STORAGE FOOTBOARD/SLATS/POSTS CANOPY BED

SKU:318051/318053/318057/318054



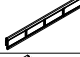
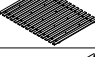







AUSTEN QN/EK NON-STORAGE SIDE RAILS PANEL/CANOPY BED

AUSTEN EK STRECHERS CANOPY BED





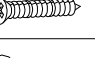



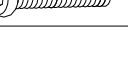
ITEM NO: B2101-141/B2101-143/B2101-191/B2101-144



1

PART	SKU#	IMAGE	DESCRIPTION	QTY
(A)	318051		Head Board	1
(B)	318053		Storage Foot Board	1
(C)	318057		Side Rail	2
(D)	318053		Slat	1 set
(E)	318053		Middle Support Bar	2
(F)	318053		Support With Leveler	8
(G)	318051/318053		Head Board/Foot Board Posts canopy	4
(H)	318053		Foot Board Posts canopy	2
(I)	318054		Head Board/Foot Board canopy	2
(J)	318054		Lift/Right canopy rail	2
(K)	318053		Foot Board back leg	2

Hardware List

PART	SKU#	IMAGE	DESCRIPTION	QTY
(1)	318057		Bolts 5/16" *25mm	8
(2)	318057/318054		Spring Washer 5/16" Dia	12
(3)	318057/318054		Flat Washer 5/16" * Dia	12
(4)	318053/318057/318054		Allen key	3
(5)	318053		Screw #8* 30mm	6
(6)	318053		Bolts 1/4" *38mm	2
(7)	318053		Spring Washer 1/4"*11mm	2
(8)	318053		Flat Washer 1/4" *19mm	2
(9)	318054		Bolts 5/16" *60mm	4

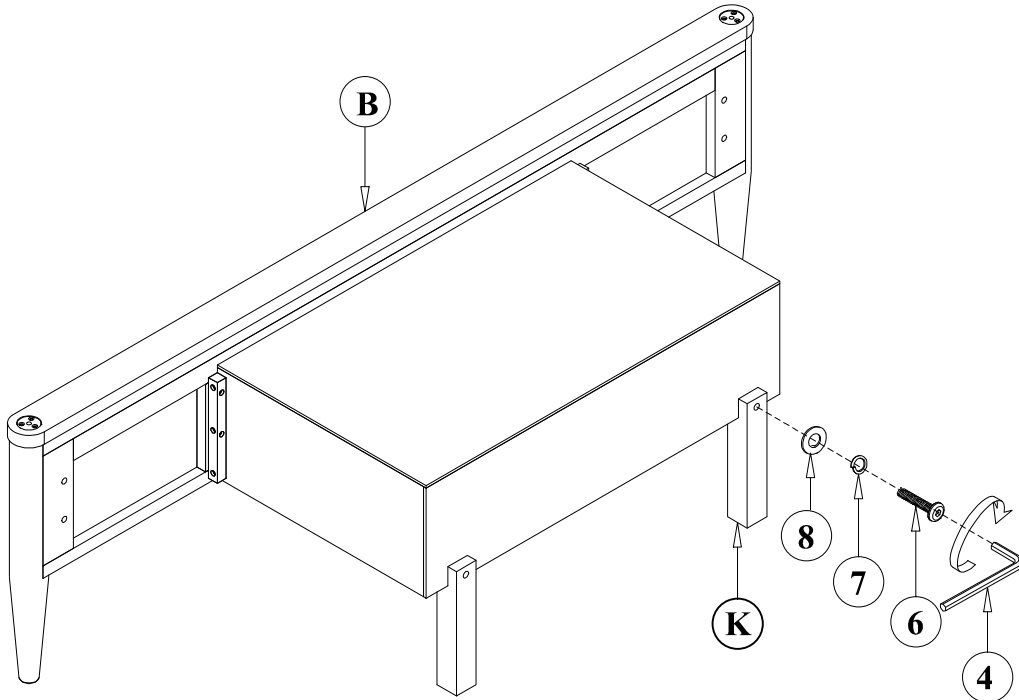
THE HARDWARE IS LOCATED IN THE PACKING ITEM

**MUST: TIGHTEN SCREWS PERIODIACLLY. WITH USE SCREW
MAY ENCOME LOOSE CHECK TIGHTNESS OF ALL SCREWS EVERY 6-8
WEEKS.**

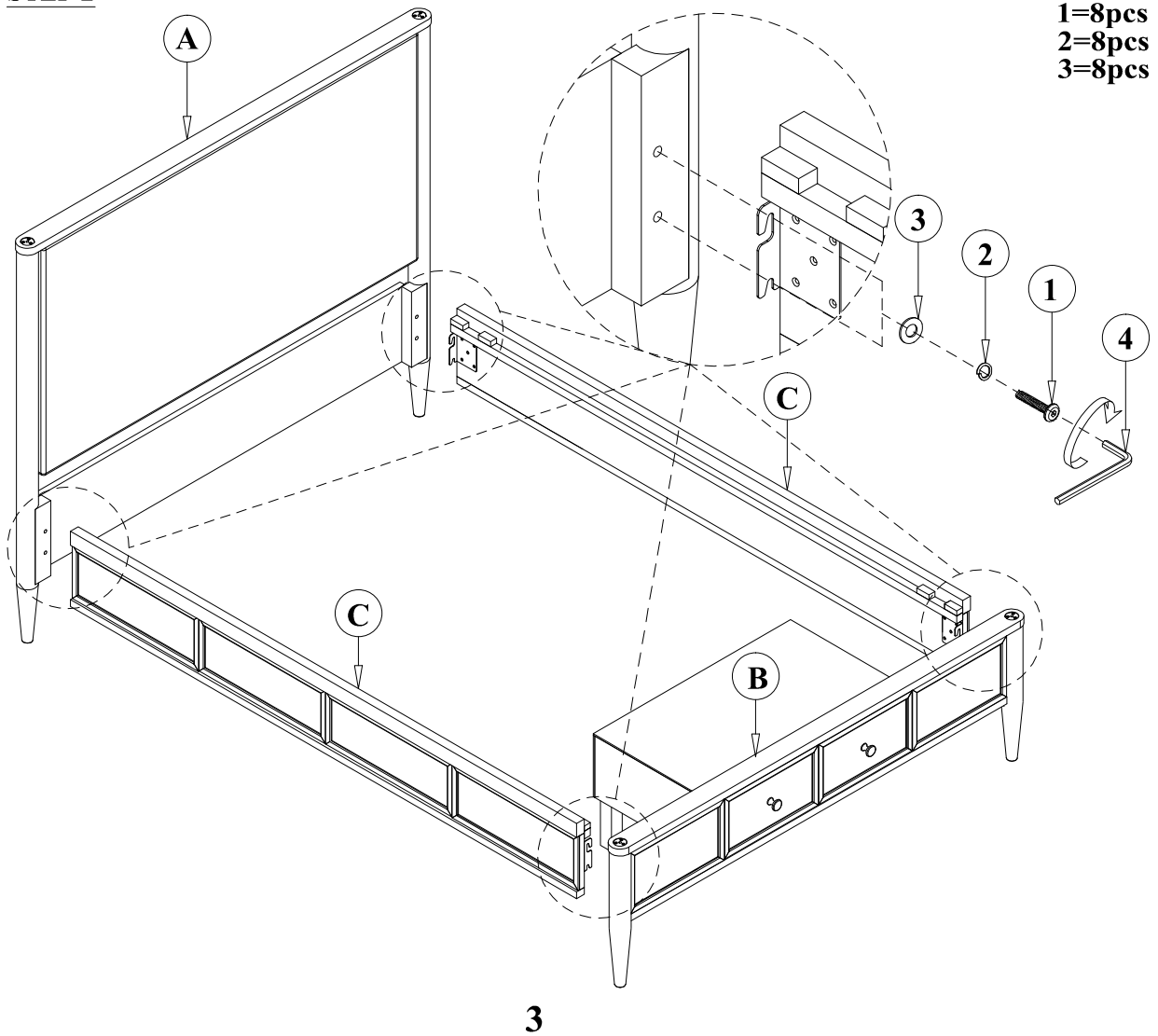
CLEANING INSTRUCTIONS:

After assembly, clean and polish the completed parts if necessary with soft cloth and industrial recognized furniture polish.

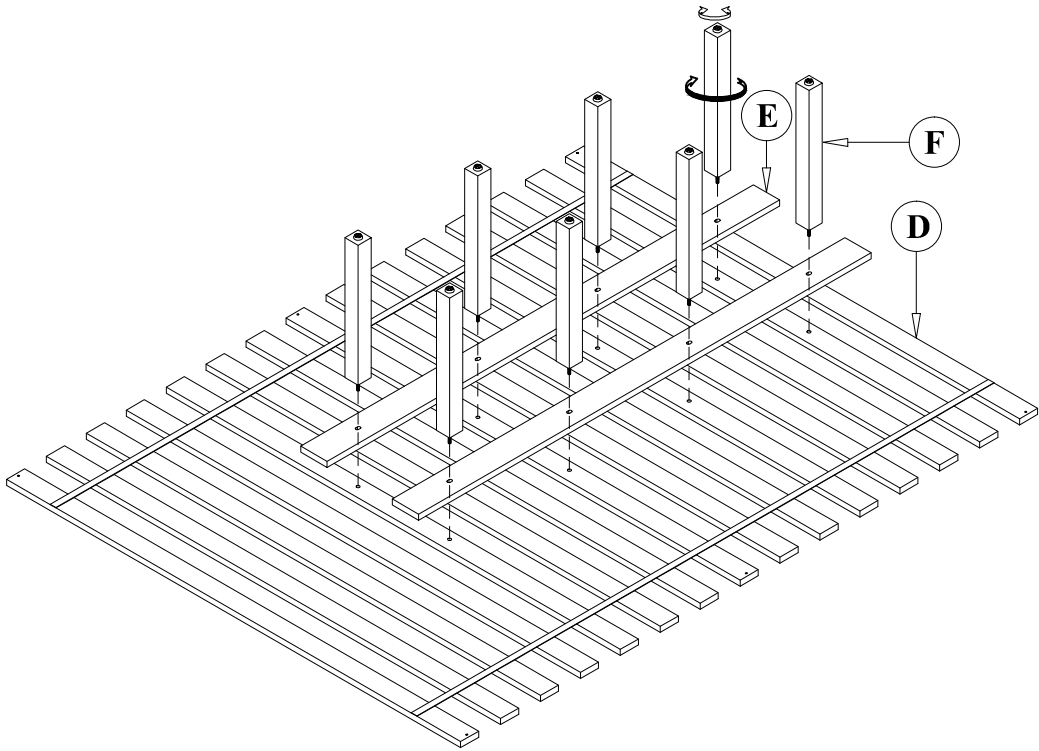
STEP 1



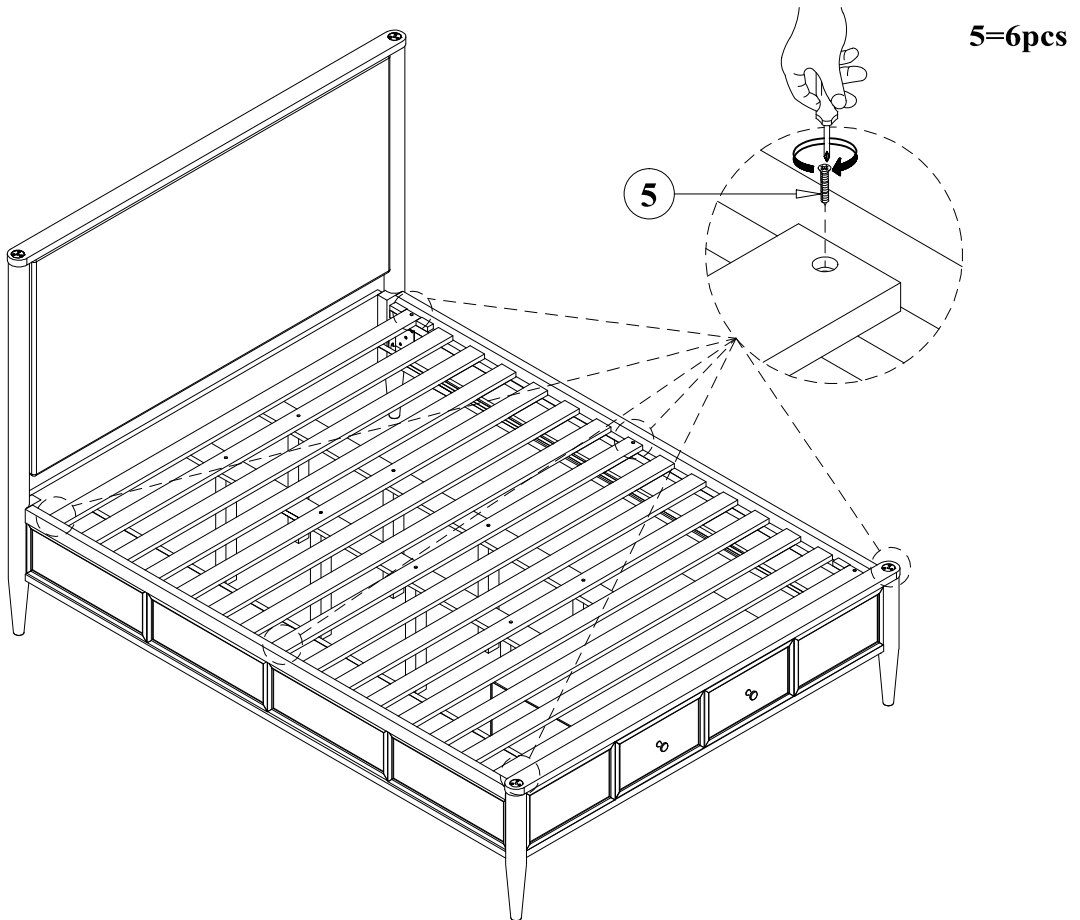
STEP 2



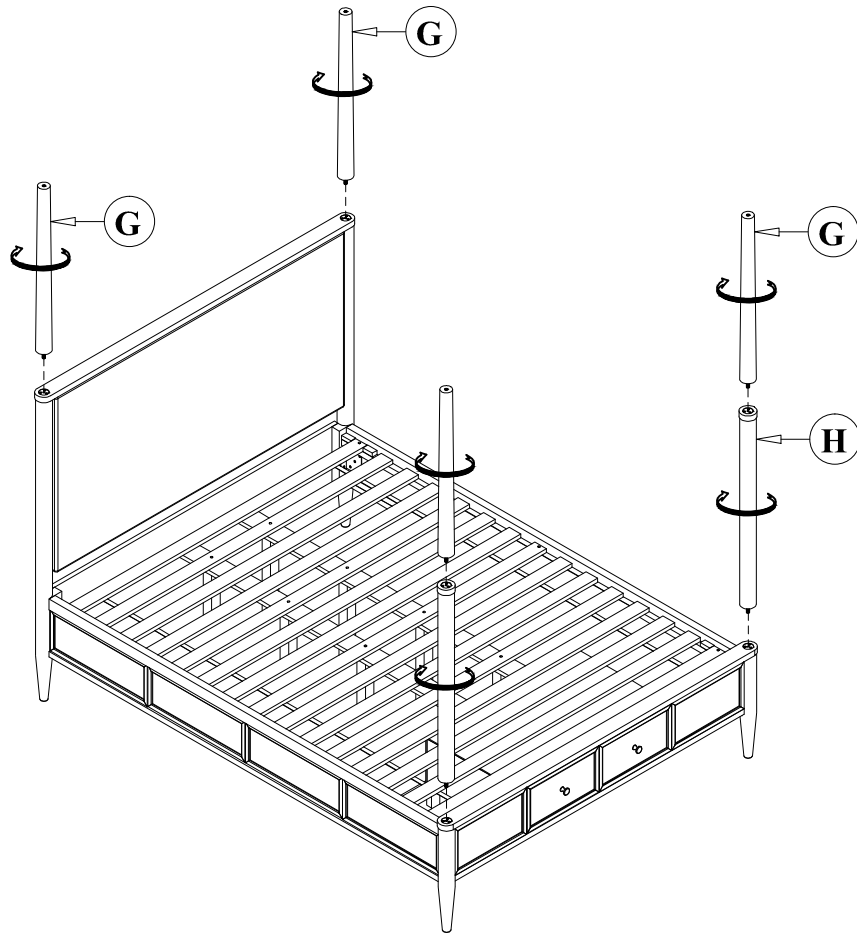
STEP 3



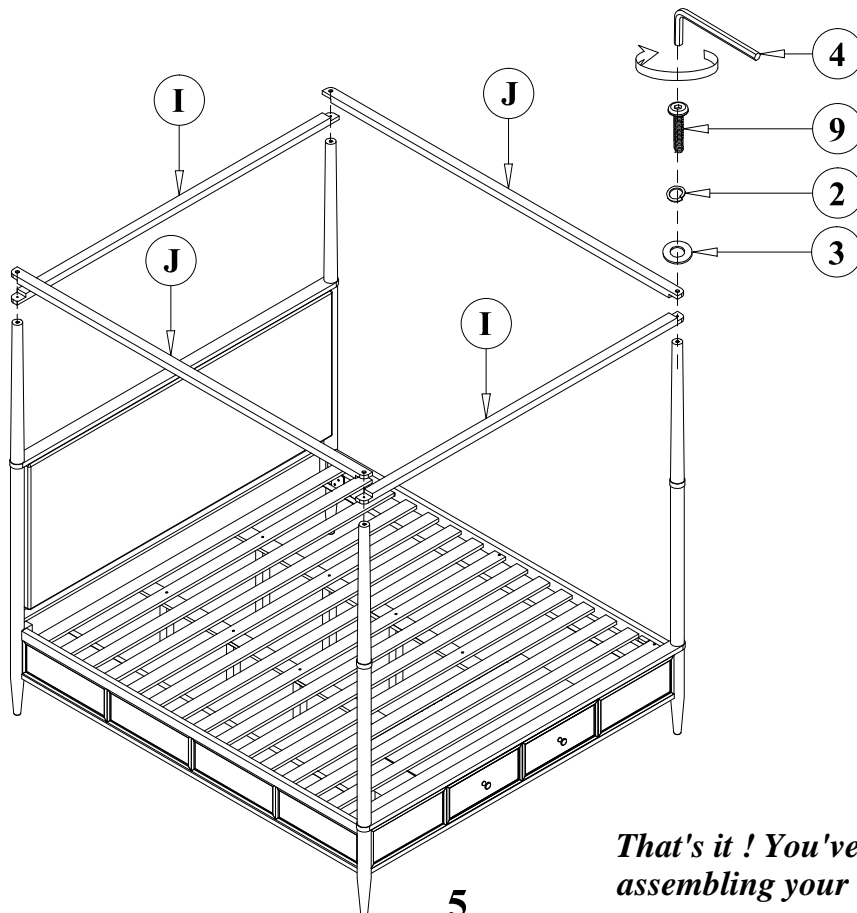
STEP 4



STEP 5



STEP 6



9=4pcs
2=4pcs
3=4pcs

That's it ! You've finished assembling your item. Thank you!