



LIVING SPACES

ASSEMBLY INSTRUCTIONS

AUSTEN CK/EK UPH HEADBOARD/POSTS CANOPY BED

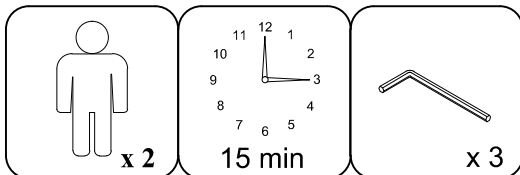
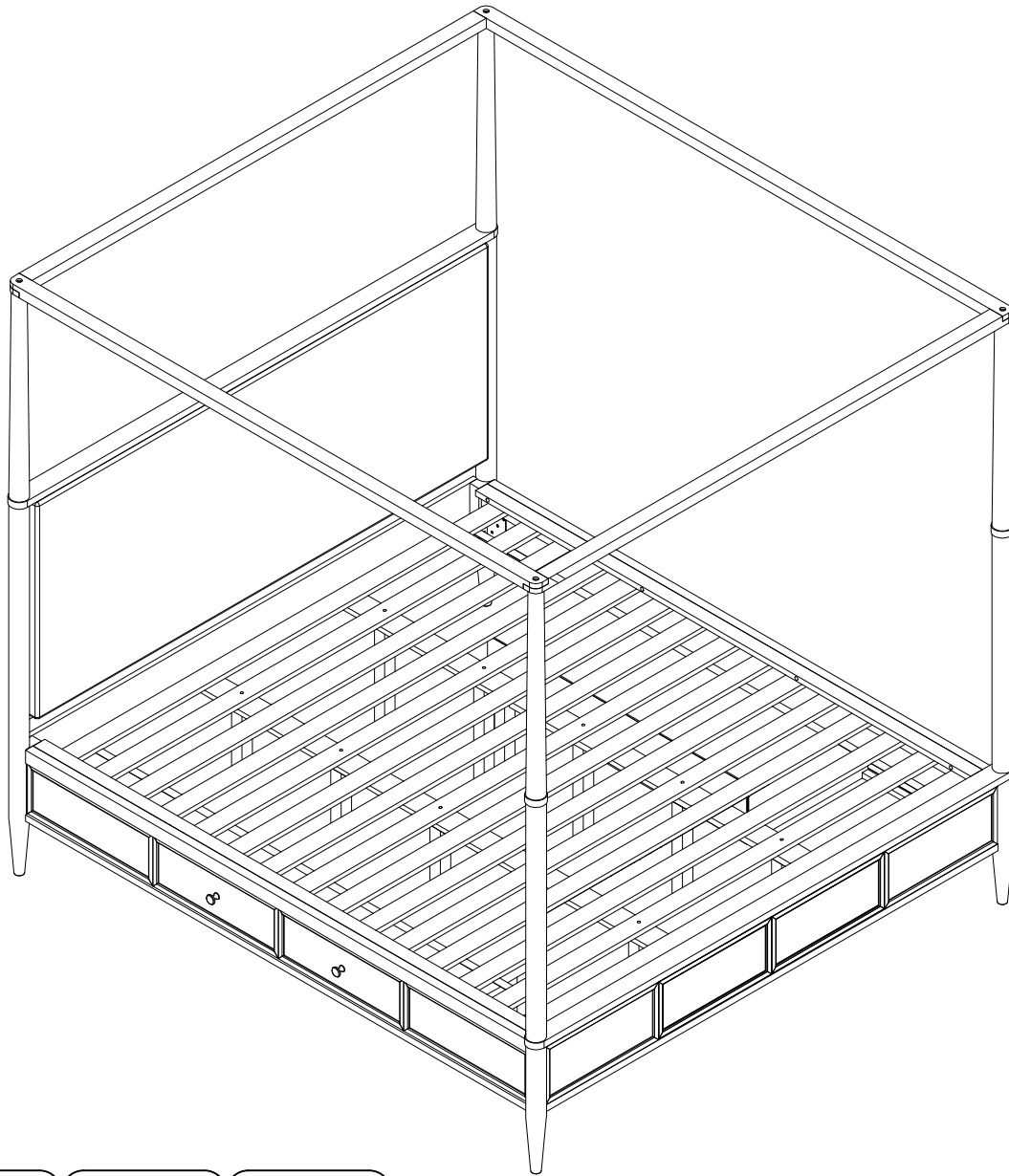
AUSTEN CK/EK NON-STORAGE FOOTBOARD/SLATS/POSTS CANOPY BED

SKU:318051/318052/318059/318055


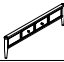

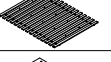

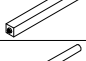





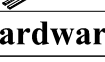
AUSTEN CK SINGLE STORAGE SIDE RAIL PANEL/CANOPY BED

AUSTEN CK STRECHERS CANOPY BED

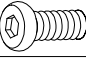



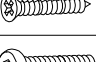


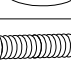
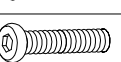

ITEM NO: B2101-141/B2101-142/B2101-193/B2101-145



1

PART	SKU#	IMAGE	DESCRIPTION	QTY
(A)	318051		Head Board	1
(B)	318052		Storage Foot Board	1
(C)	318059		Storage Side Rail	2
(D)	318052		Slat	1 set
(E)	318052		Middle Support Bar	4
(F)	318052		Support With Leveler	8
(G)	318051/318052		Head Board/Foot Board Posts canopy	4
(H)	318052		Foot Board Posts canopy	2
(I)	318055		Head Board/Foot Board canopy	2
(J)	318055		Lift/Right canopy rail	2
(K)	318059		Side Rail back leg	4
(L)	318059		Cap Rail	2

Hardware List

PART	SKU#	IMAGE	DESCRIPTION	QTY
(1)	318059		Bolts 5/16" *25mm	8
(2)	318059/318055		Spring Washer 5/16" Dia	12
(3)	318059/318055		Flat Washer 5/16" * Dia	12
(4)	318059/318055		Allen key	3
(5)	318053		Screw #8* 30mm	6
(6)	318059		Bolts 1/4" *38mm	4
(7)	318059		Spring Washer 1/4"*11mm	4
(8)	318059		Flat Washer 1/4" *19mm	4
(9)	318055		Bolts 5/16" *60mm	4
(10)	318059		Bolts 1/4" *45mm	8

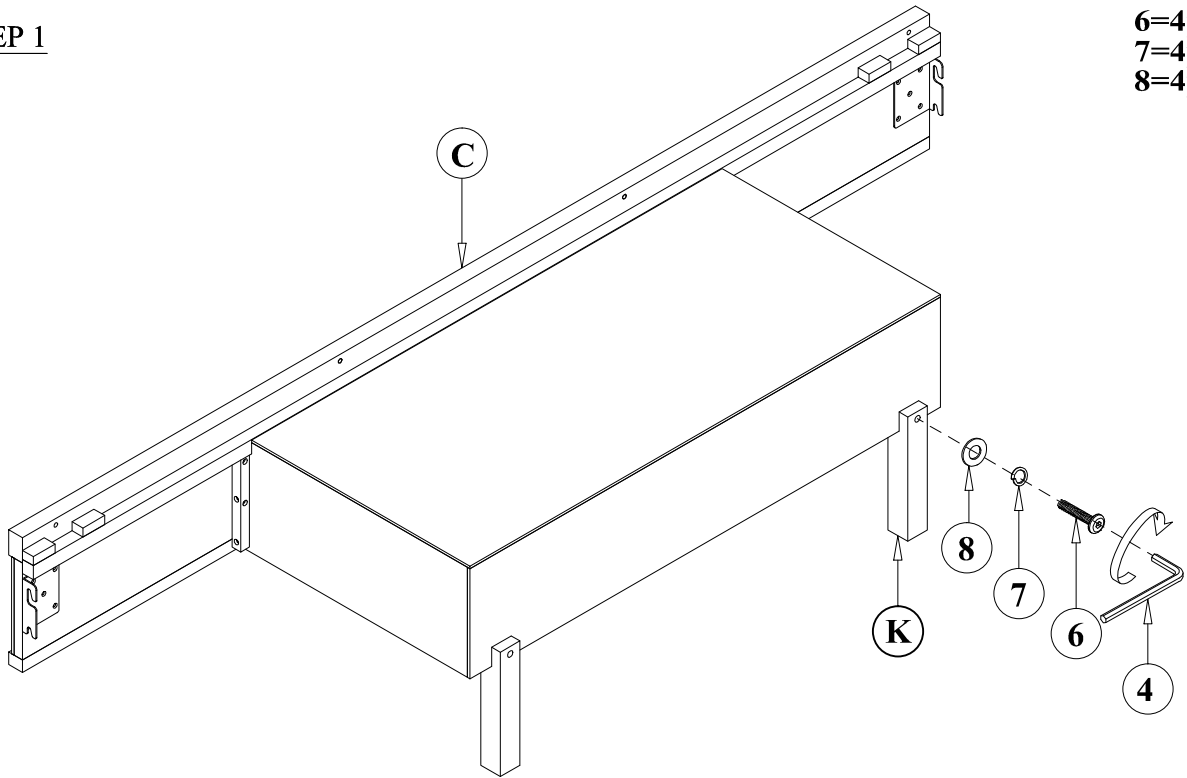
THE HAEDWARE IS LOCATED IN THE PACKING ITEM

MUST: TIGHTEN SCREWS PERIODIACLLY. WITH USE SCREW MAY ENCOME LOOSE CHECK TIGHTNESS OF ALL SCREWS EVERY 6-8 WEEKS.

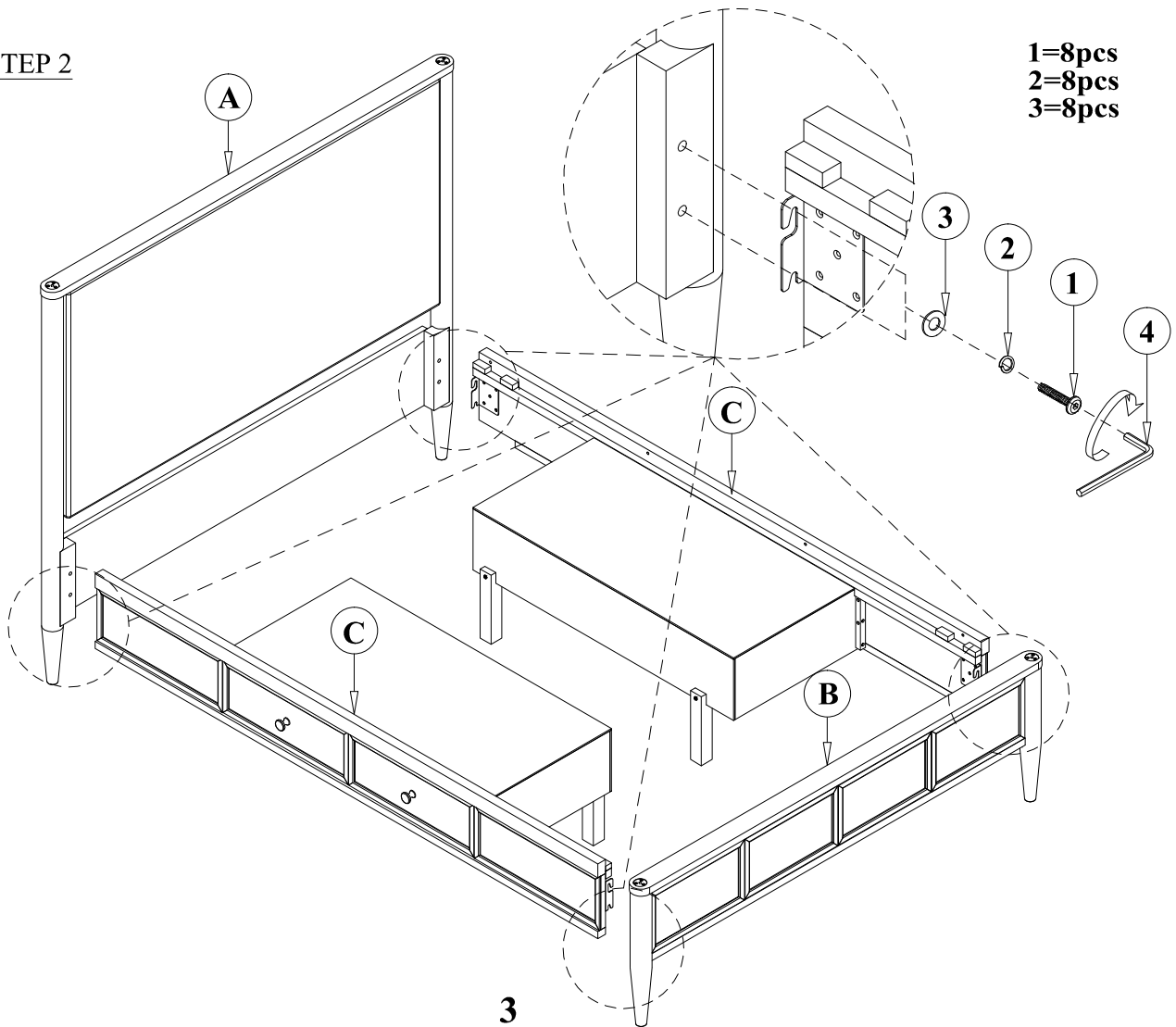
CLEANING INSTRUCTIONS:

After assembly, clean and polish the completed parts if necessary with soft cloth and industrial recognized furniture polish.

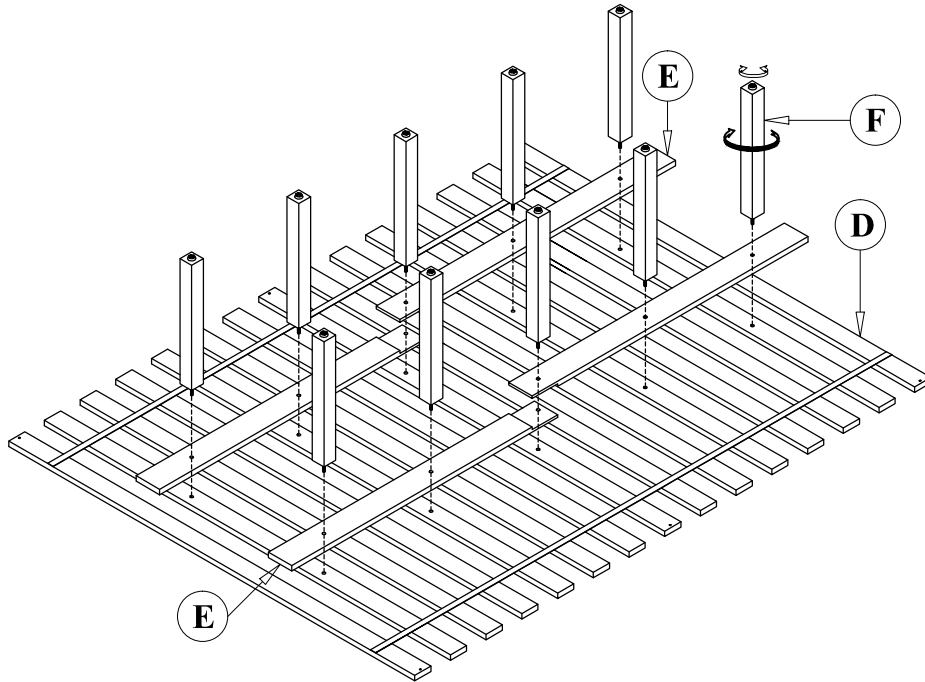
STEP 1



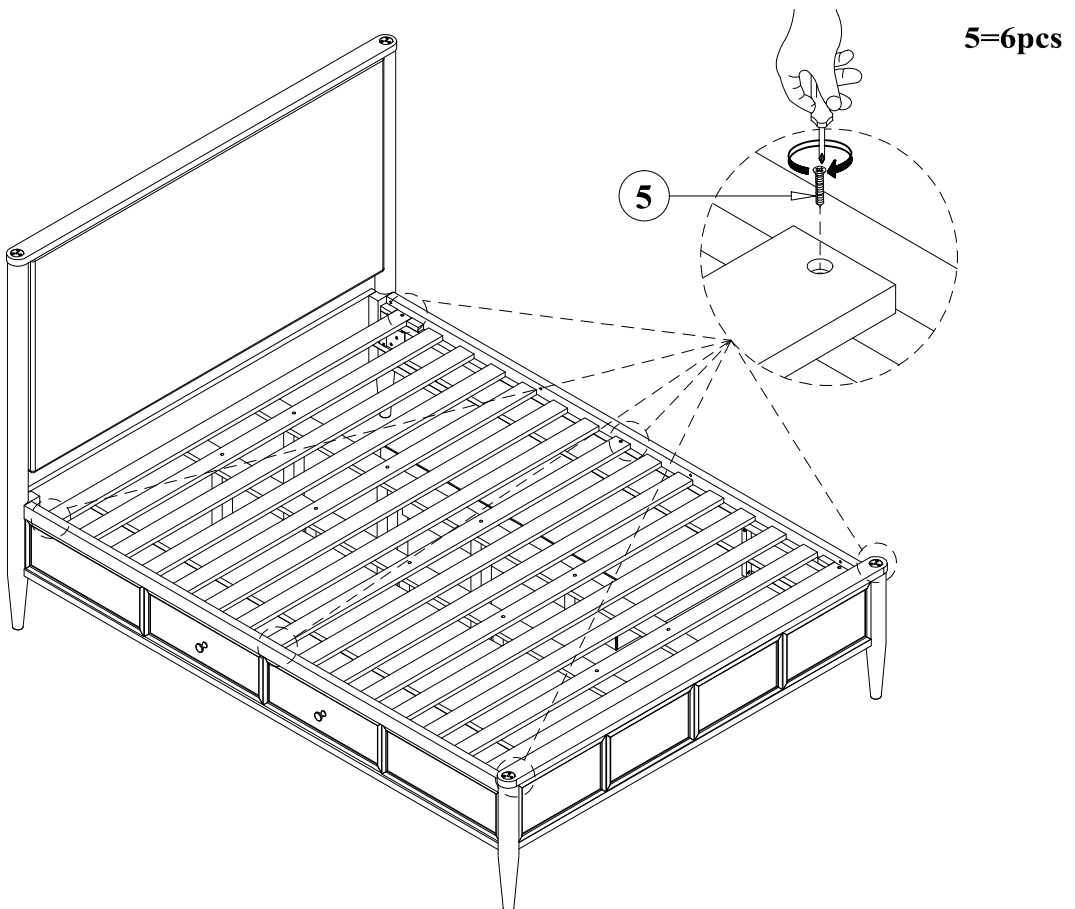
STEP 2



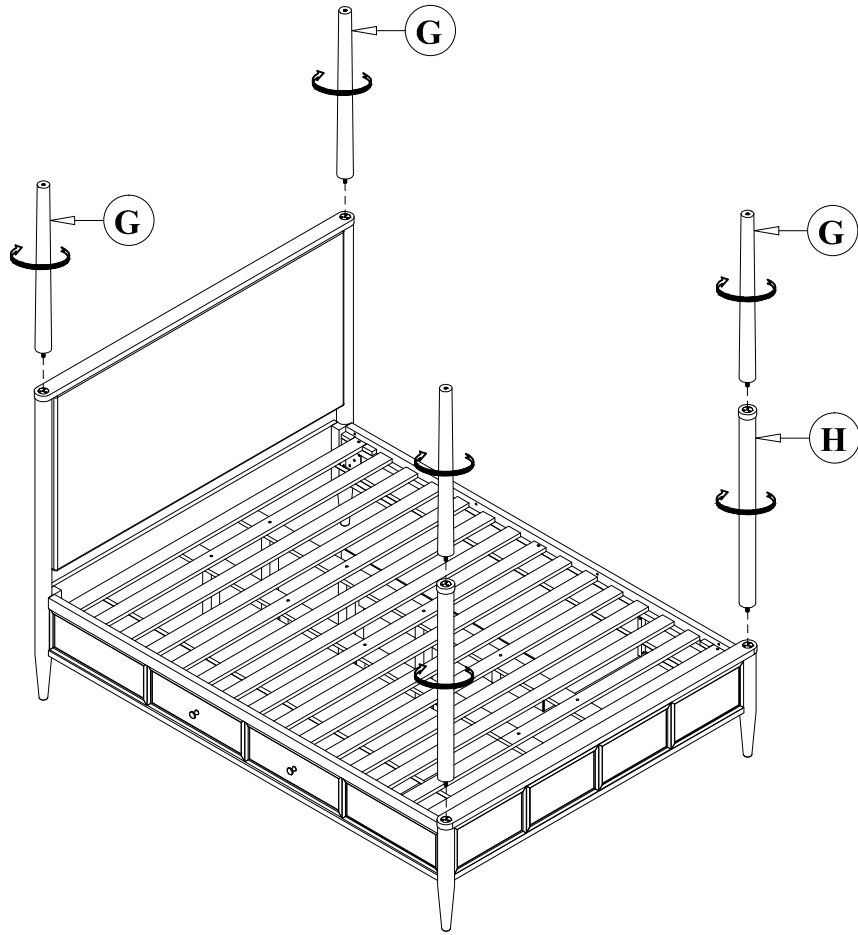
STEP 3



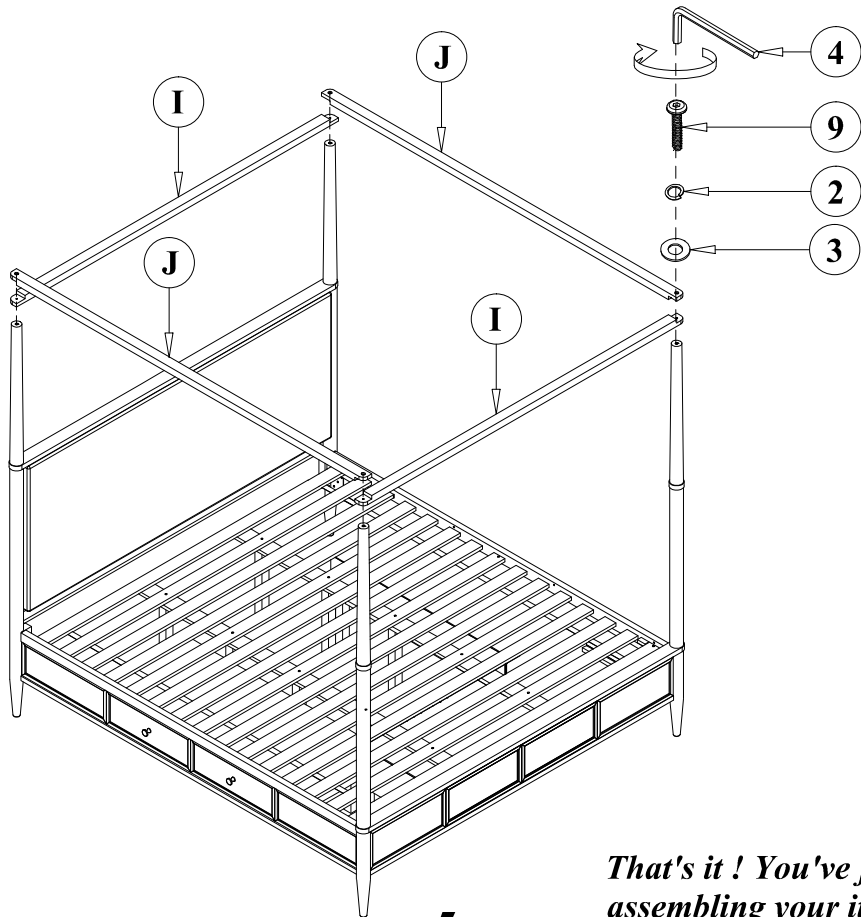
STEP 4



STEP 5

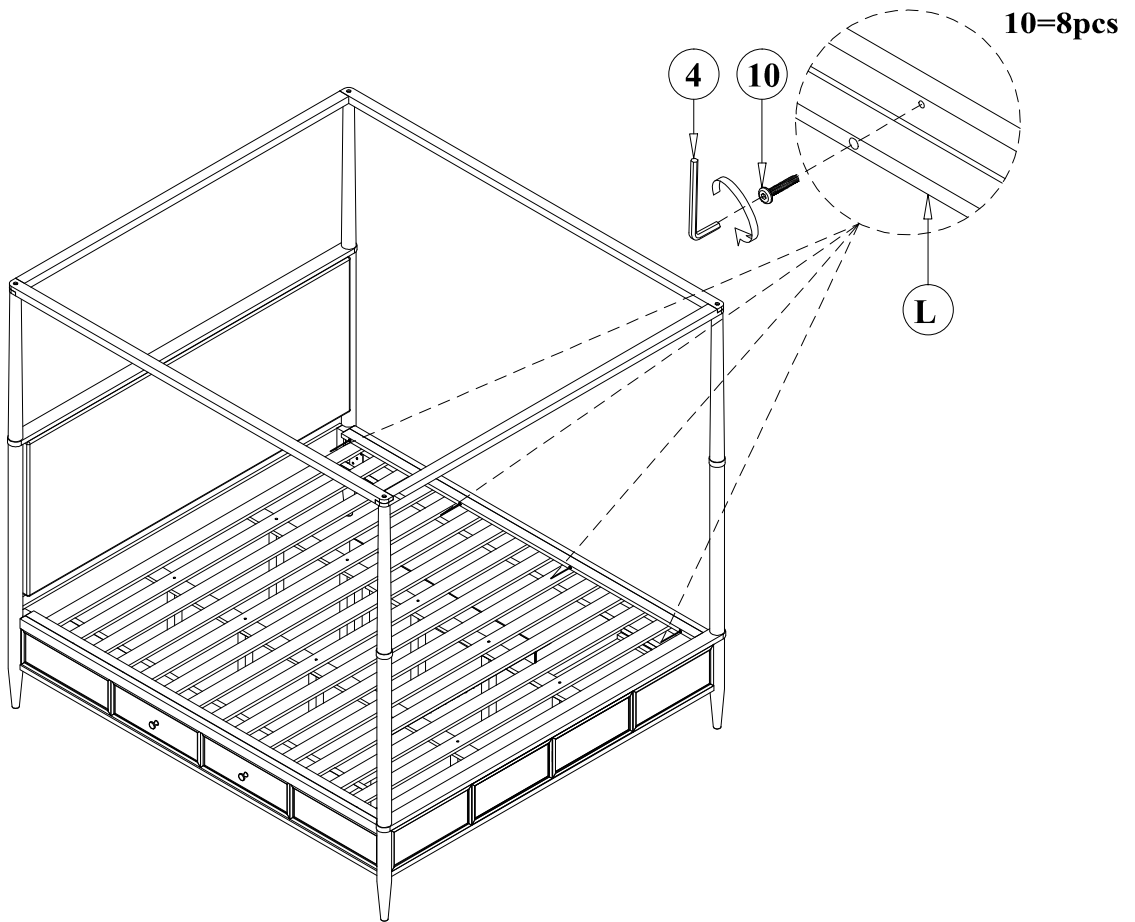


STEP 6

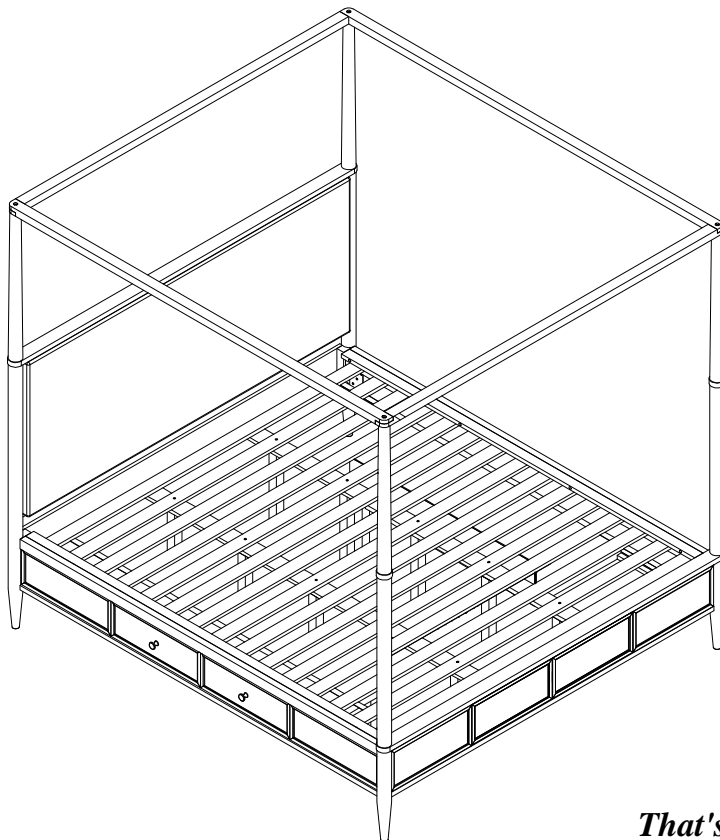


That's it ! You've finished assembling your item. Thank you!

STEP 7



STEP 8



That's it ! You've finished assembling your item. Thank you!