



LIVING SPACES

ASSEMBLY INSTRUCTIONS

AUSTEN QN UPH HEADBOARD/POSTS CANOPY BED

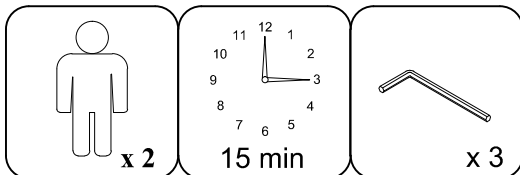
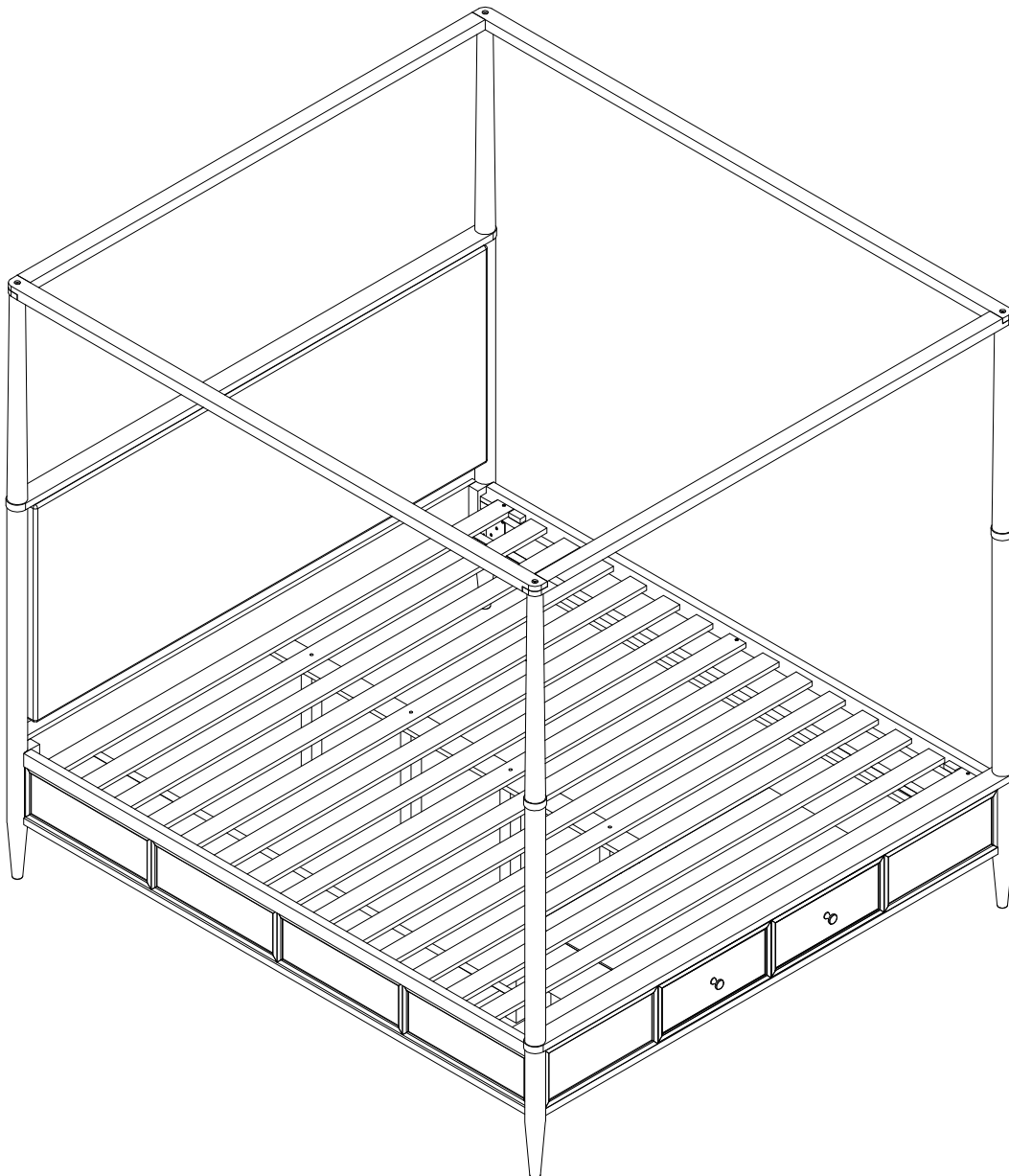
AUSTEN QN STORAGE FOOTBOARD/SLATS/POSTS CANOPY BED

SKU:318039/318041/318057/318042




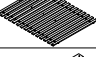





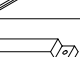

AUSTEN QN/EK NON-STORAGE SIDE RAILS PANEL/CANOPY BED

AUSTEN QN STRECHERS CANOPY BED





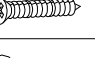



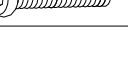
ITEM NO: B2101-137/B2101-139/B2101-191/B2101-140



1

| PART | SKU# | IMAGE | DESCRIPTION | QTY |
|-------------|---------------|---|------------------------------------|------------|
| (A) | 318039 |  | Head Board | 1 |
| (B) | 318041 |  | Storage Foot Board | 1 |
| (C) | 318057 |  | Side Rail | 2 |
| (D) | 318041 |  | Slat | 1 set |
| (E) | 318041 |  | Middle Support Bar | 1 |
| (F) | 318041 |  | Support With Leveler | 4 |
| (G) | 318039/318041 |  | Head Board/Foot Board Posts canopy | 4 |
| (H) | 318041 |  | Foot Board Posts canopy | 2 |
| (I) | 318042 |  | Head Board/Foot Board canopy | 2 |
| (J) | 318042 |  | Lift/Right canopy rail | 2 |
| (K) | 318041 |  | Foot Board back leg | 2 |

Hardware List

| PART | SKU# | IMAGE | DESCRIPTION | QTY |
|-------------|----------------------|--|-------------------------|------------|
| (1) | 318057 |  | Bolts 5/16" *25mm | 8 |
| (2) | 318057/318042 |  | Spring Washer 5/16" Dia | 12 |
| (3) | 318057/318042 |  | Flat Washer 5/16" * Dia | 12 |
| (4) | 318041/318057/318042 |  | Allen key | 3 |
| (5) | 318041 |  | Screw #8* 30mm | 6 |
| (6) | 318041 |  | Bolts 1/4" *38mm | 2 |
| (7) | 318041 |  | Spring Washer 1/4"*11mm | 2 |
| (8) | 318041 |  | Flat Washer 1/4" *19mm | 2 |
| (9) | 318042 |  | Bolts 5/16" *60mm | 4 |

THE HARDWARE IS LOCATED IN THE PACKING ITEM

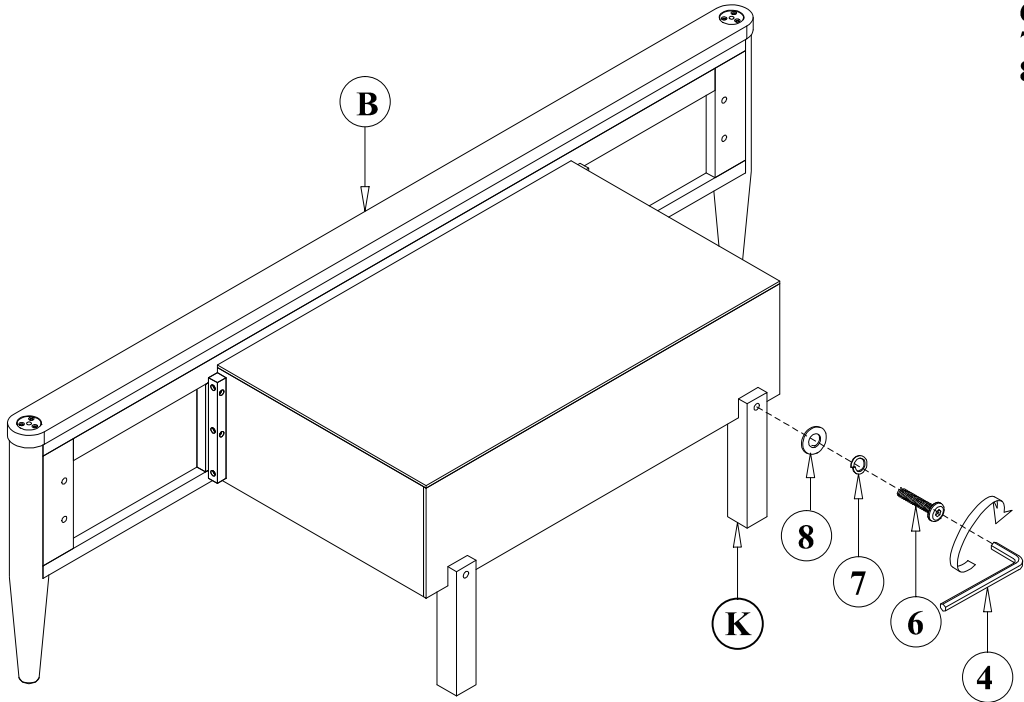
**MUST: TIGHTEN SCREWS PERIODICALLY. WITH USE SCREW
MAY ENCOME LOOSE CHECK TIGHTNESS OF ALL SCREWS EVERY 6-8
WEEKS.**

CLEANING INSTRUCTIONS:

After assembly, clean and polish the completed parts if necessary with soft cloth and industrial recognized furniture polish.

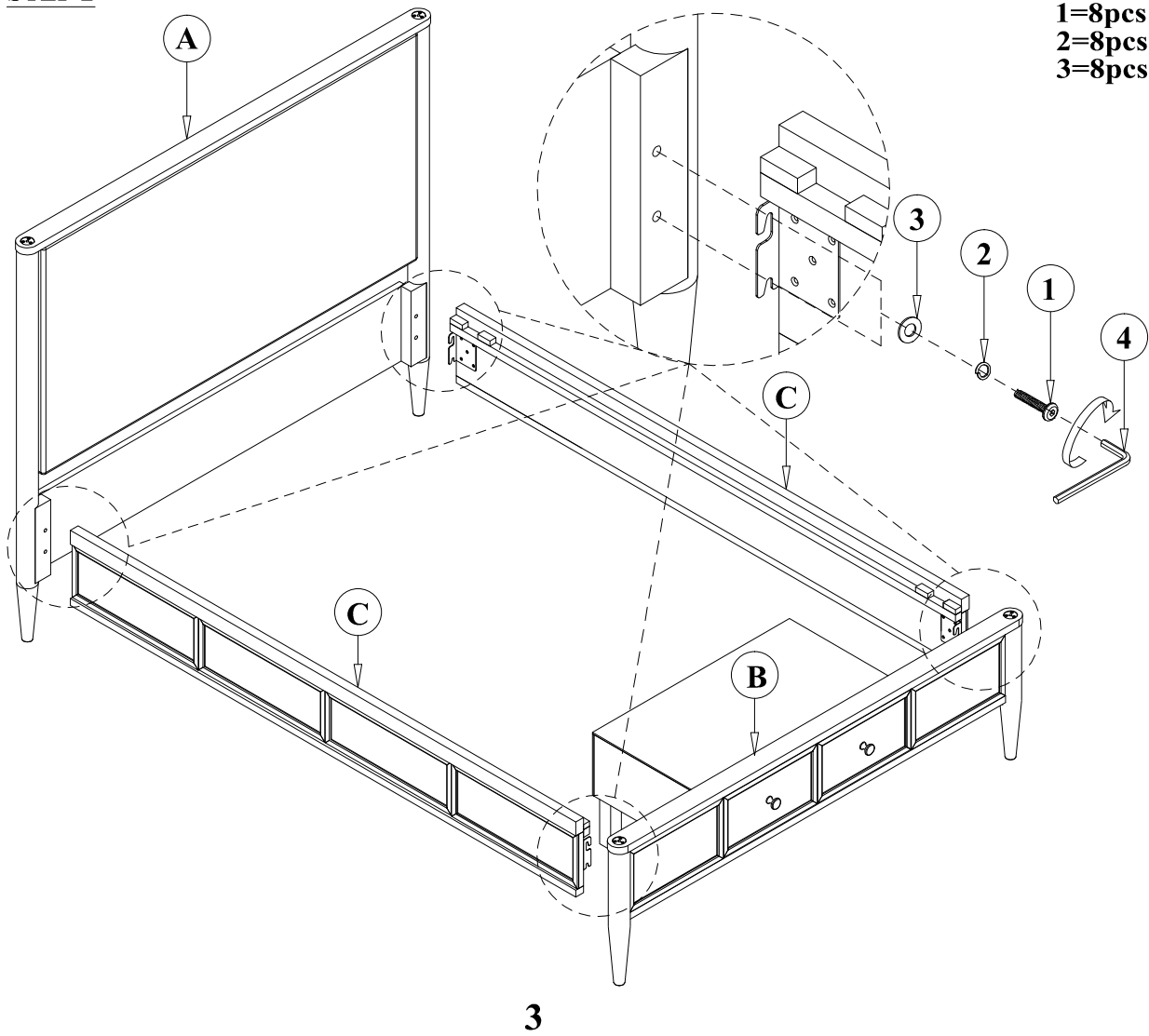
STEP 1

6=2pcs
7=2pcs
8=2pcs

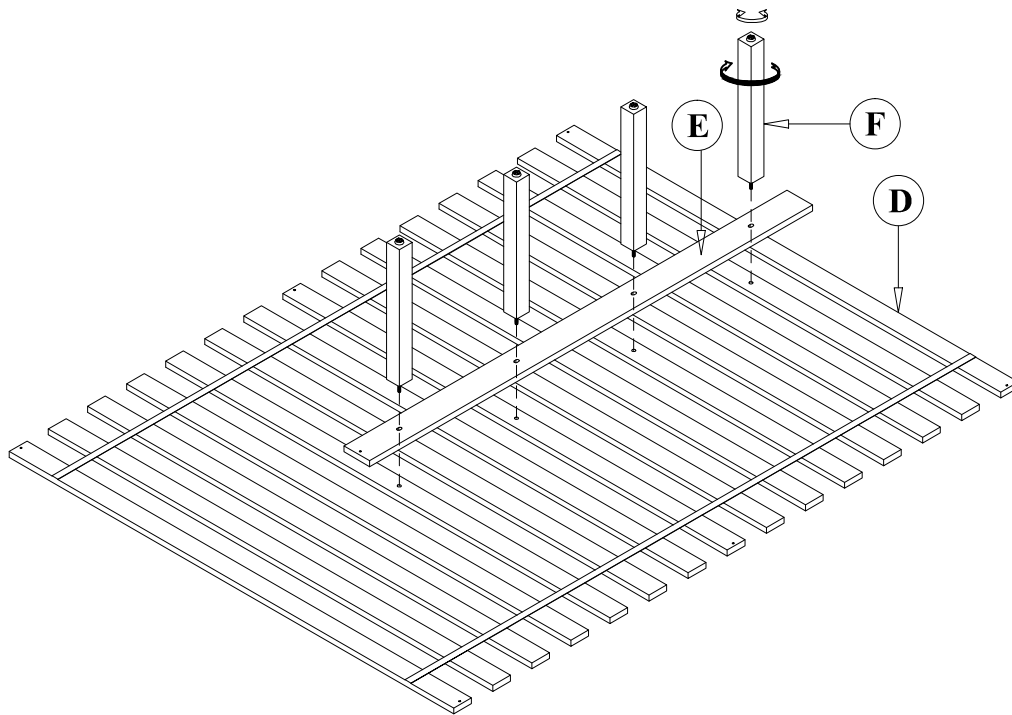


STEP 2

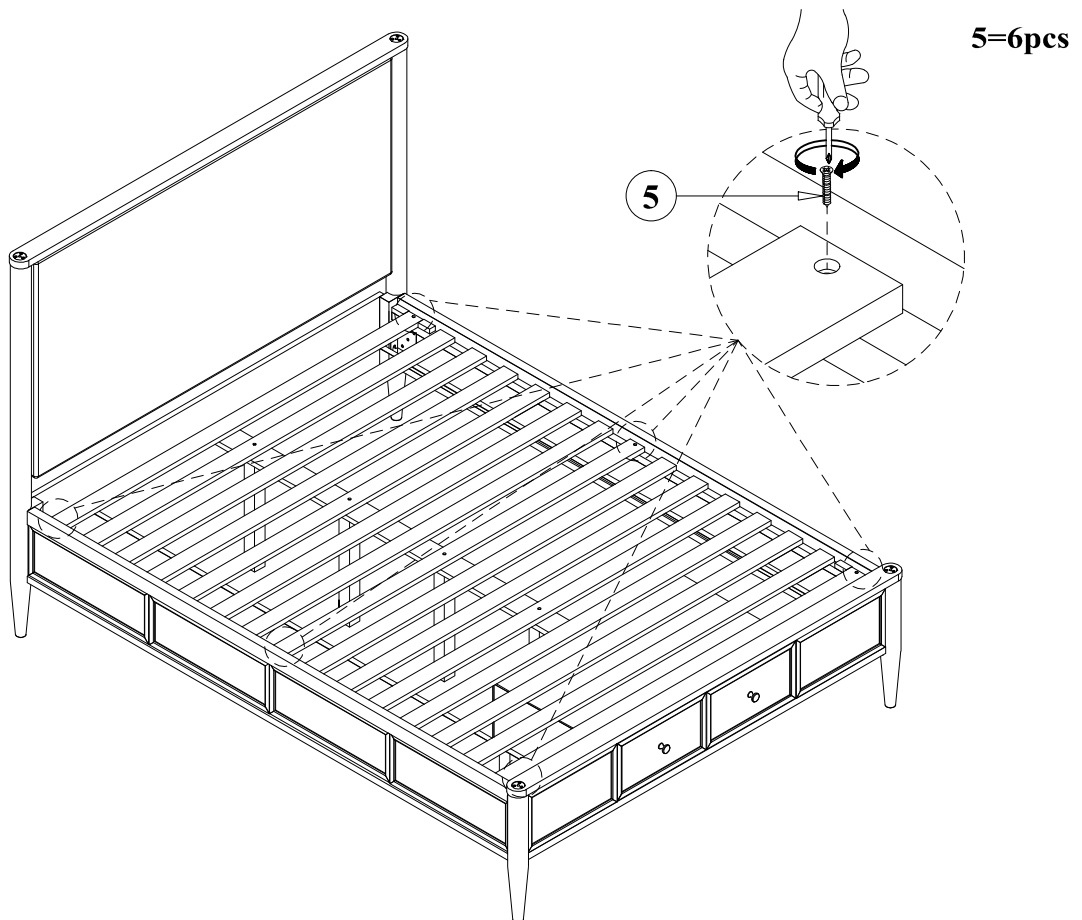
1=8pcs
2=8pcs
3=8pcs



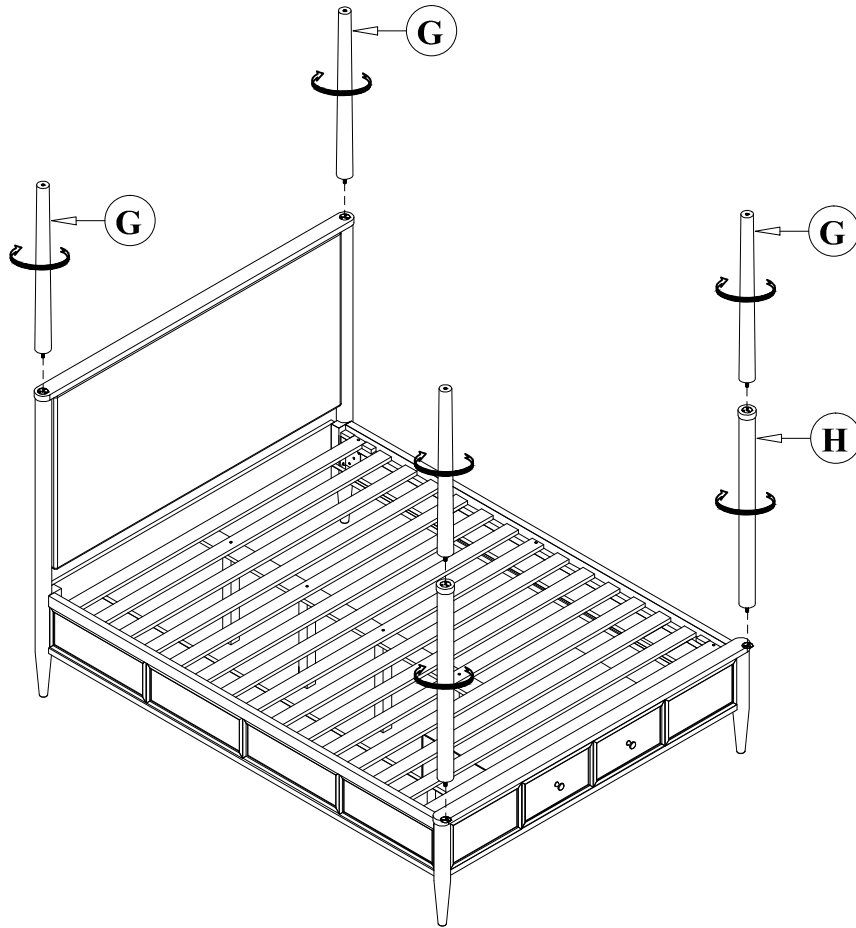
STEP 3



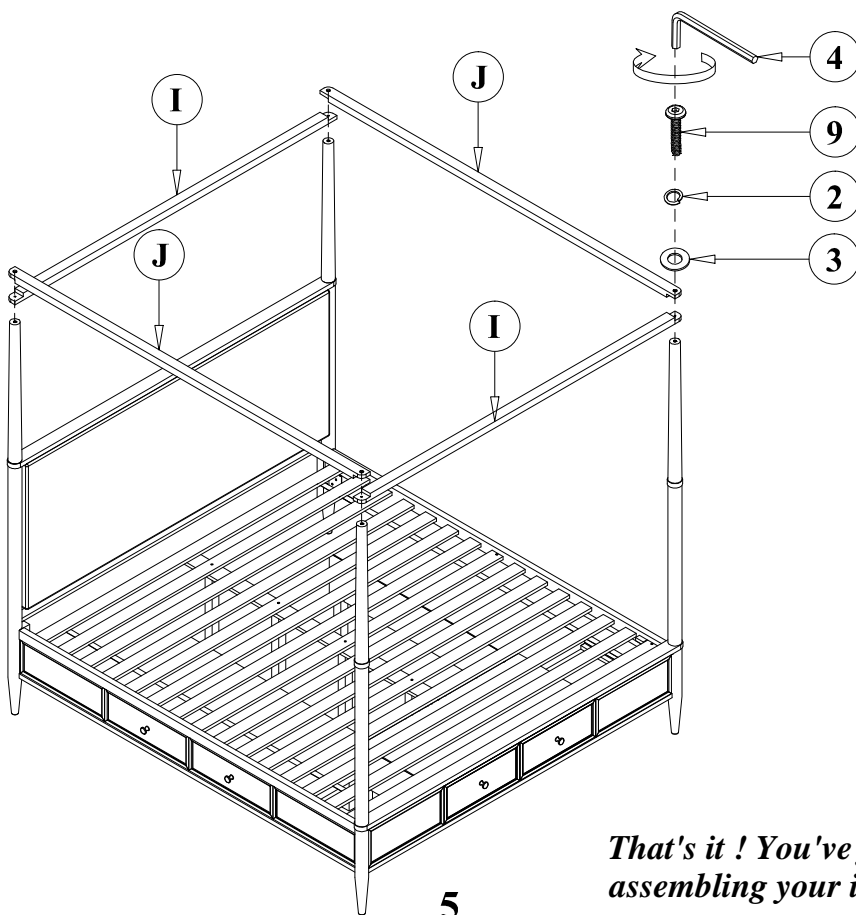
STEP 4



STEP 5



STEP 6



*That's it ! You've finished
assembling your item. Thank you!*