



LIVING SPACES

ASSEMBLY INSTRUCTIONS

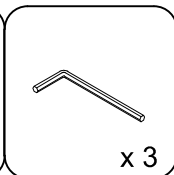
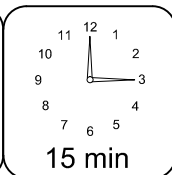
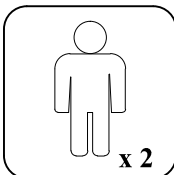
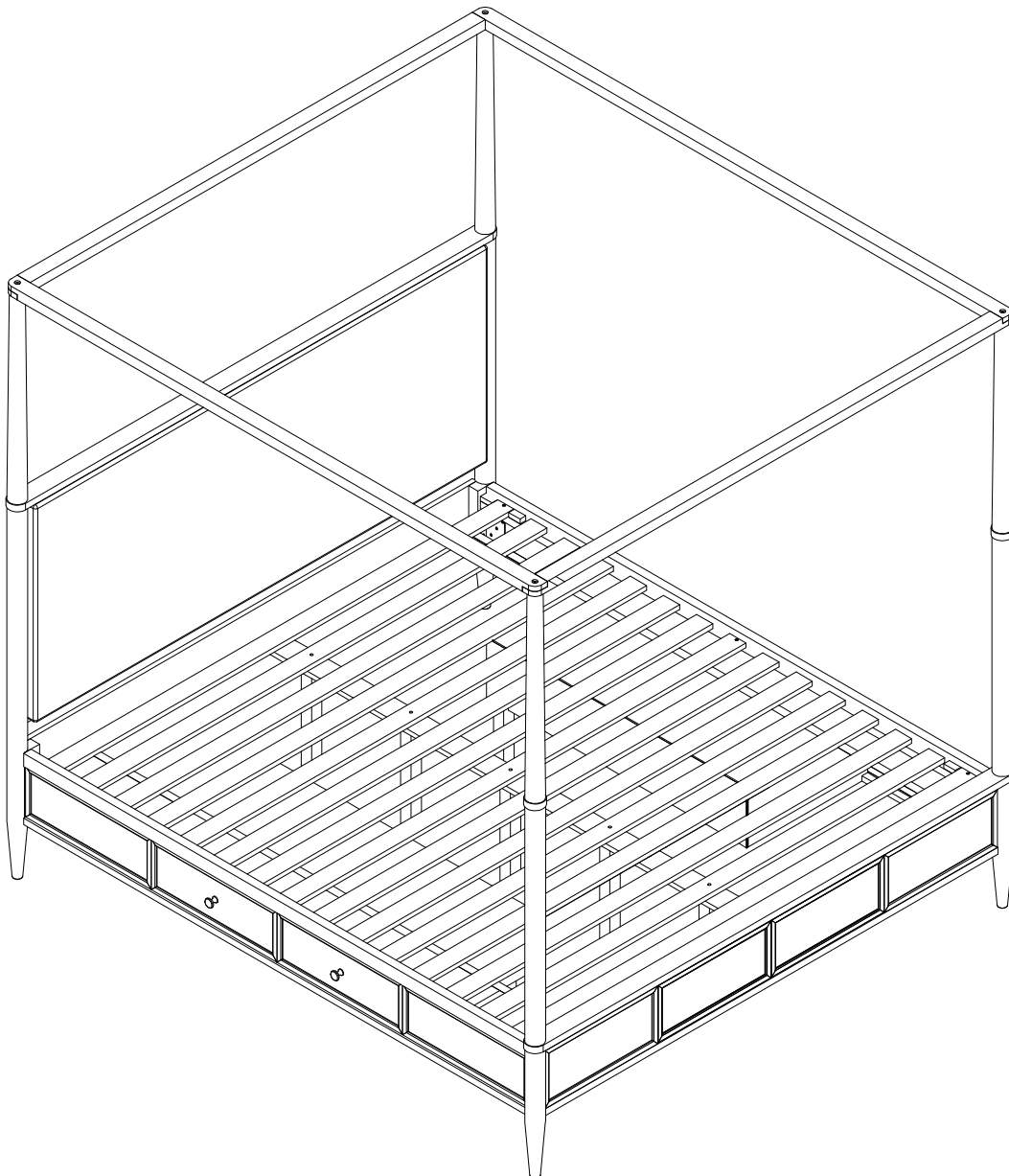
AUSTEN QN UPH HEADBOARD/POSTS CANOPY BED

AUSTEN QN NON-STORAGE FOOTBOARD/SLATS/POSTS CANOPY BED SKU:318039/318040/318056/318042




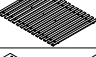
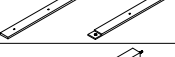




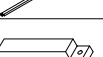

AUSTEN QN/EK SINGLE STORAGE SIDE RAIL PANEL/CANOPY BED

AUSTEN QN STRECHERS CANOPY BED





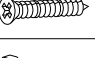



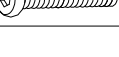
ITEM NO: B2101-137/B2101-138/B2101-190/B2101-140



1

PART	SKU#	IMAGE	DESCRIPTION	QTY
(A)	318039		Head Board	1
(B)	318040		Foot Board	1
(C)	318056		Storage Side Rail	2
(D)	318040		Slat	1 set
(E)	318040		Middle Support Bar	2
(F)	318040		Support With Leveler	5
(G)	318039/318040		Head Board/Foot Board Posts canopy	4
(H)	318040		Foot Board Posts canopy	2
(I)	318042		Head Board/Foot Board canopy	2
(J)	318042		Lift/Right canopy rail	2
(K)	318056		Side Rail back leg	4

Hardware List

PART	SKU#	IMAGE	DESCRIPTION	QTY
(1)	318056		Bolts 5/16" *25mm	8
(2)	318056/318042		Spring Washer 5/16" Dia	12
(3)	318056/318042		Flat Washer 5/16" * Dia	12
(4)	318056/318042		Allen key	3
(5)	318040		Screw #8* 30mm	6
(6)	318056		Bolts 1/4" *38mm	4
(7)	318056		Spring Washer 1/4"*11mm	4
(8)	318056		Flat Washer 1/4" *19mm	4
(9)	318042		Bolts 5/16" *60mm	4

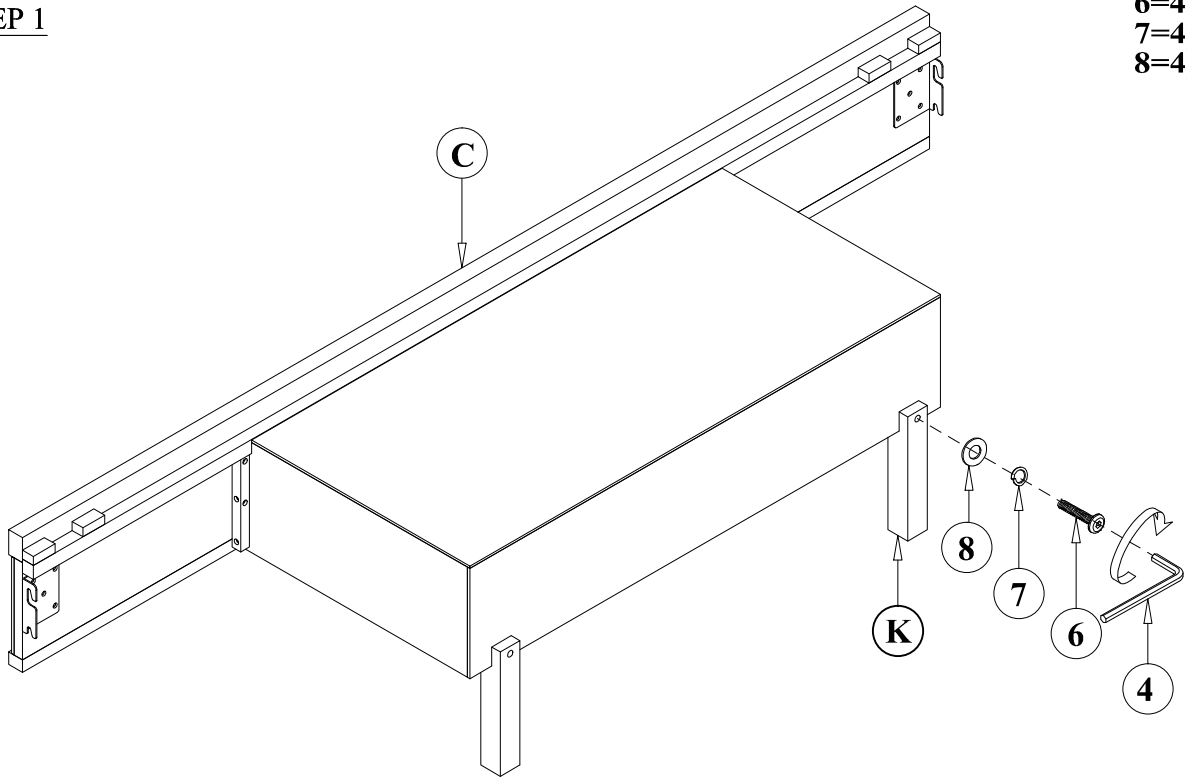
THE HARDWARE IS LOCATED IN THE PACKING ITEM

**MUST: TIGHTEN SCREWS PERIODICALLY. WITH USE SCREW
MAY ENCOME LOOSE CHECK TIGHTNESS OF ALL SCREWS EVERY 6-8
WEEKS.**

CLEANING INSTRUCTIONS:

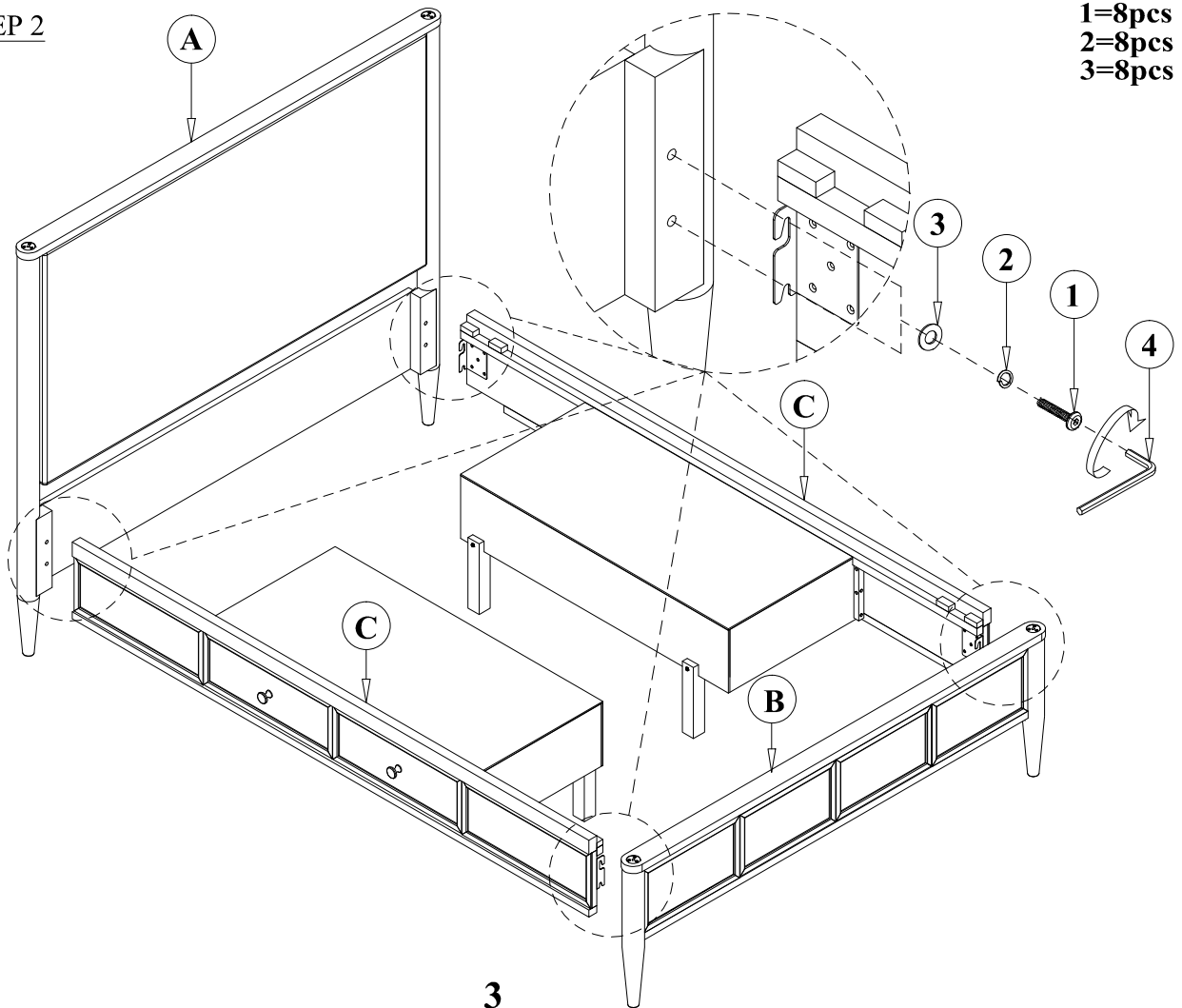
After assembly, clean and polish the completed parts if necessary with soft cloth and industrial recognized furniture polish.

STEP 1



6=4pcs
7=4pcs
8=4pcs

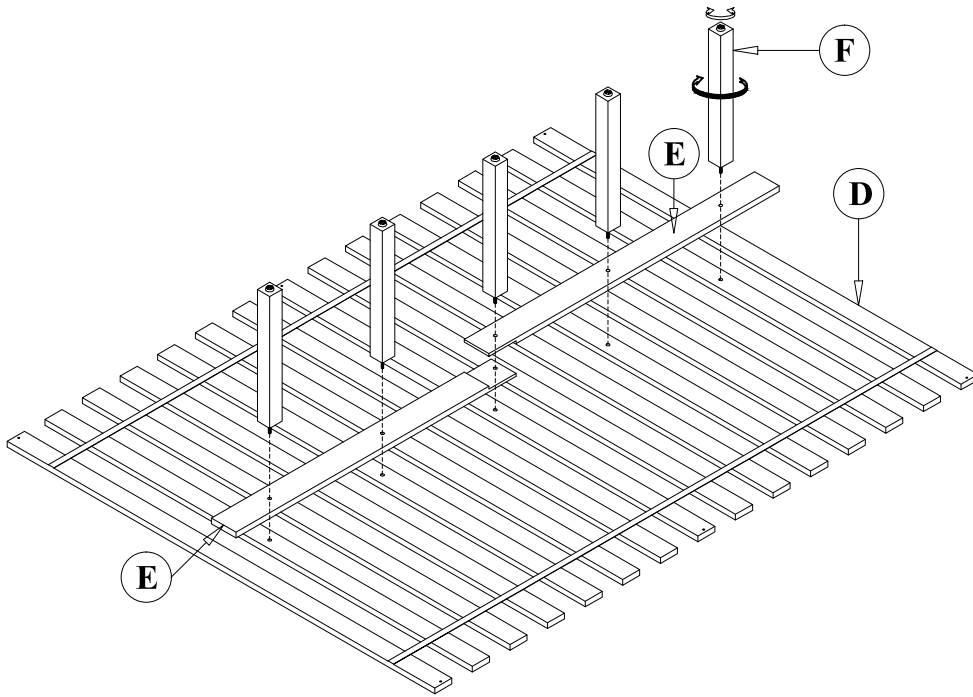
STEP 2



1=8pcs
2=8pcs
3=8pcs

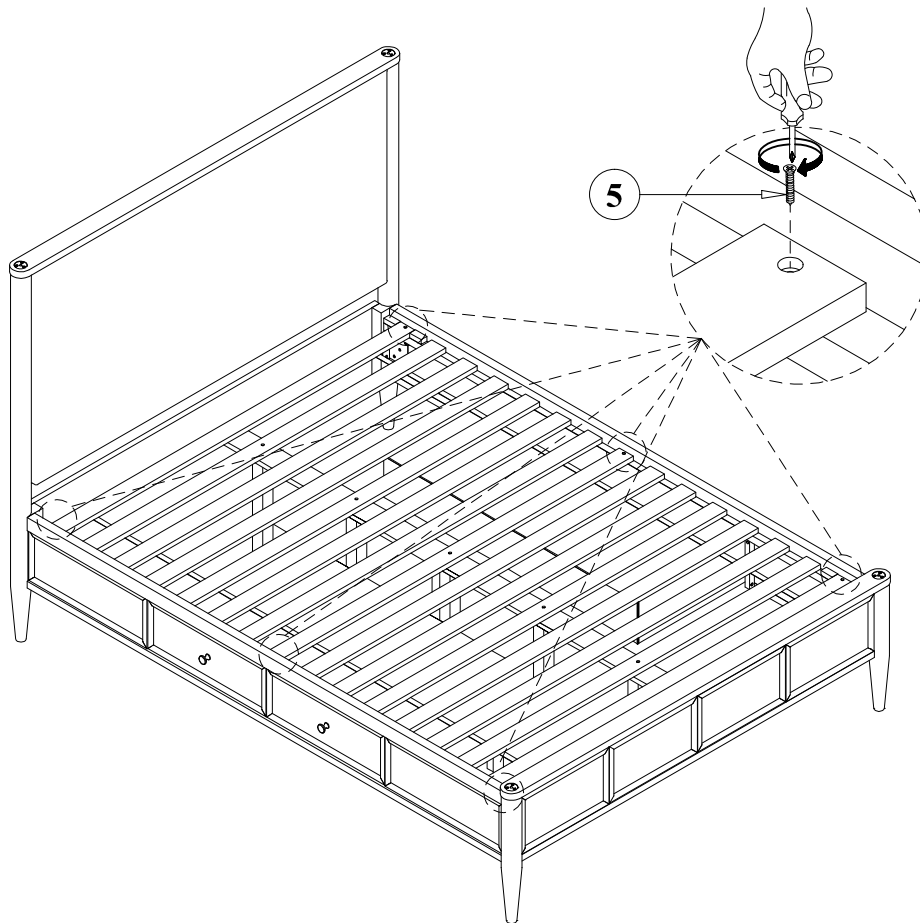
3

STEP 3

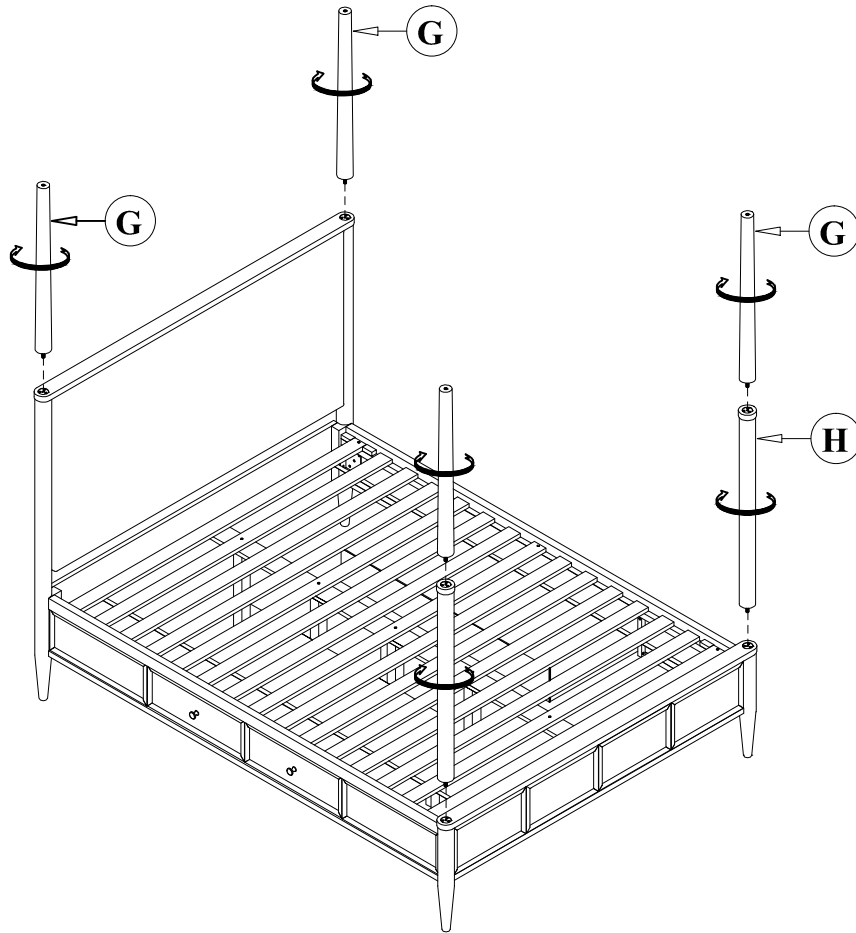


STEP 4

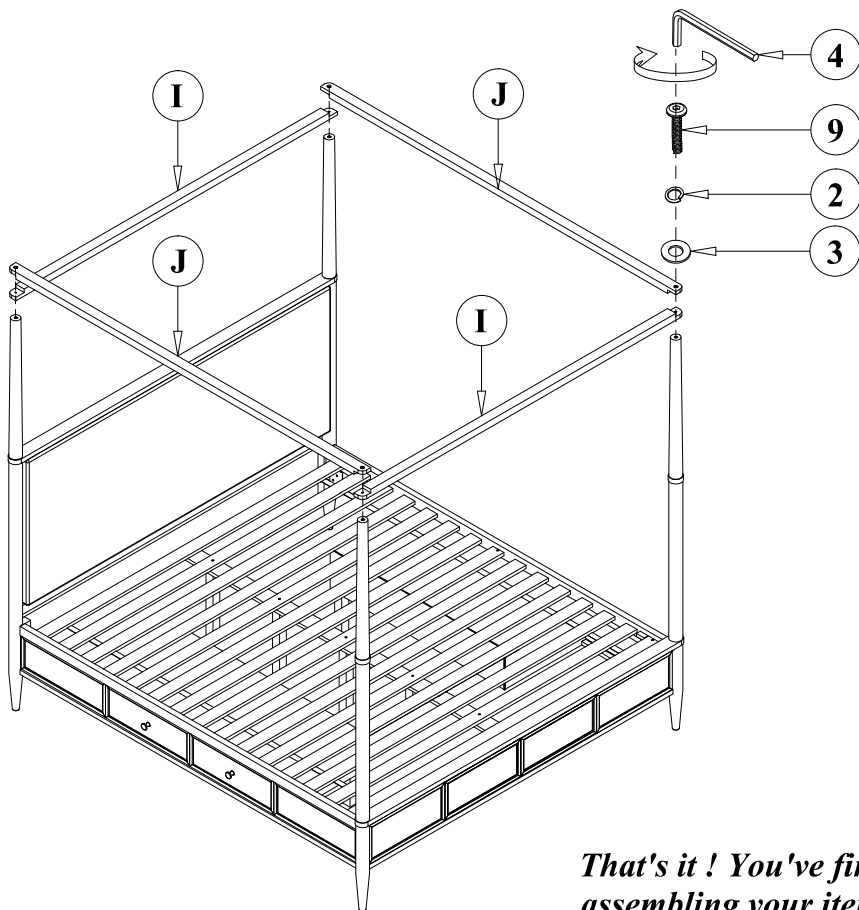
5=6pcs



STEP 5



STEP 6



That's it ! You've finished assembling your item. Thank you!