



LIVING SPACES

# ASSEMBLY INSTRUCTIONS

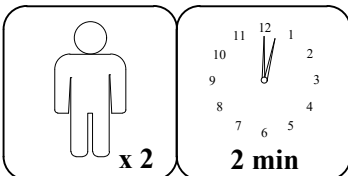
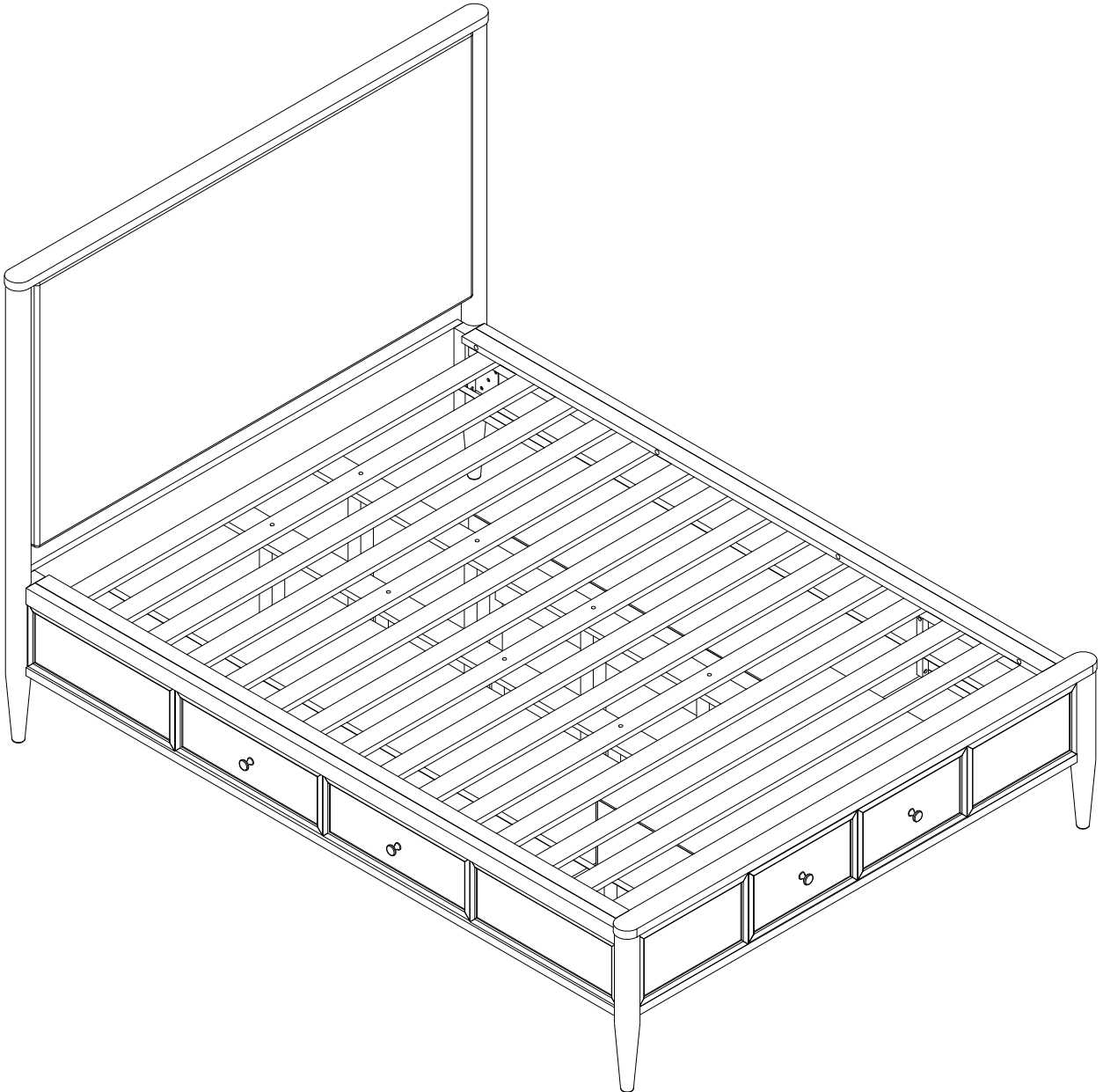
**AUSTEN CK/EK UPH HEADBOARD PANEL BED**

**AUSTEN CK/EK STORAGE FOOTBOARD/SLATS PANEL BED**


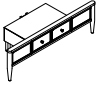
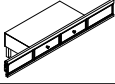
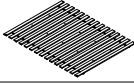
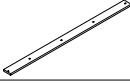
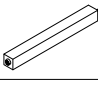
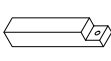

**SKU:318034/318025/318059**

**AUSTEN CK SINGLE STORAGE SIDE RAIL PANEL/CANOPY BED**





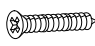




**ITEM NO: B2101-136/B2101-135/B2101-193**



**1**

PART	SKU#	IMAGE	DESCRIPTION	QTY
(A)	318034		Head Board	1
(B)	318035		Storage Foot Board	1
(C)	318059		Storage Side Rail	2
(D)	318035		Slat	1 set
(E)	318035		Middle Support Bar	2
(F)	318035		Support With Leveler	8
(G)	318035/318059		Foot Board, Side Rail back leg	6
(H)	318059		Cap Rail	2

#### Hardware List

PART	SKU#	IMAGE	DESCRIPTION	QTY
(1)	318059		Bolts 5/16" * 25mm	8
(2)	318059		Spring Washer 5/16" Dia	8
(3)	318059		Flat Washer 5/16" * Dia	8
(4)	318035/318059		Allen key	2
(5)	318035		Screw #8* 30mm	6
(6)	318035/318059		Bolts 1/4" * 38mm	6
(7)	318035/318059		Spring Washer 1/4" * 11mm	6
(8)	318035/318059		Flat Washer 1/4" * 19mm	6
(9)	318059		Bolts 1/4" * 45mm	8

#### THE HARDWARE IS LOCATED IN THE PACKING ITEM

**MUST: TIGHTEN SCREWS PERIODICALLY. WITH USE SCREW MAY ENCOME LOOSE CHECK TIGHTNESS OF ALL SCREWS EVERY 6-8 WEEKS.**

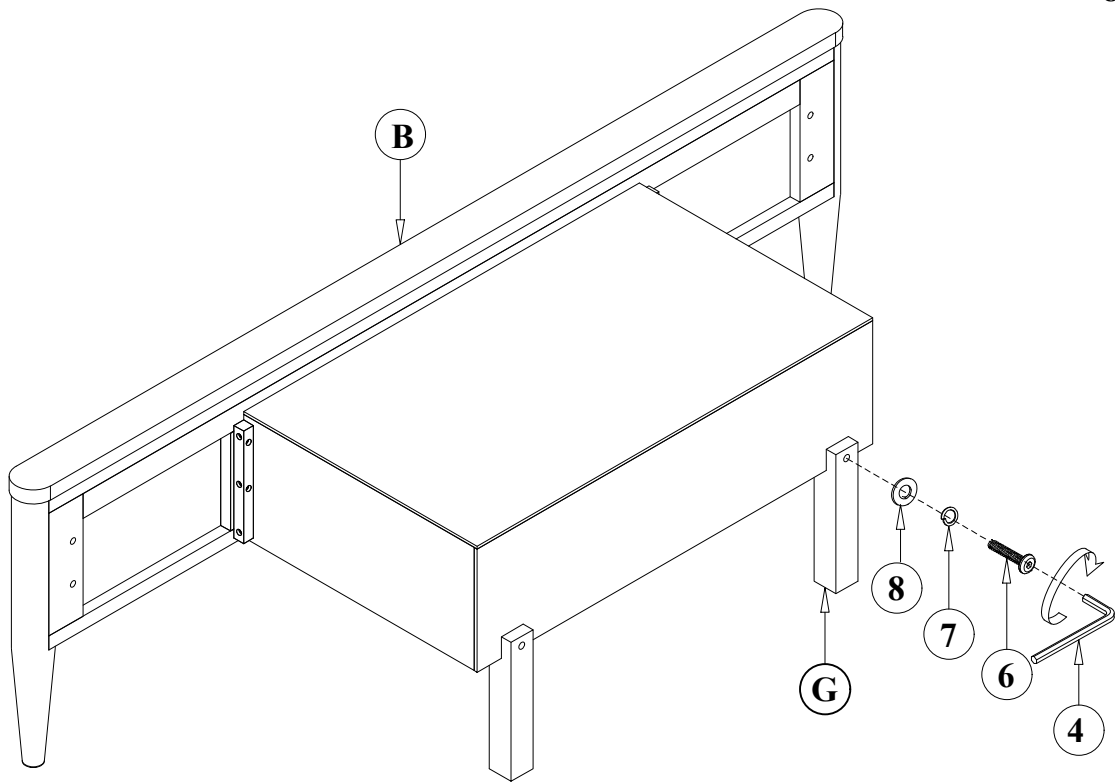
#### CLEANING INSTRUCTIONS:

After assembly, clean and polish the completed parts if necessary with soft cloth and industrial recognized furniture polish.

**STEP 1**

**B**

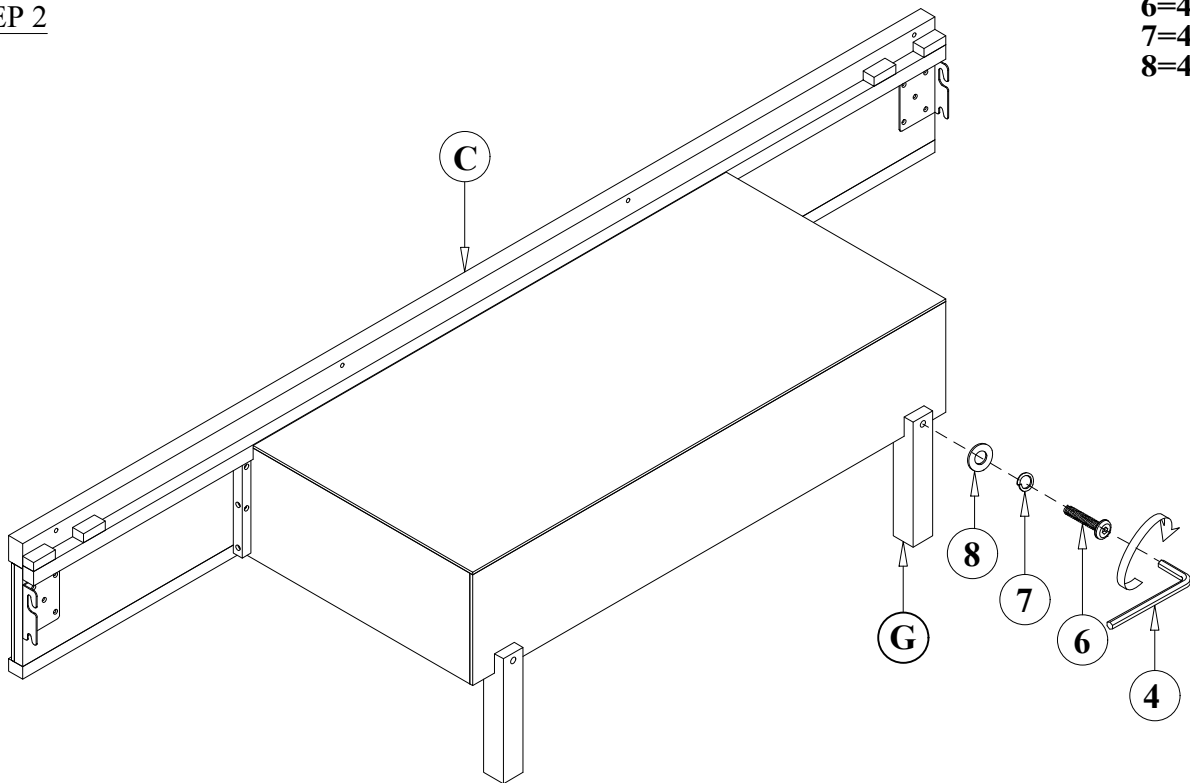
**6=2pcs**  
**7=2pcs**  
**8=2pcs**



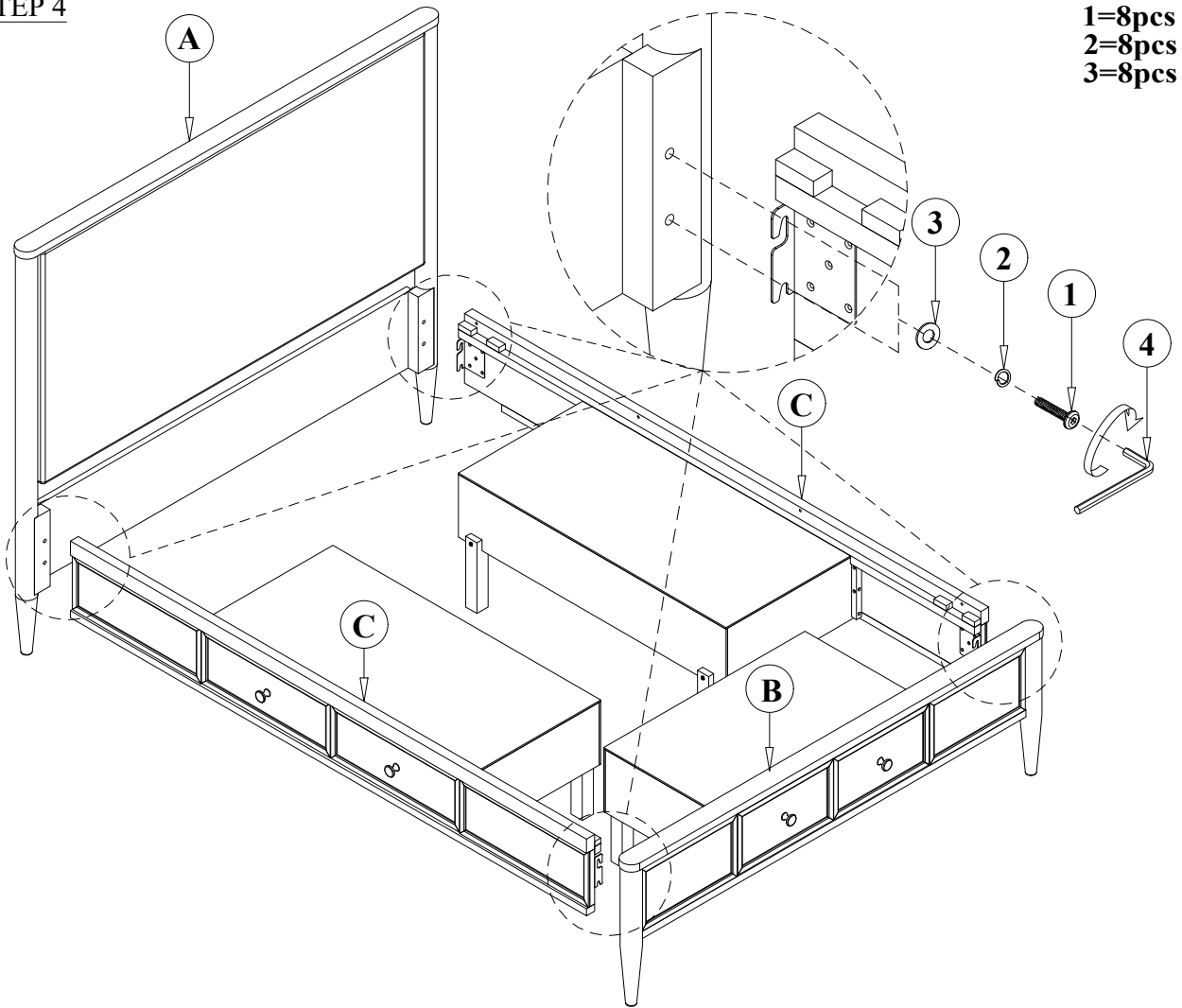
**STEP 2**

**C**

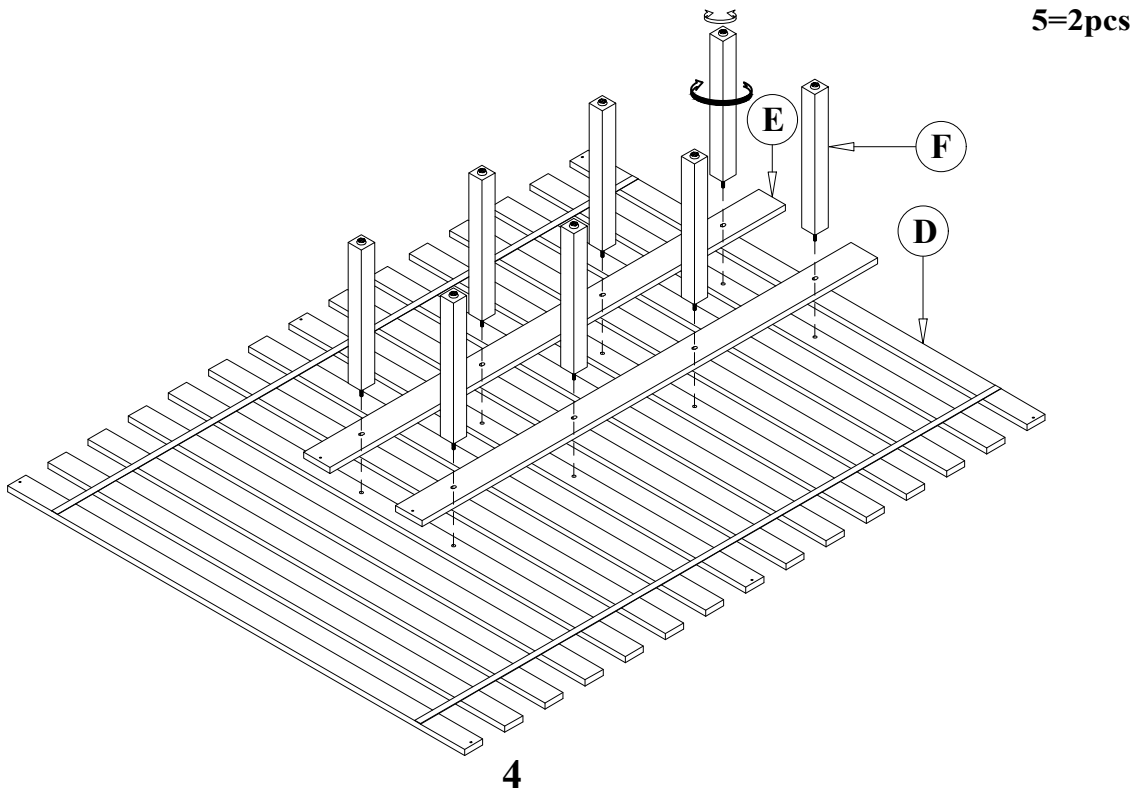
**6=4pcs**  
**7=4pcs**  
**8=4pcs**



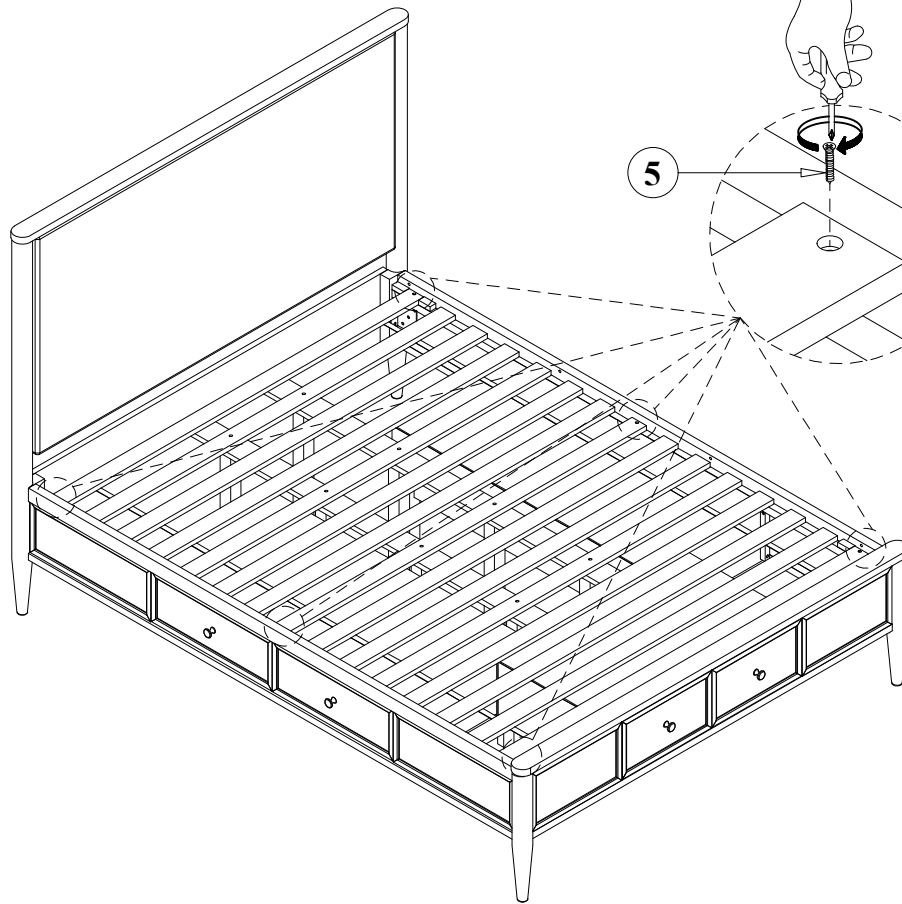
**STEP 4**



**STEP 5**

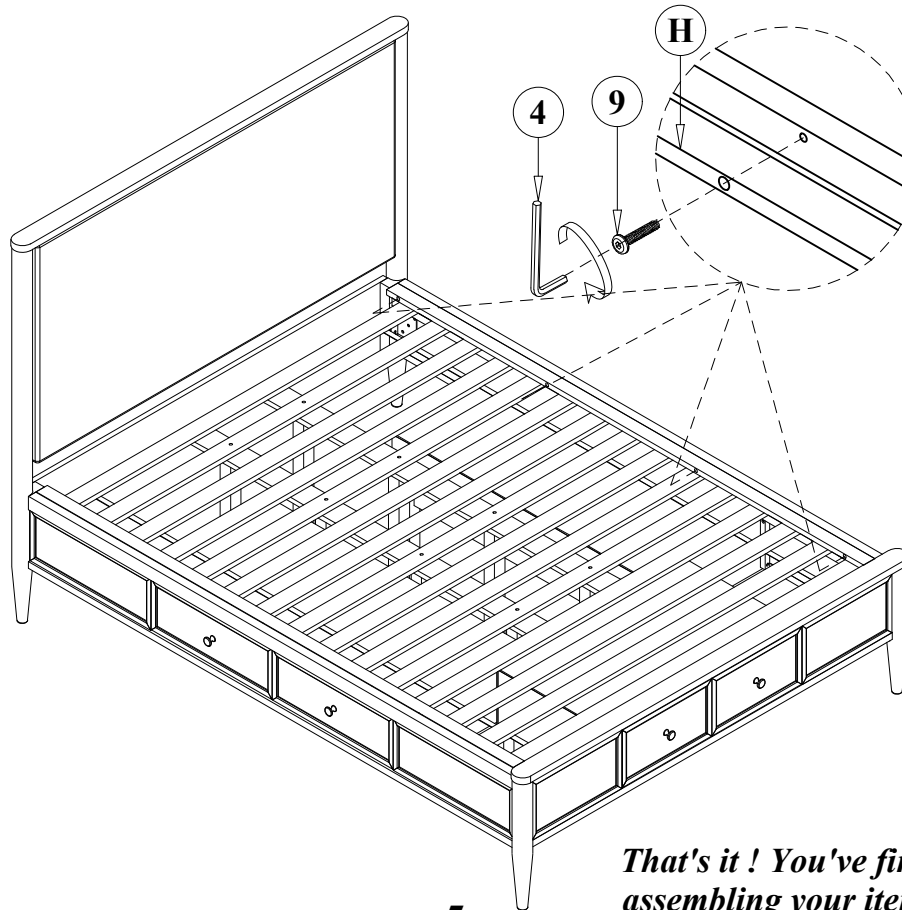


**STEP 6**



**5=6pcs**

**STEP 7**



**6=8pcs**

**5**

***That's it ! You've finished assembling your item. Thank you!***