



LIVING SPACES

# ASSEMBLY INSTRUCTIONS

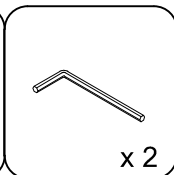
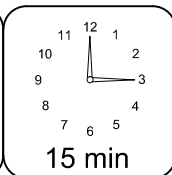
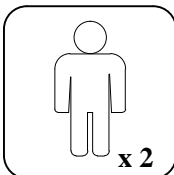
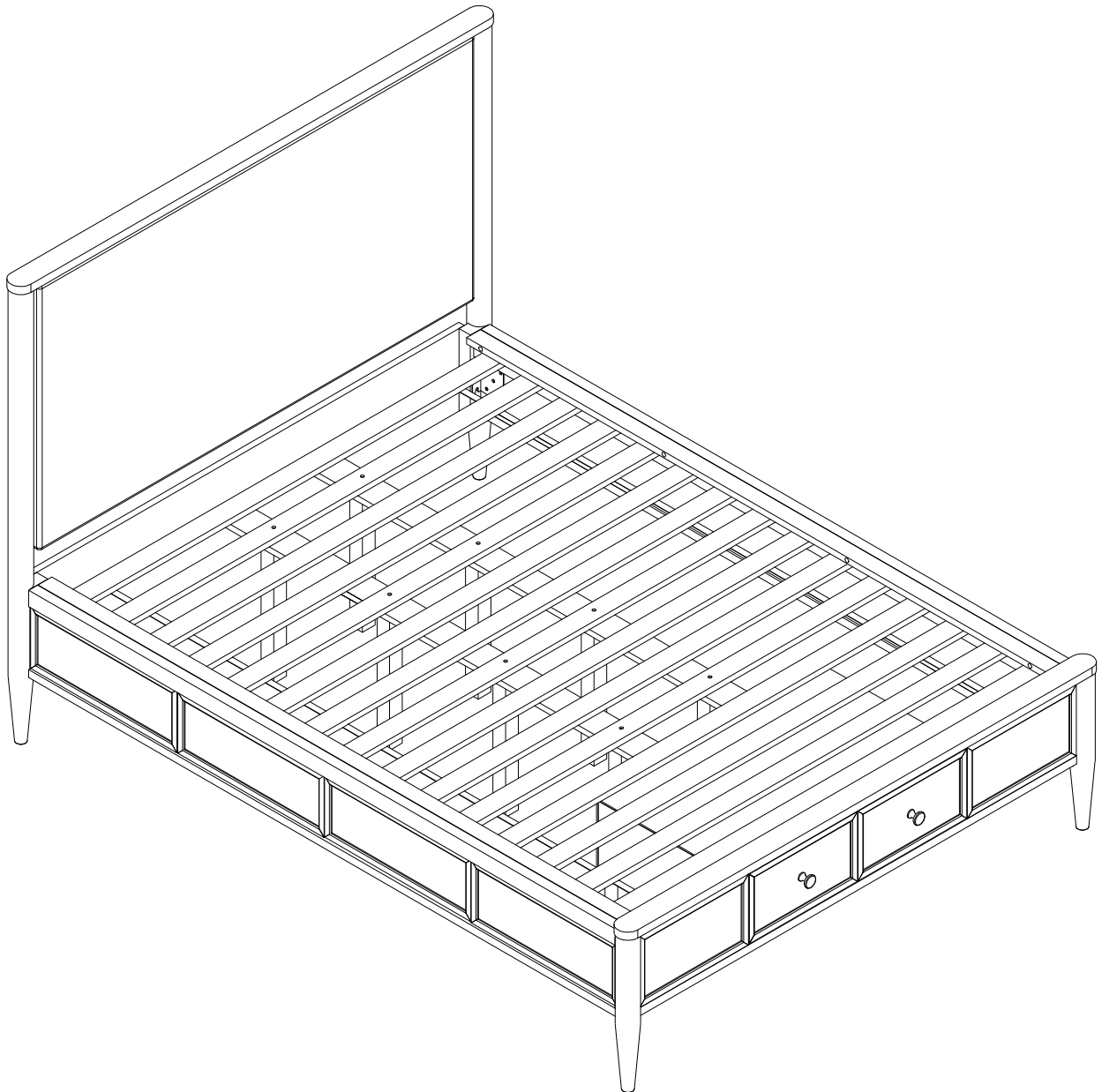
**AUSTEN CK/EK UPH HEADBOARD PANEL BED**

**AUSTEN CK/EK STORAGE FOOTBOARD/SLATS PANEL BED**


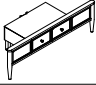
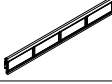
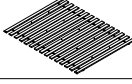
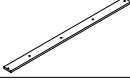
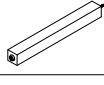
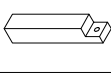

**SKU:318034/318025/318058**

**AUSTEN CK NON-STORAGE SIDE RAILS PANEL/CANOPY BED**

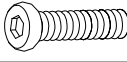



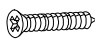
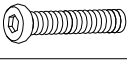



**ITEM NO: B2101-136/B2101-135/B2101-192**



**1**

PART	SKU#	IMAGE	DESCRIPTION	QTY
(A)	318034		Head Board	1
(B)	318025		Storage Foot Board	1
(C)	318058		Side Rail	2
(D)	318025		Slat	1 set
(E)	318025		Middle Support Bar	2
(F)	318025		Support With Leveler	8
(G)	318025		Foot Board back leg	2
(H)	318058		Cap Rail	2

**Hardware List**

PART	SKU#	IMAGE	DESCRIPTION	QTY
(1)	318058		Bolts 5/16" *25mm	8
(2)	318058		Spring Washer 5/16" Dia	8
(3)	318058		Flat Washer 5/16" * Dia	8
(4)	318025/318058		Allen key	2
(5)	318025		Screw #8* 30mm	6
(6)	318025		Bolts 1/4" *38mm	2
(7)	318025		Spring Washer 1/4"*11mm	2
(8)	318025		Flat Washer 1/4" *19mm	2
(9)	318058		Bolts 1/4" *45mm	8

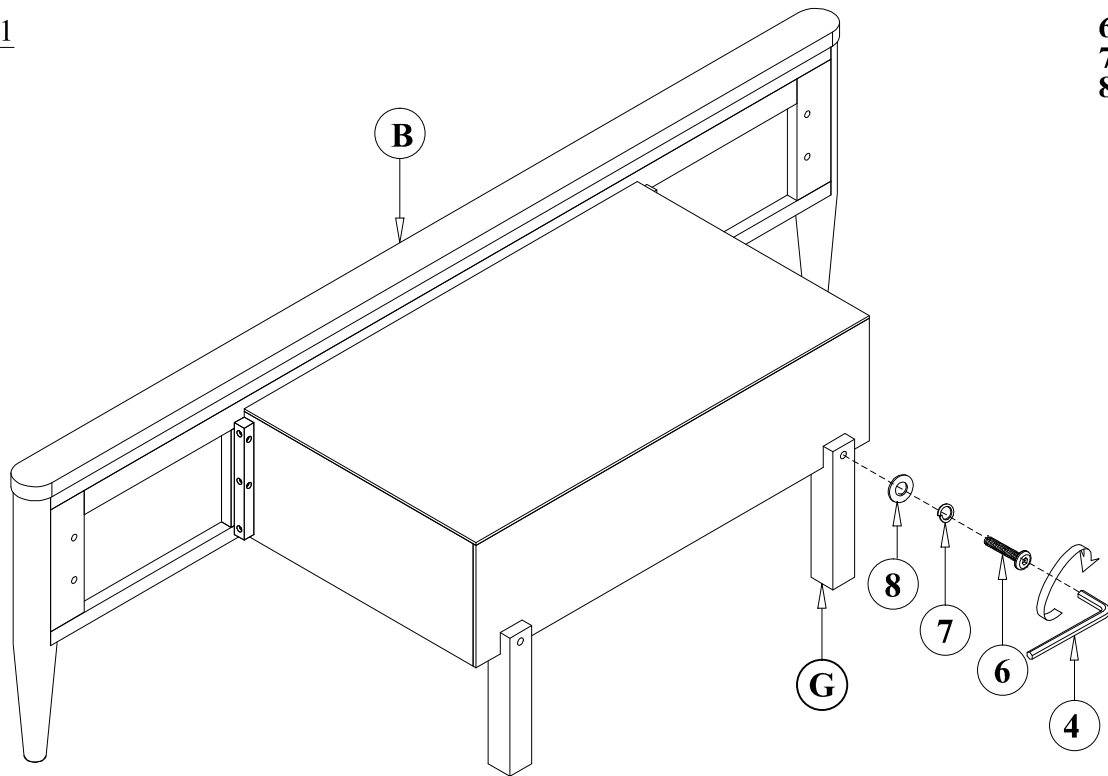
**THE HARDWARE IS LOCATED IN THE PACKING ITEM**

**MUST: TIGHTEN SCREWS PERIODICALLY. WITH USE SCREW MAY ENCOME LOOSE CHECK TIGHTNESS OF ALL SCREWS EVERY 6-8 WEEKS.**

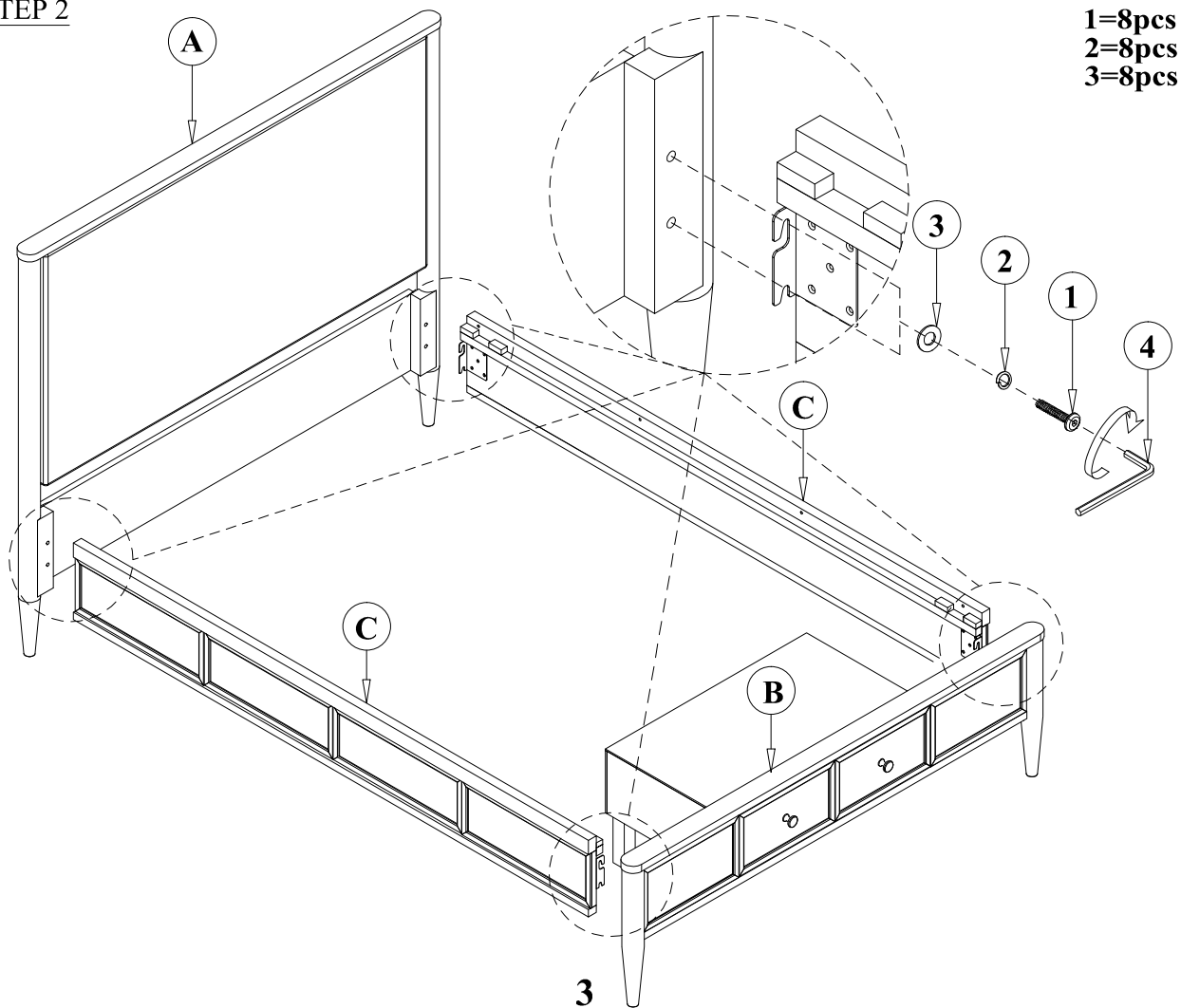
**CLEANING INSTRUCTIONS:**

**After assembly, clean and polish the completed parts if necessary with soft cloth and industrial recognized furniture polish.**

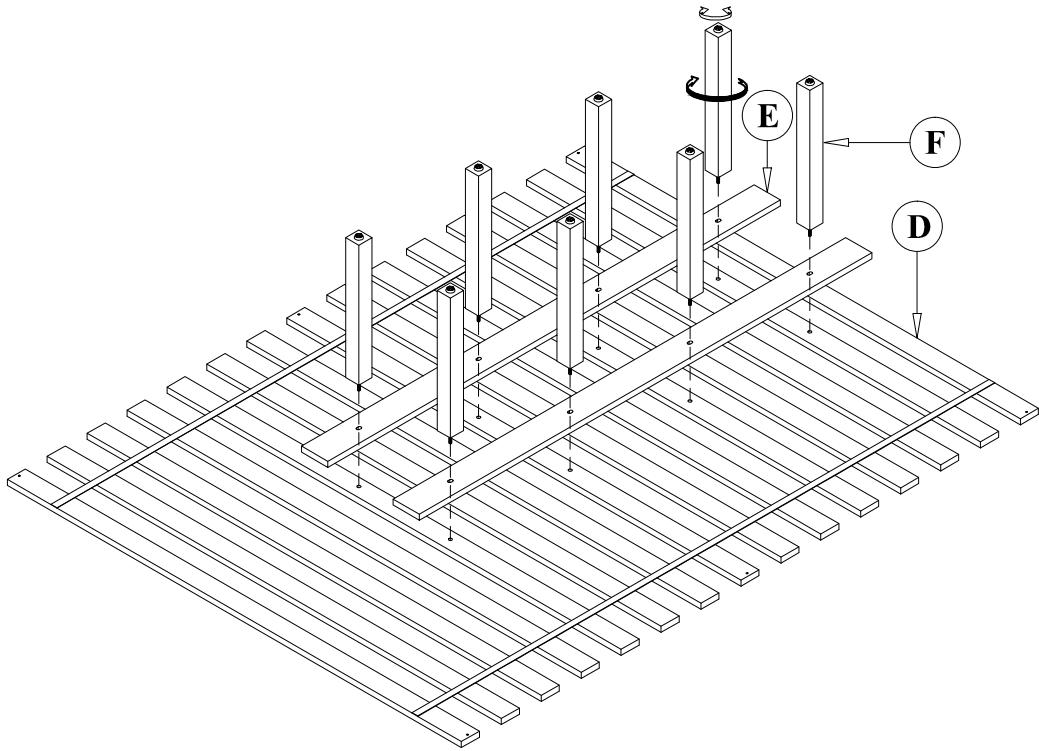
**STEP 1**



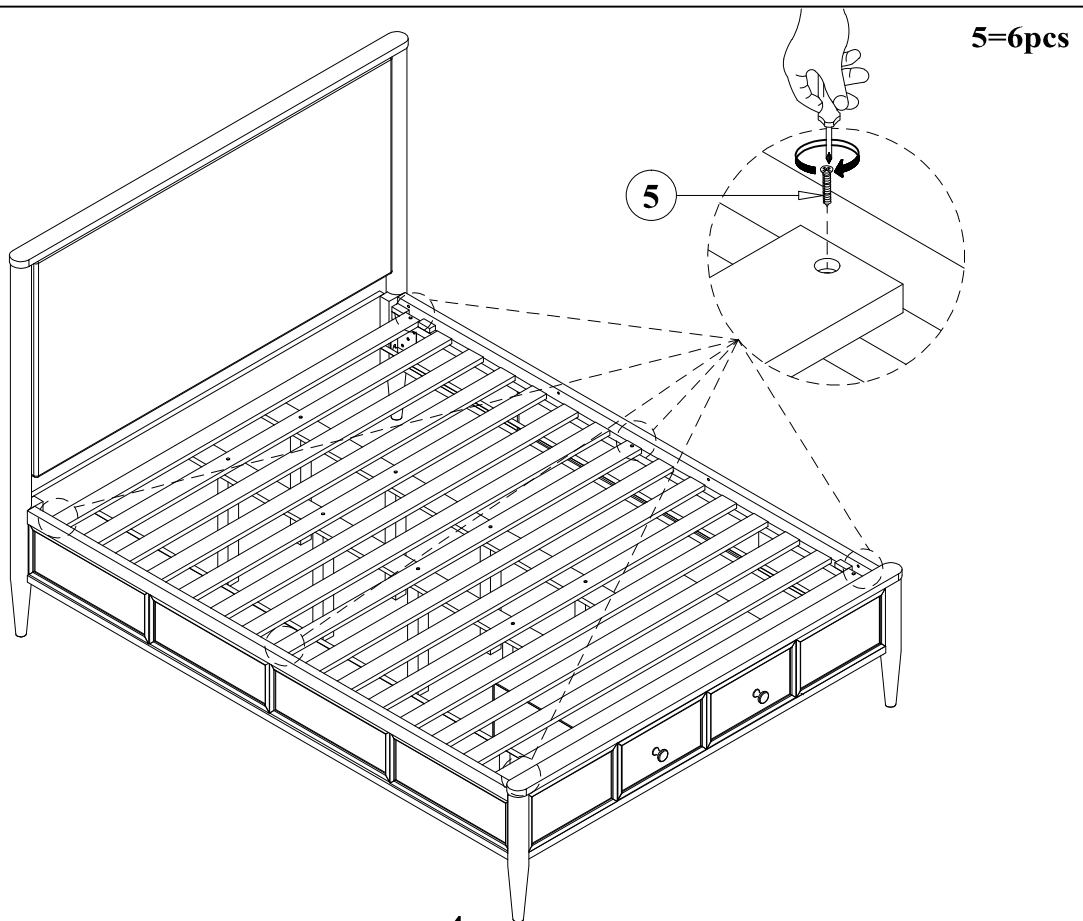
**STEP 2**



STEP 3

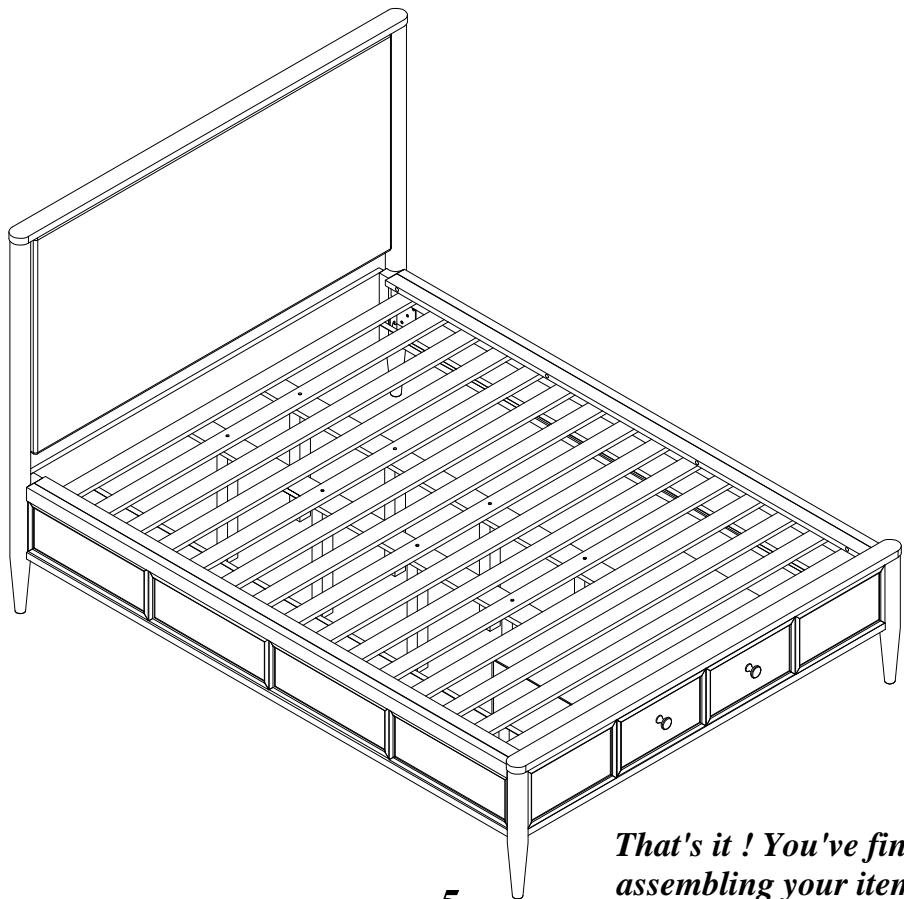
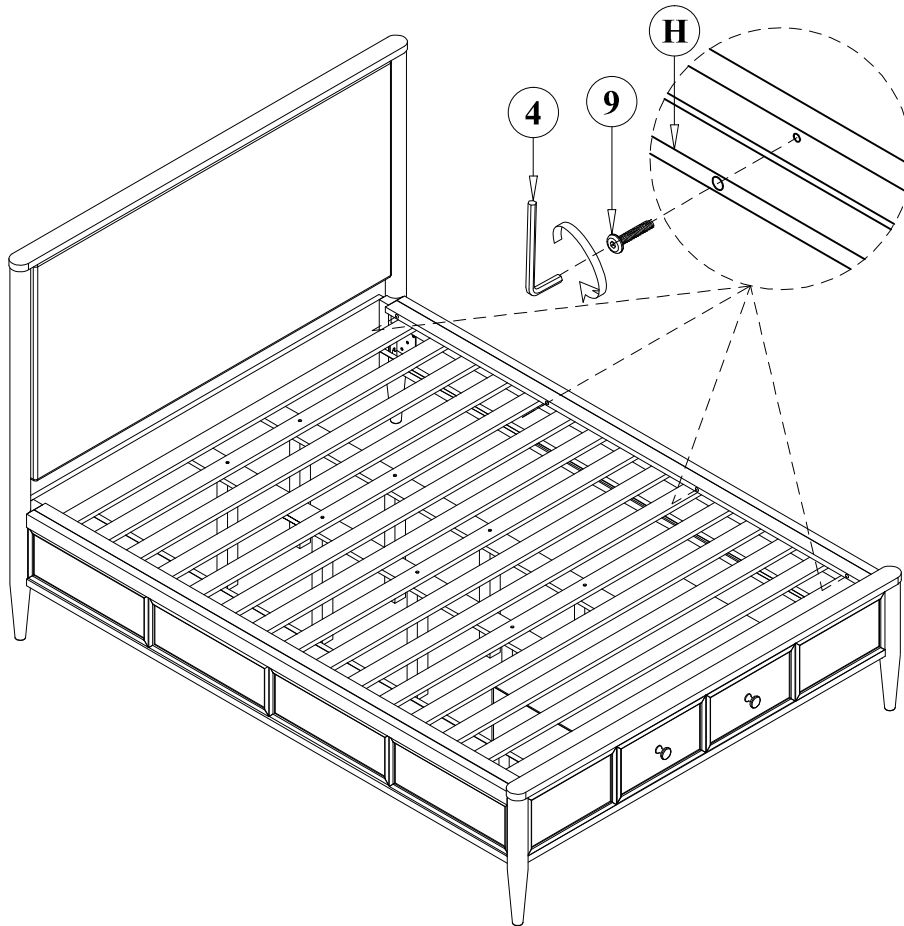


STEP 4



**STEP 5**

**6=8pcs**



**5**

***That's it ! You've finished assembling your item. Thank you!***