



LIVING SPACES

ASSEMBLY INSTRUCTIONS

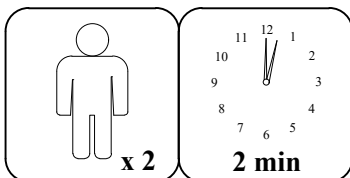
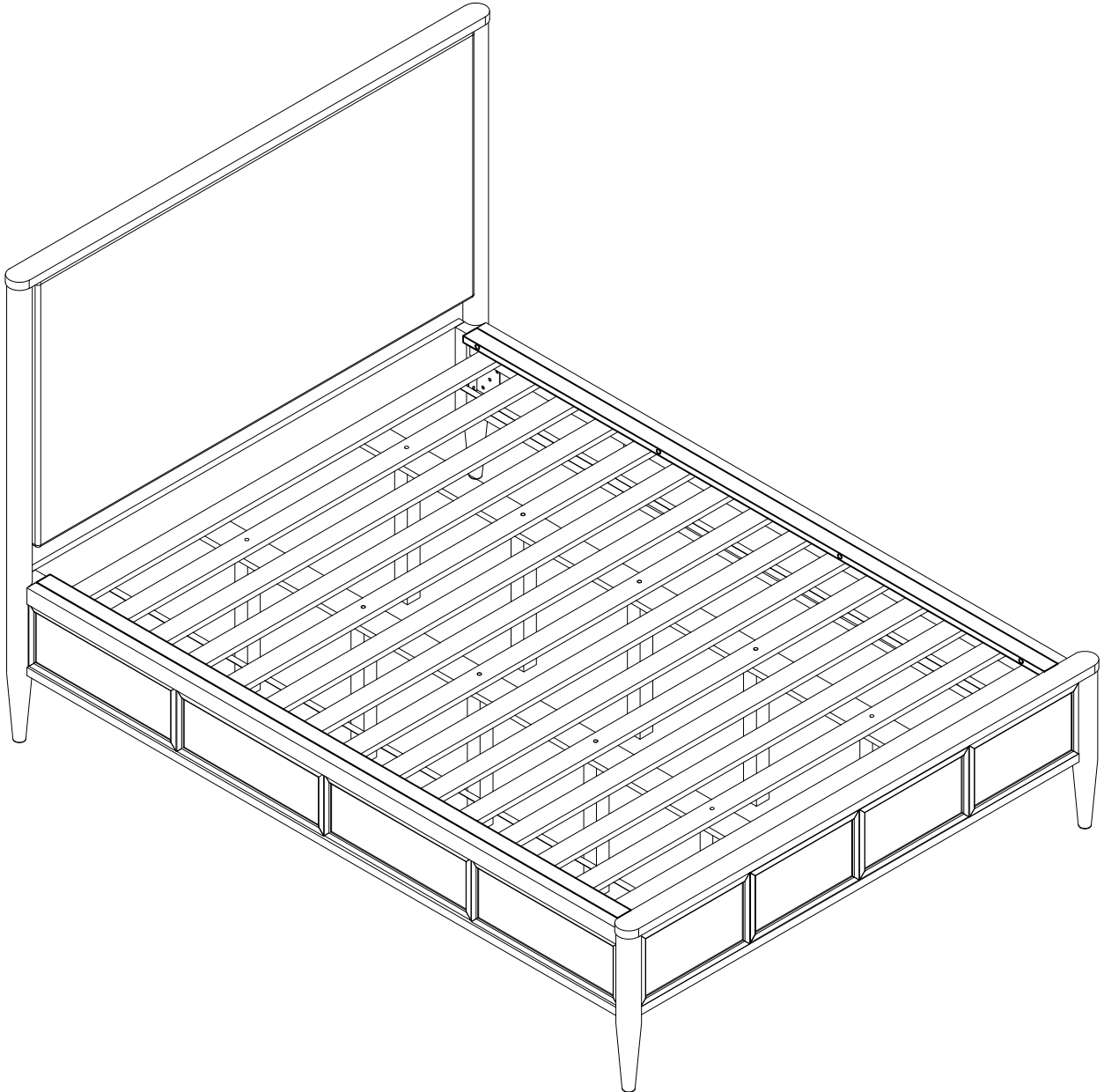
AUSTEN CK/EK UPH HEADBOARD PANEL BED

AUSTEN CK/EK NON-STORAGE FOOTBOARD/SLATS PANEL BED


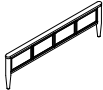
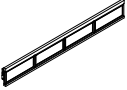
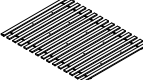
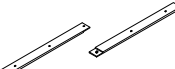
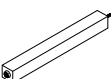

SKU:318034/318024/318058

AUSTEN CK NON-STORAGE SIDE RAILS PANEL/CANOPY BED

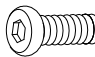


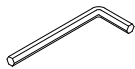
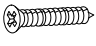

ITEM NO: B2101-136/B2101-134/B2101-192



1

PART	SKU#	IMAGE	DESCRIPTION	QTY
(A)	318034		Head Board	1
(B)	318024		Foot Board	1
(C)	318058		Side Rail	2
(D)	318024		Slat	1 set
(E)	318024		Middle Support Bar	4
(F)	318024		Support With Leveler	10
(G)	318058		Cap Rail	2

Hardware List

PART	SKU#	IMAGE	DESCRIPTION	QTY
(1)	318058		Bolts 5/16" *25mm	8
(2)	318058		Spring Washer 5/16" Dia	8
(3)	318058		Flat Washer 5/16" * Dia	8
(4)	318058		Allen key	1
(5)	318024		Screw #8* 30mm	6
(6)	318058		Bolts 1/4" *45mm	8

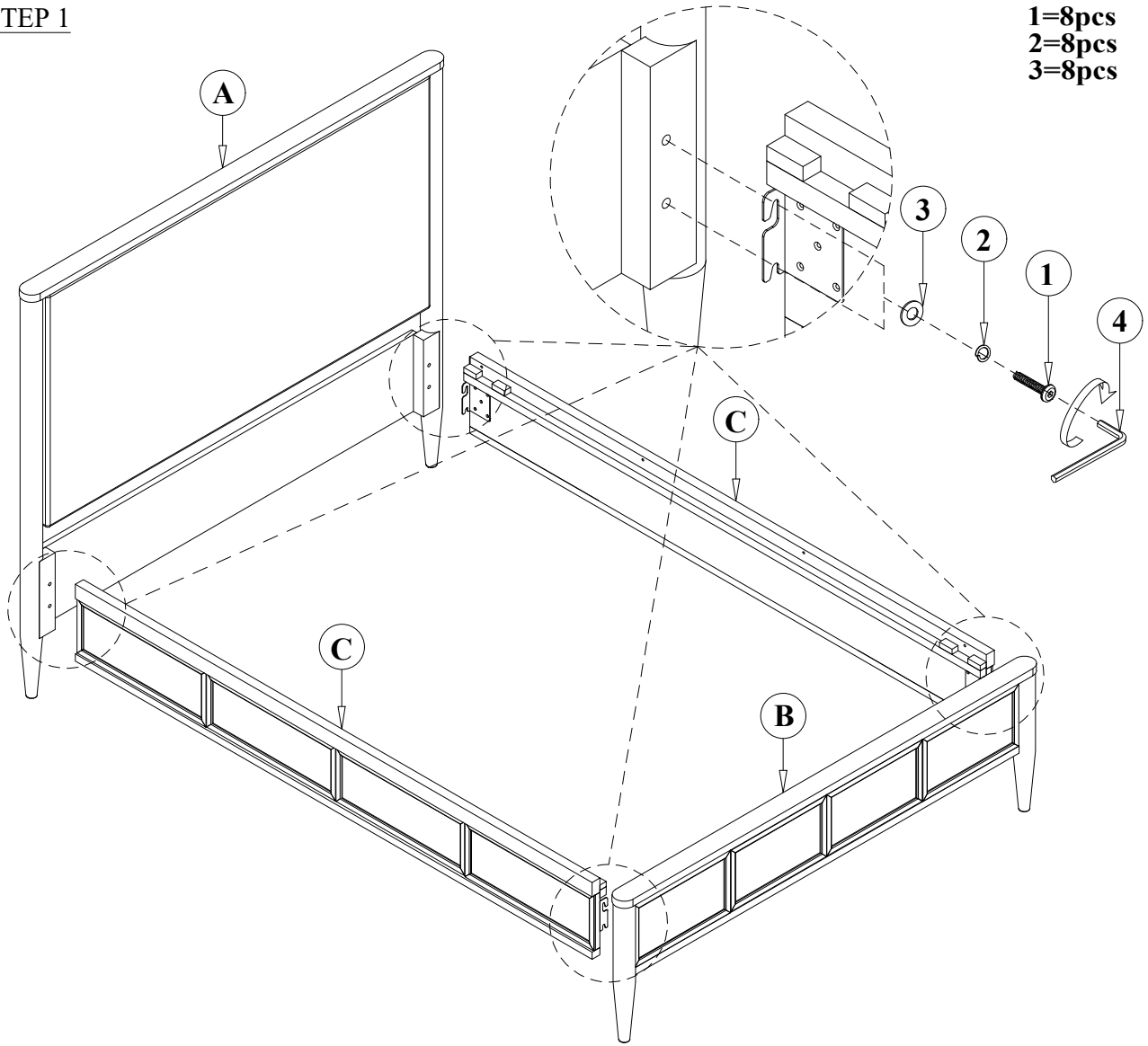
THE HARDWARE IS LOCATED IN THE PACKING ITEM

**MUST: TIGHTEN SCREWS PERIODIACLLY. WITH USE SCREW
MAY ENCOME LOOSE CHECK TIGHTNESS OF ALL SCREWS EVERY 6-8
WEEKS.**

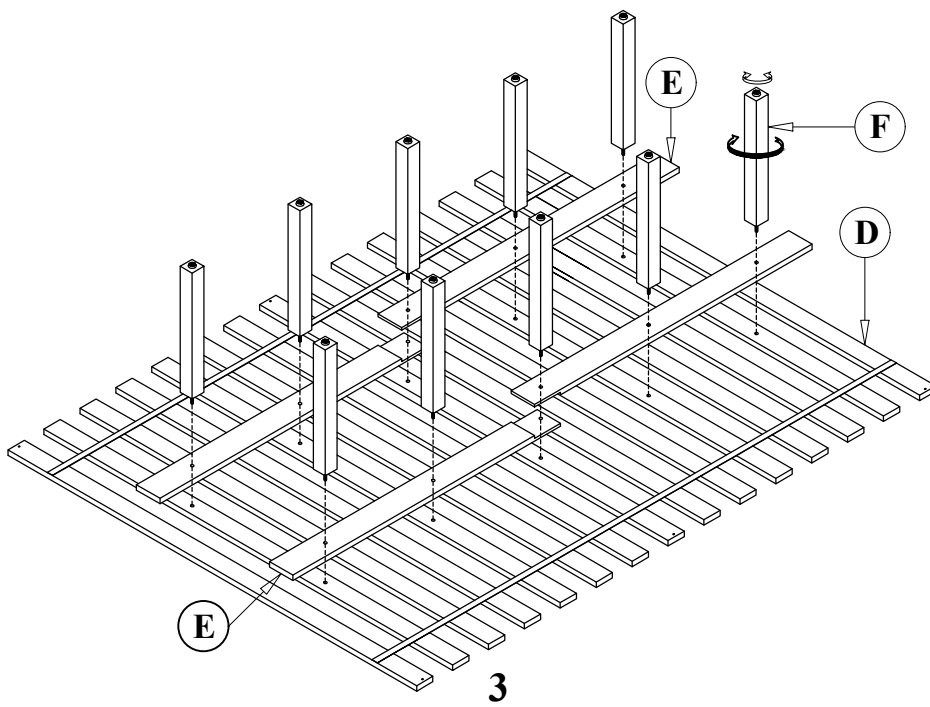
CLEANING INSTRUCTIONS:

**After assembly, clean and polish the completed parts if necessary with
soft cloth and industrial recognized furniture polish.**

STEP 1

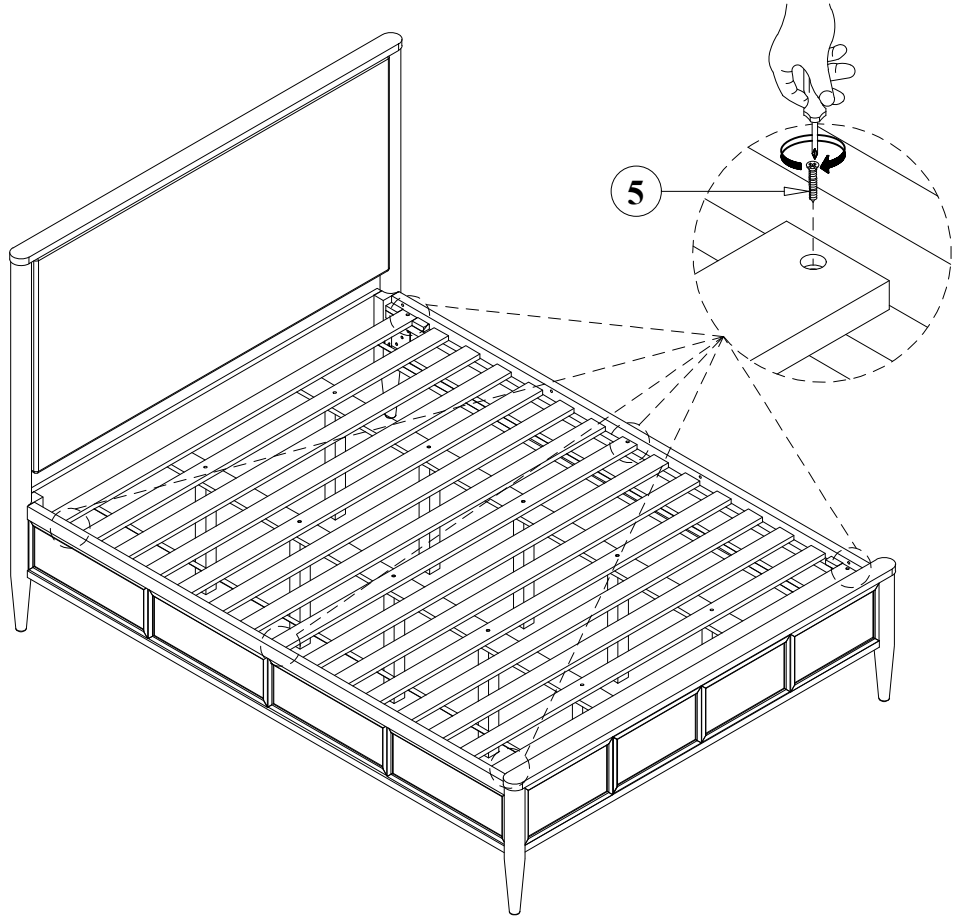


STEP 2



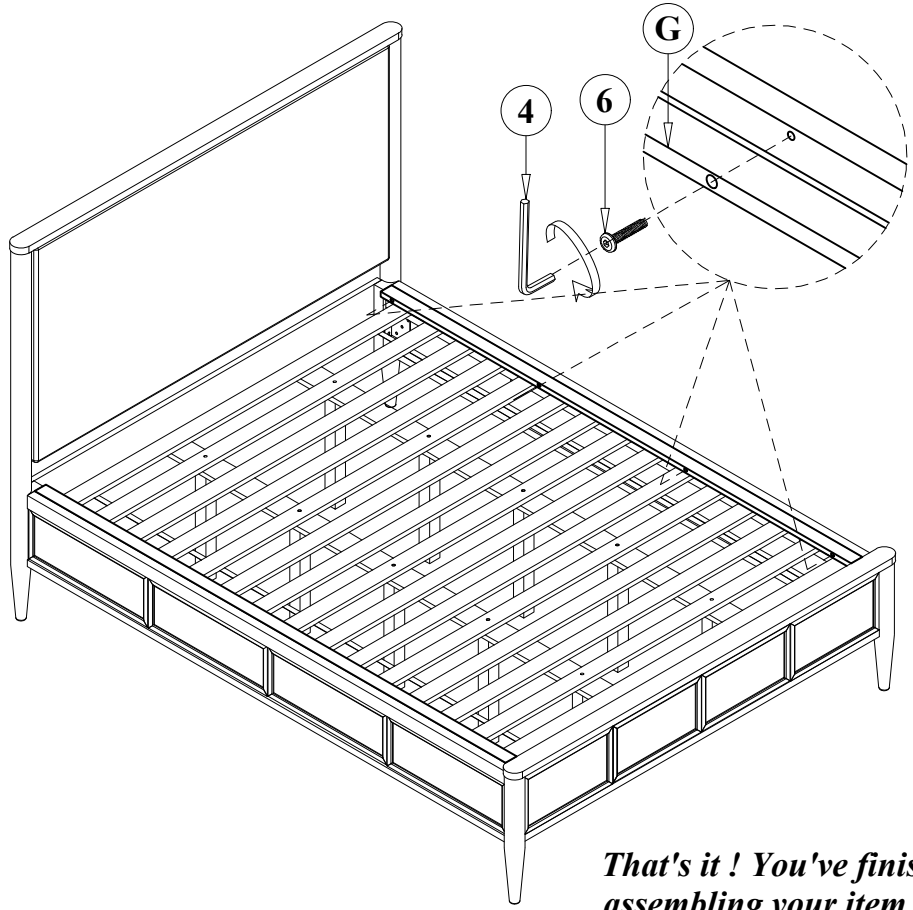
STEP 3

5=6pcs



STEP 4

6=8pcs



That's it ! You've finished assembling your item. Thank you!