



LIVING SPACES

ASSEMBLY INSTRUCTIONS

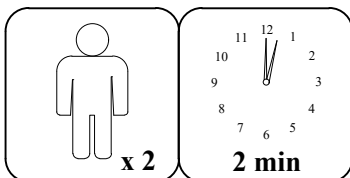
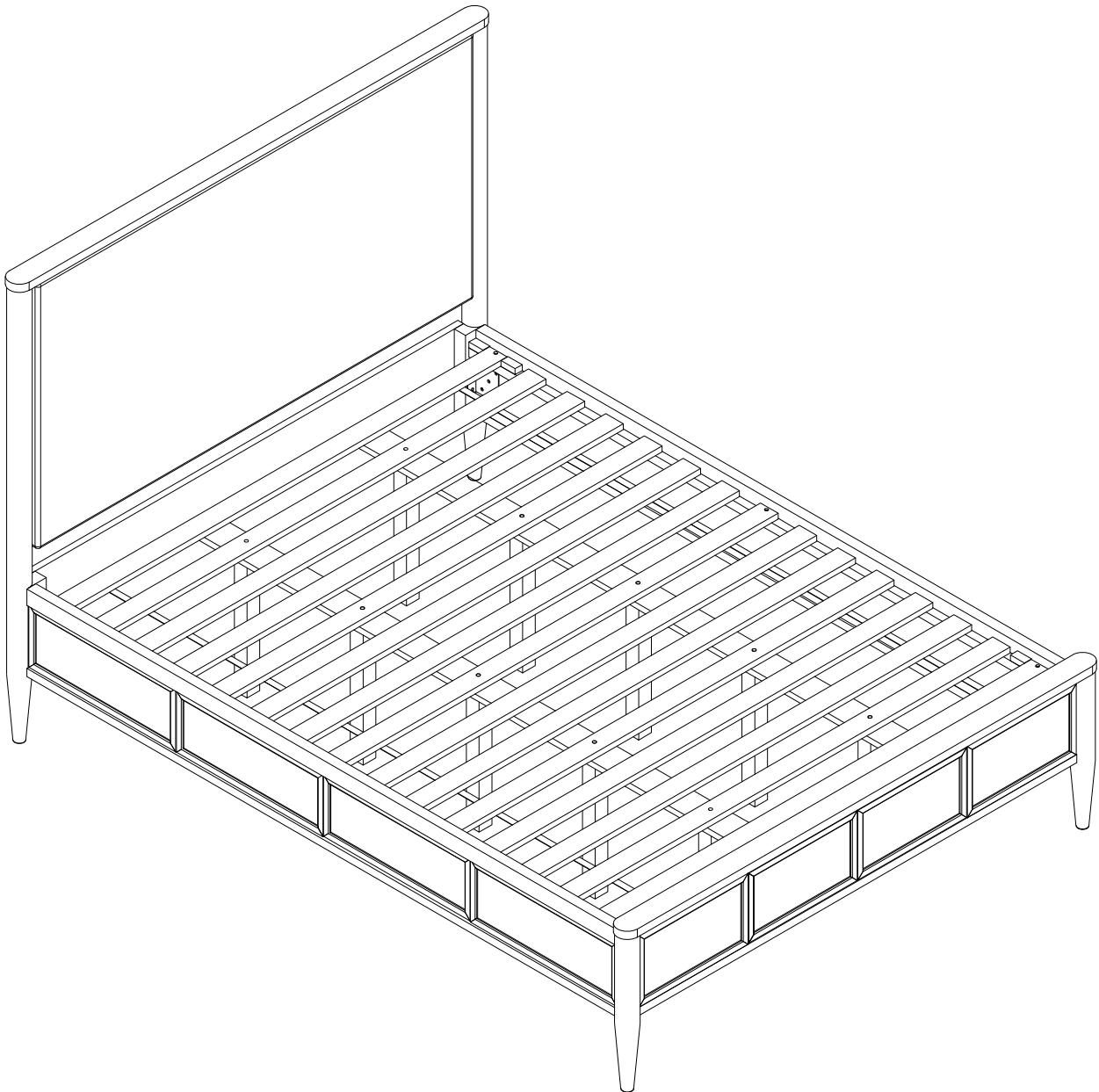
AUSTEN CK/EK UPH HEADBOARD PANEL BED

AUSTEN CK/EK NON-STORAGE FOOTBOARD/SLATS PANEL BED

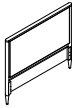
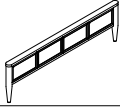
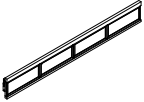
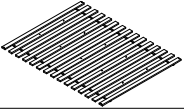
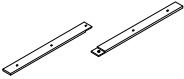
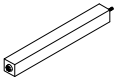
SKU:318034/318024/318057

AUSTEN QN/EK NON-STORAGE SIDE RAILS PANEL/CANOPY BED

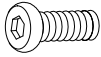


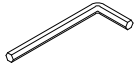
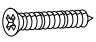
ITEM NO: B2101-136/B2101-134/B2101-191



1

PART	SKU#	IMAGE	DESCRIPTION	QTY
(A)	318034		Head Board	1
(B)	318024		Foot Board	1
(C)	318057		Side Rail	2
(D)	318024		Slat	1 set
(E)	318024		Middle Support Bar	4
(F)	318024		Support With Leveler	10

Hardware List

PART	SKU#	IMAGE	DESCRIPTION	QTY
(1)	318057		Bolts 5/16" *25mm	8
(2)	318057		Spring Washer 5/16" Dia	8
(3)	318057		Flat Washer 5/16" * Dia	8
(4)	318057		Allen key	1
(5)	318024		Screw #8* 30mm	6

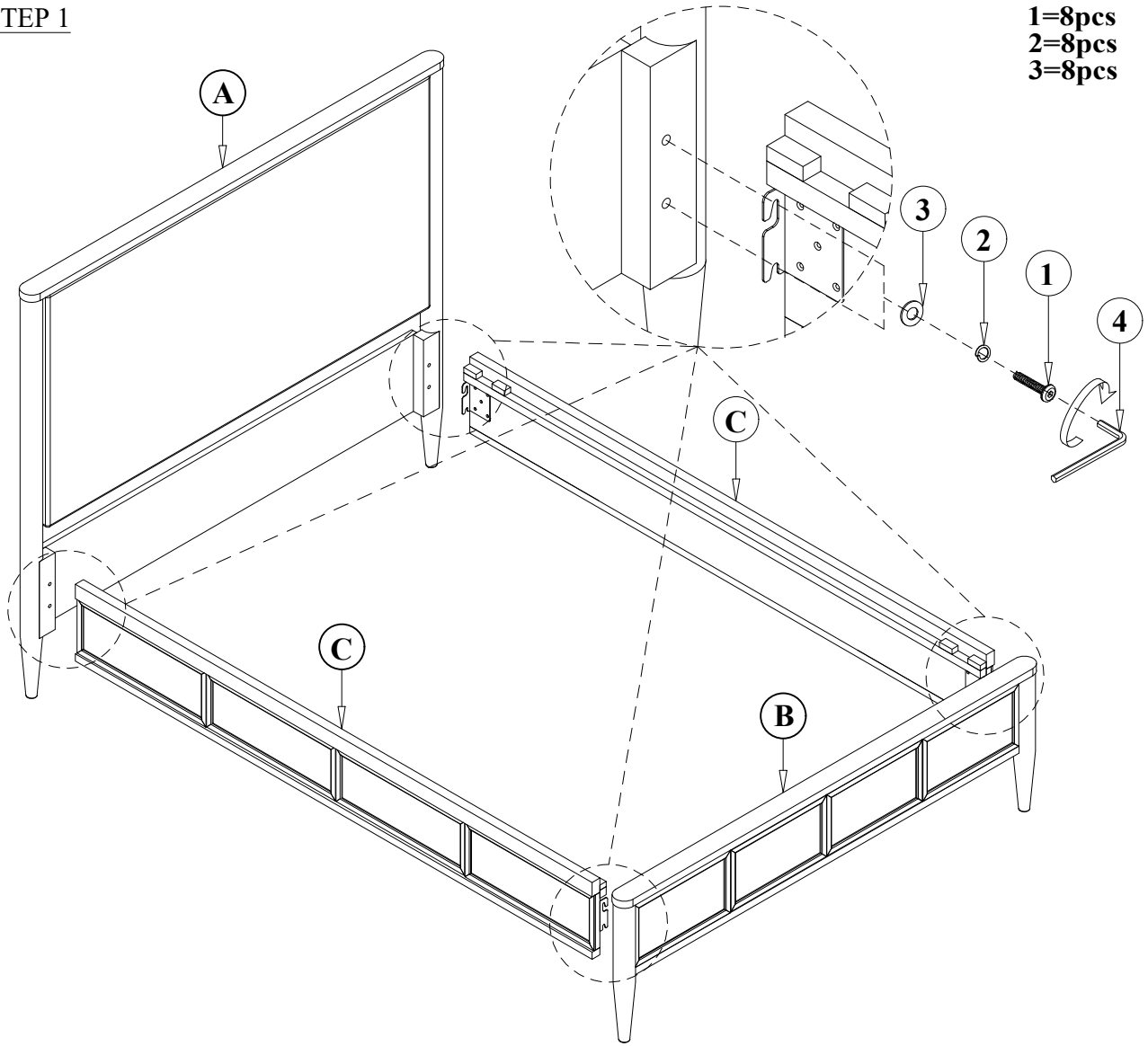
THE HARDWARE IS LOCATED IN THE PACKING ITEM

MUST: TIGHTEN SCREWS PERIODIACLLY. WITH USE SCREW MAY ENCOME LOOSE CHECK TIGHTNESS OF ALL SCREWS EVERY 6-8 WEEKS.

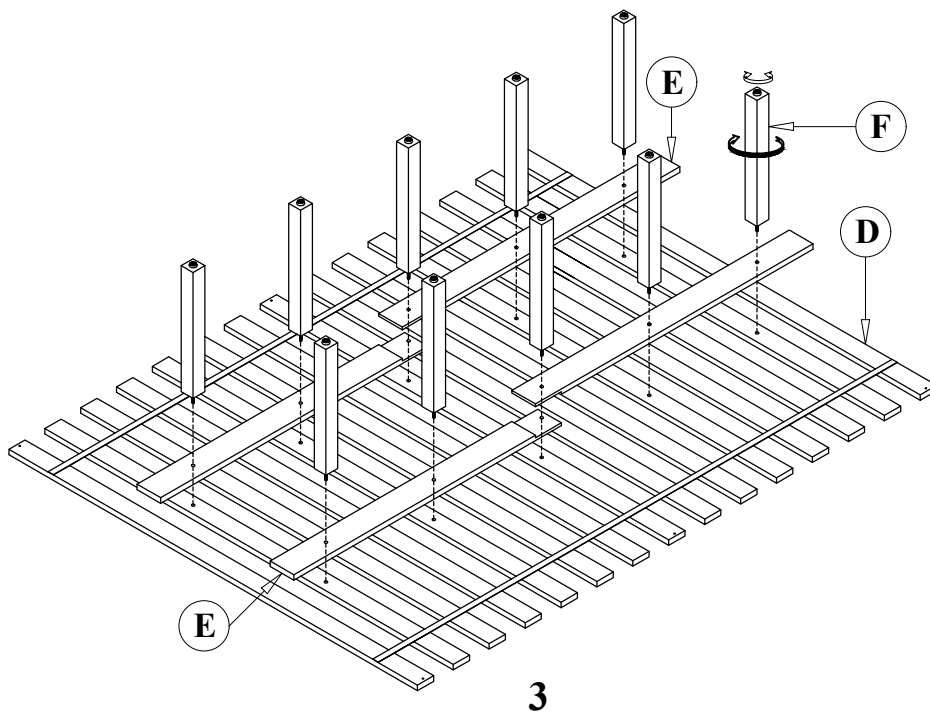
CLEANING INSTRUCTIONS:

After assembly, clean and polish the completed parts if necessary with soft cloth and industrial recognized furniture polish.

STEP 1

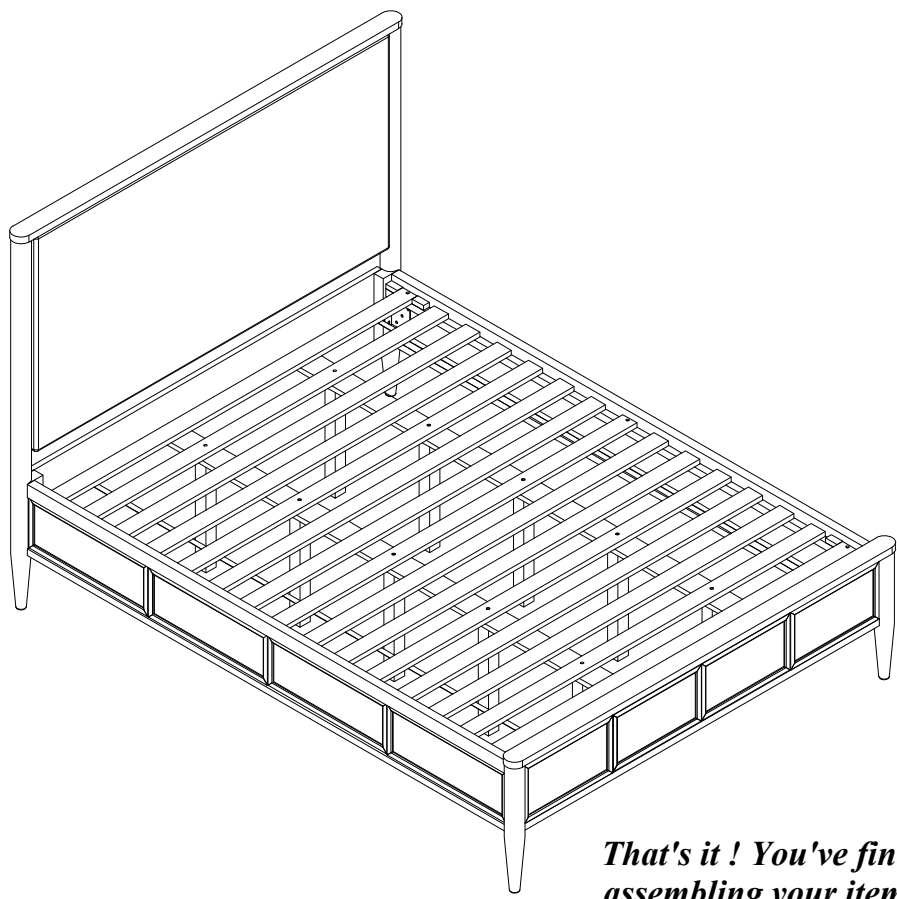
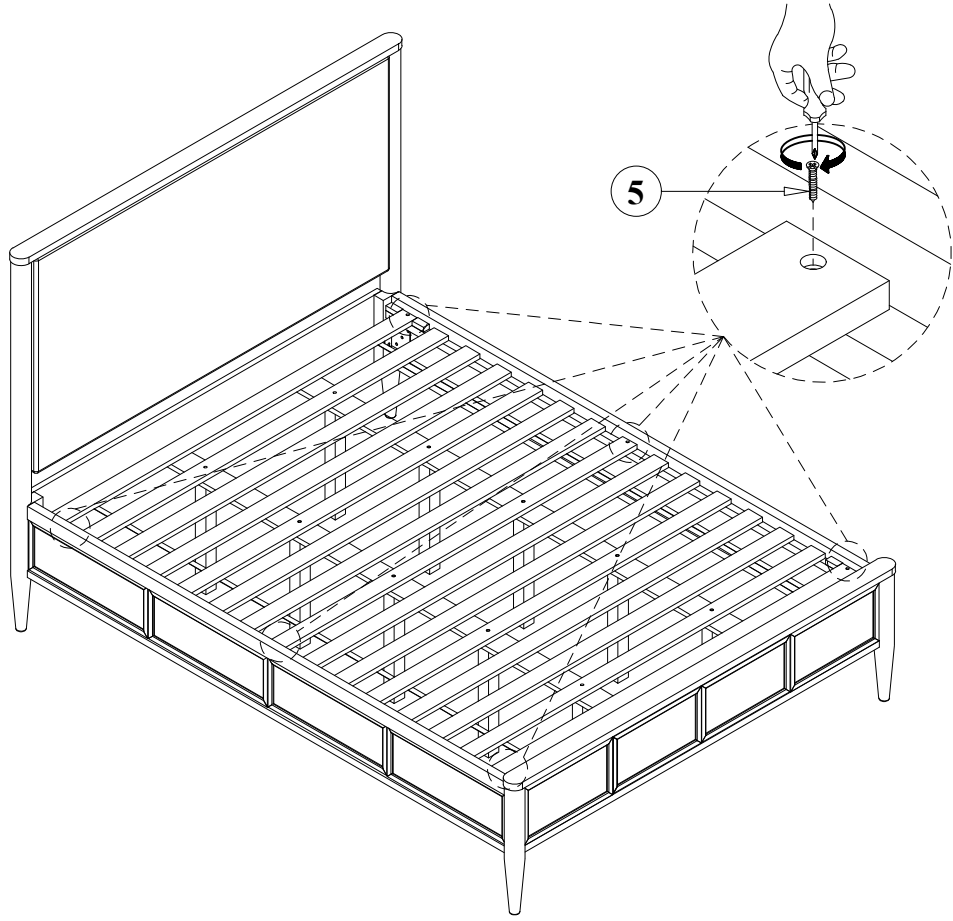


STEP 2



STEP 3

5=6pcs



4

That's it ! You've finished assembling your item. Thank you!