



LIVING SPACES

# ASSEMBLY INSTRUCTIONS

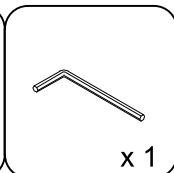
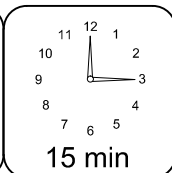
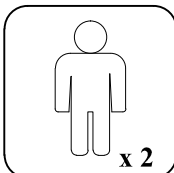
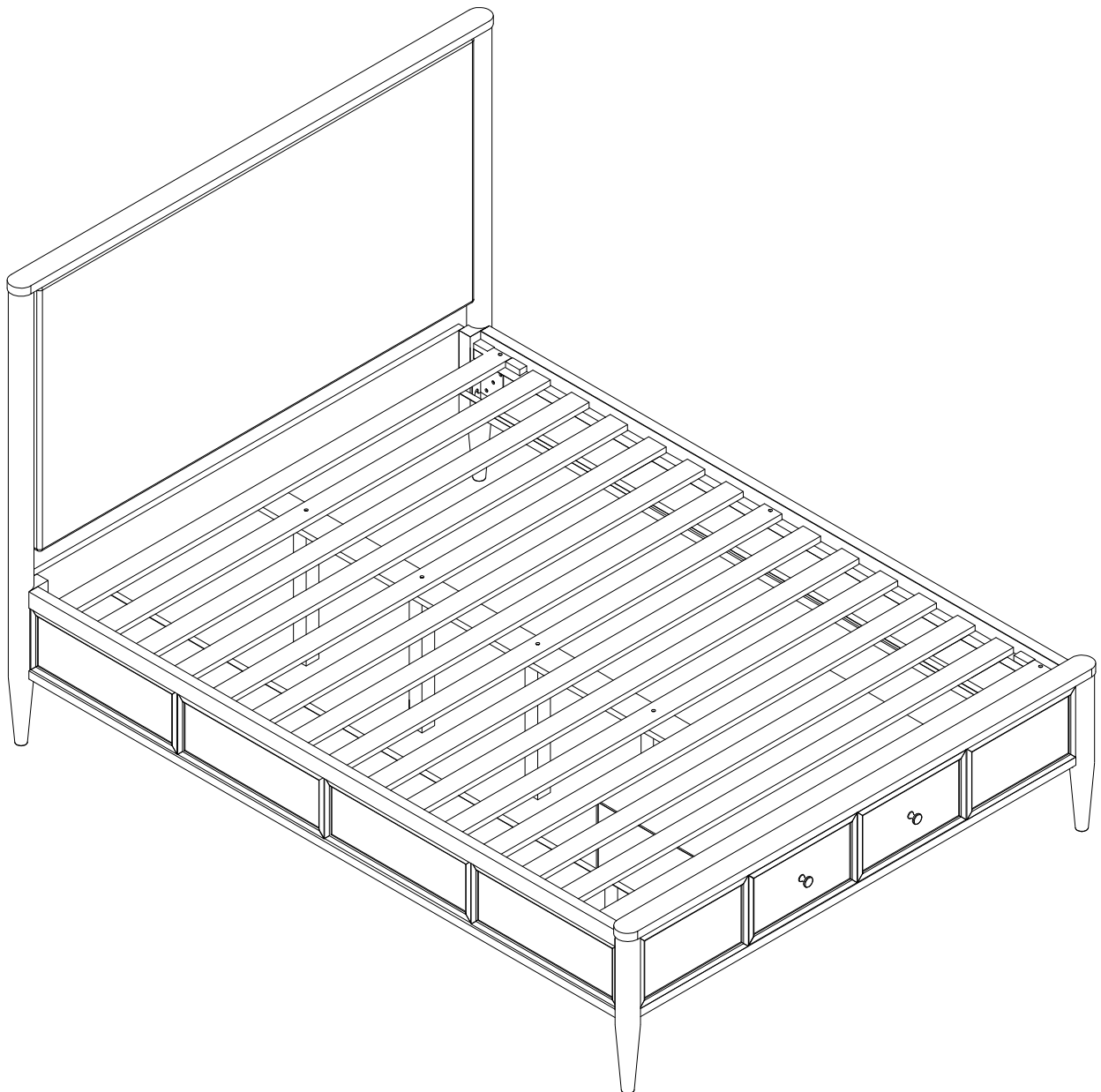
**AUSTEN QN UPH HEADBOARD PANEL BED**

**AUSTEN QN STORAGE FOOTBOARD/SLATS PANEL BED**

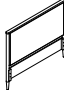
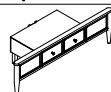
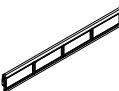
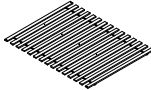
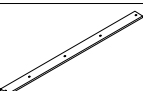
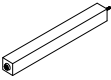
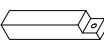
**SKU:318023/318018/318057**

**AUSTEN QN/EK NON-STORAGE SIDE RAILS PANEL/CANOPY BED**









**ITEM NO: B2101-133/B2101-132/B2101-191**



**1**

PART	SKU#	IMAGE	DESCRIPTION	QTY
(A)	318023		Head Board	1
(B)	318018		Storage Foot Board	1
(C)	318057		Side Rail	2
(D)	318018		Slat	1 set
(E)	318018		Middle Support Bar	1
(F)	318018		Support With Leveler	4
(G)	318018		Foot Board back leg	2

#### Hardware List

PART	SKU#	IMAGE	DESCRIPTION	QTY
(1)	318057		Bolts 5/16" *25mm	8
(2)	318057		Spring Washer 5/16" Dia	8
(3)	318057		Flat Washer 5/16" * Dia	8
(4)	318018/318057		Allen key	2
(5)	318018		Screw #8* 30mm	6
(6)	318018		Bolts 1/4" *38mm	2
(7)	318018		Spring Washer 1/4"*11mm	2
(8)	318018		Flat Washer 1/4" *19mm	2

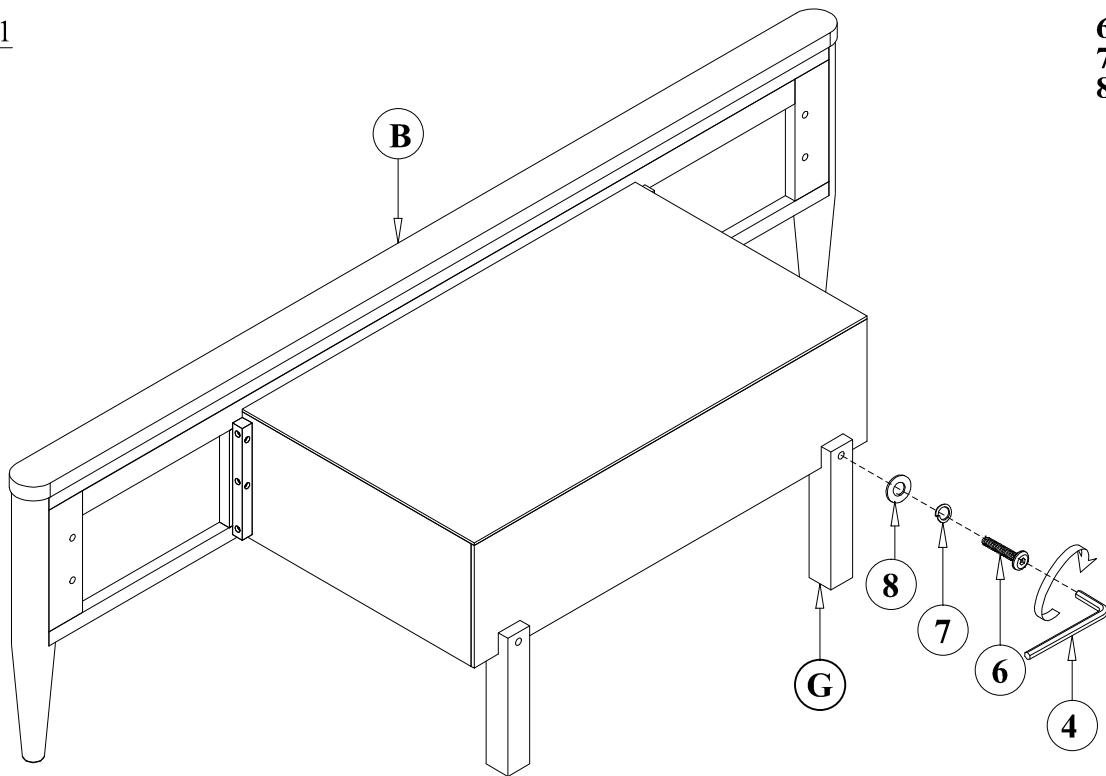
**THE HARDWARE IS LOCATED IN THE PACKING ITEM**

**MUST: TIGHTEN SCREWS PERIODICALLY. WITH USE SCREW MAY ENCOME LOOSE CHECK TIGHTNESS OF ALL SCREWS EVERY 6-8 WEEKS.**

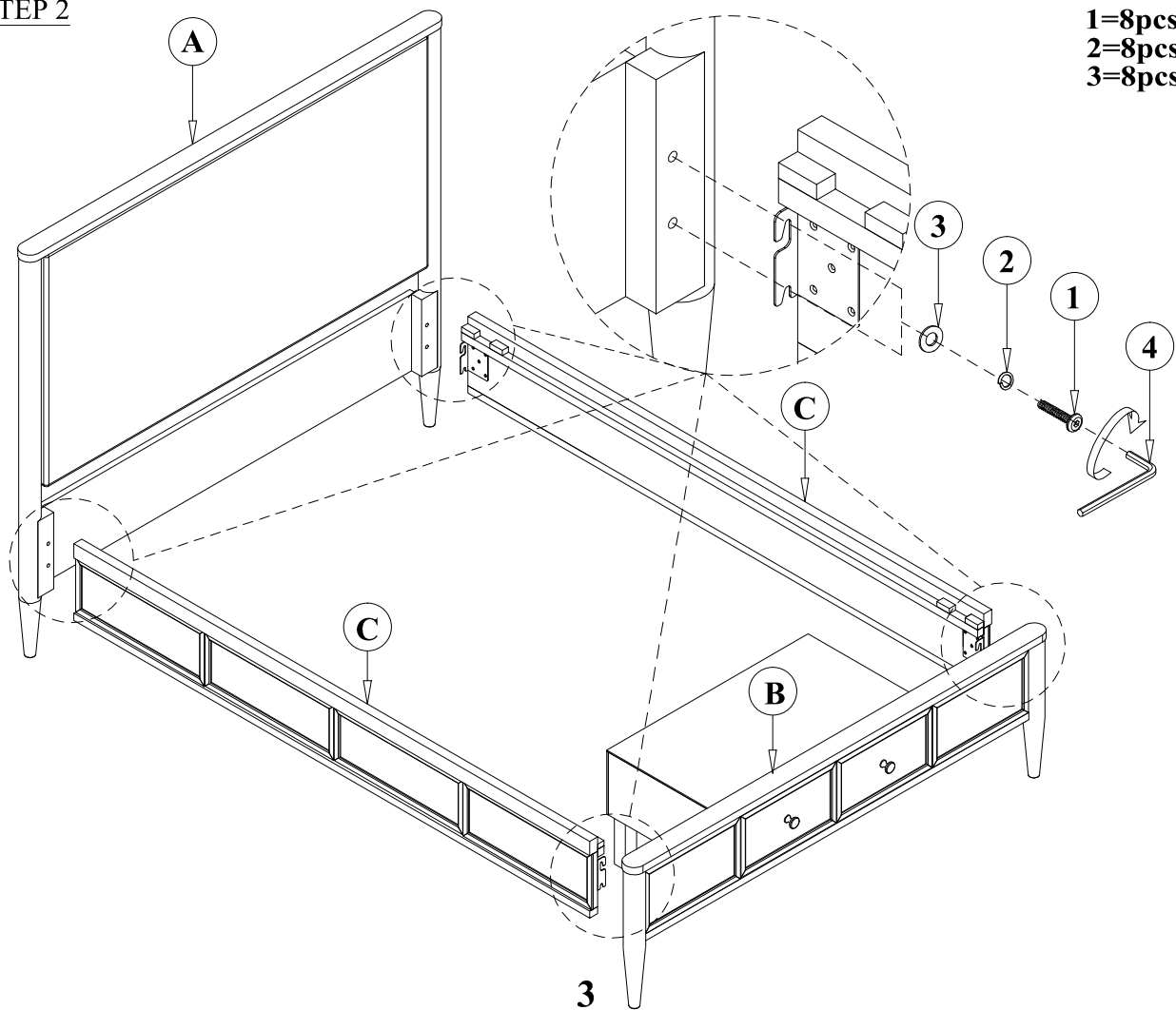
#### **CLEANING INSTRUCTIONS:**

**After assembly, clean and polish the completed parts if necessary with soft cloth and industrial recognized furniture polish.**

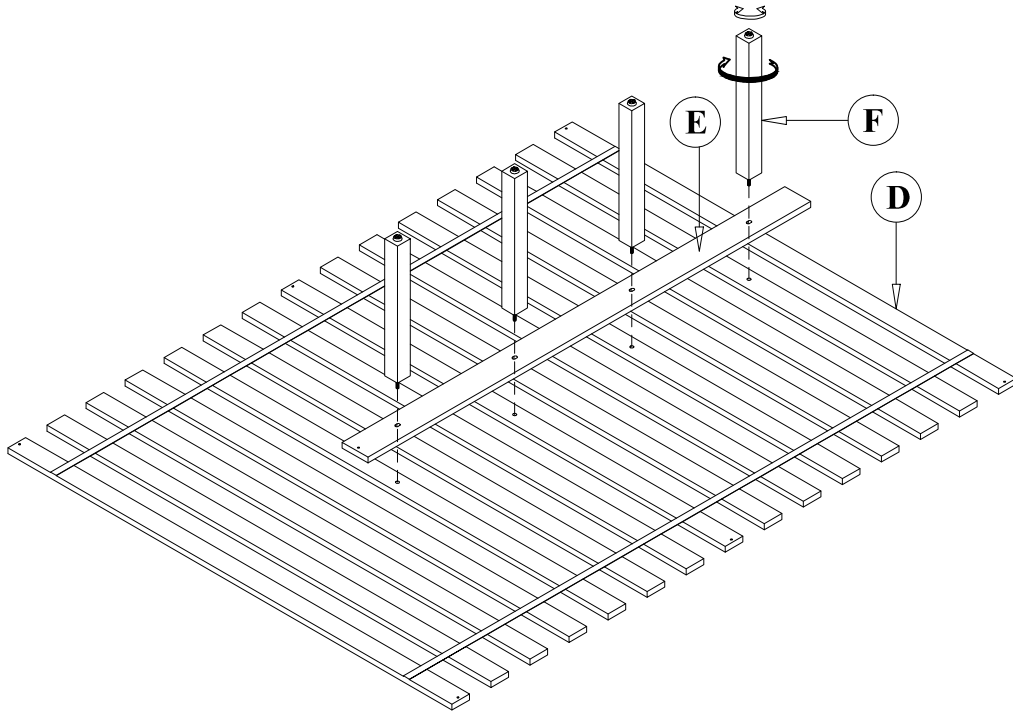
STEP 1



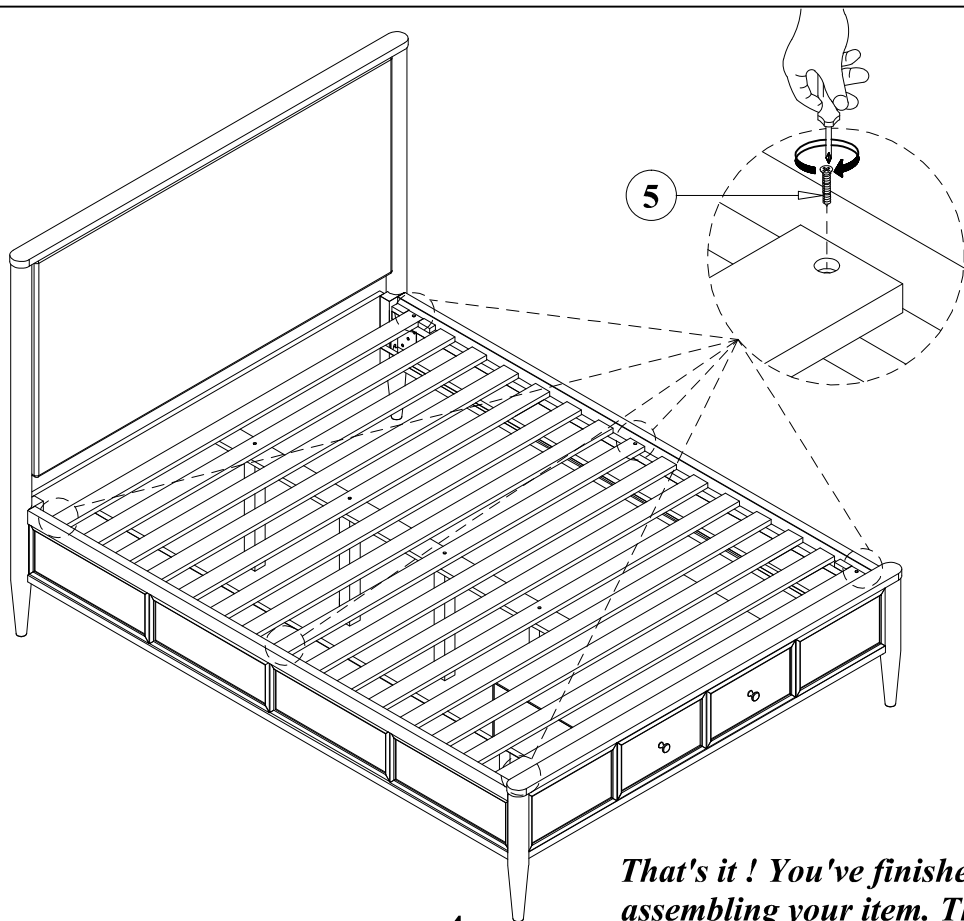
STEP 2



STEP 3



STEP 4



5=6pcs

*That's it ! You've finished assembling your item. Thank you!*