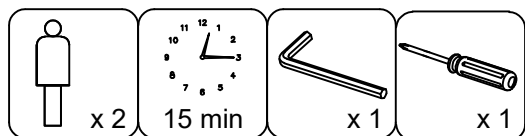
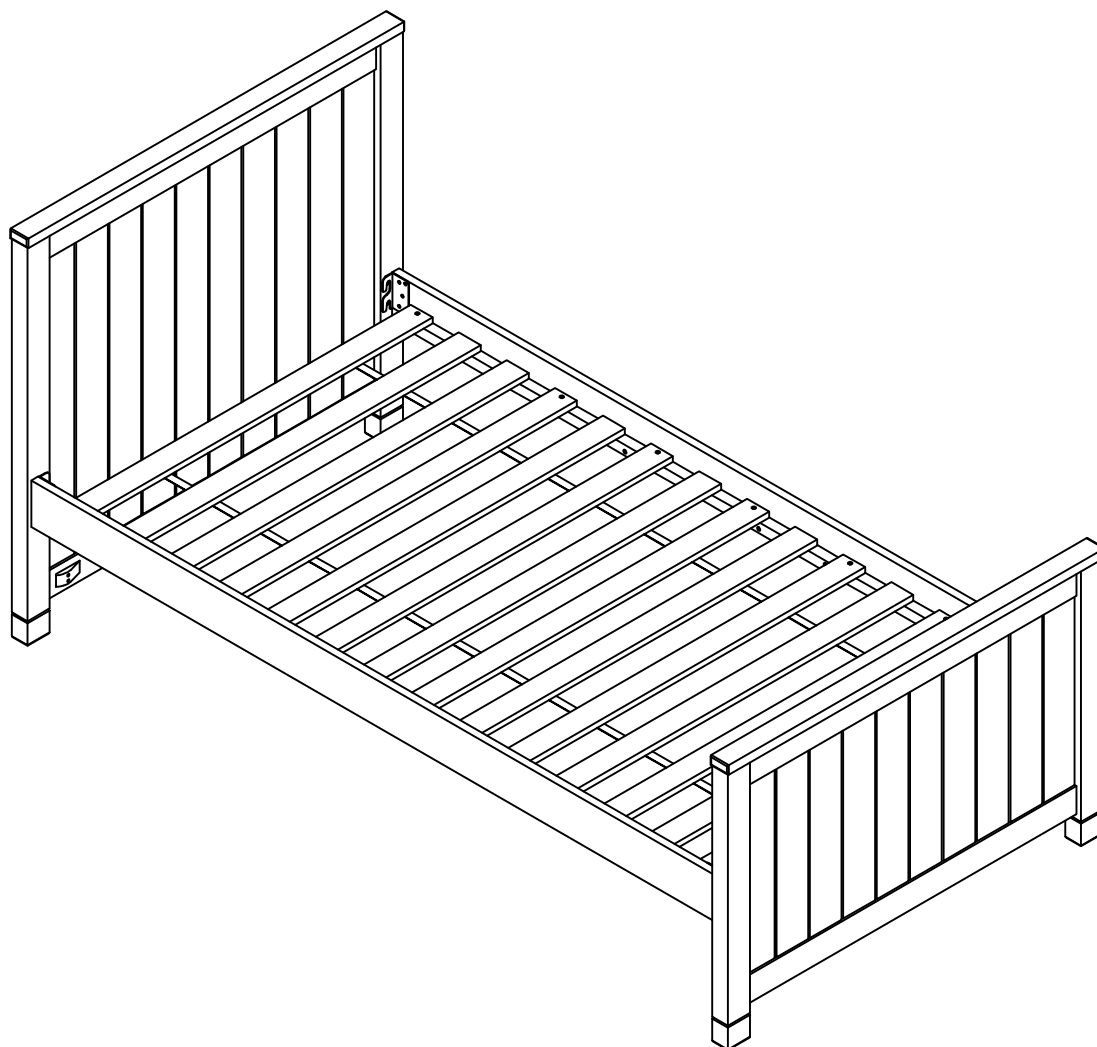




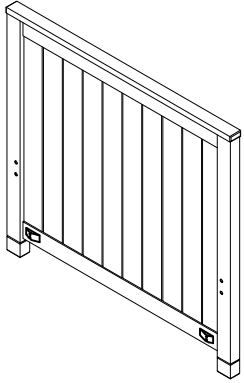
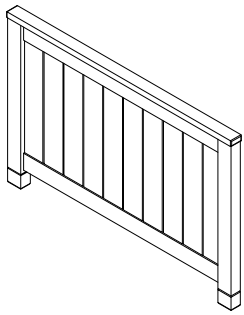
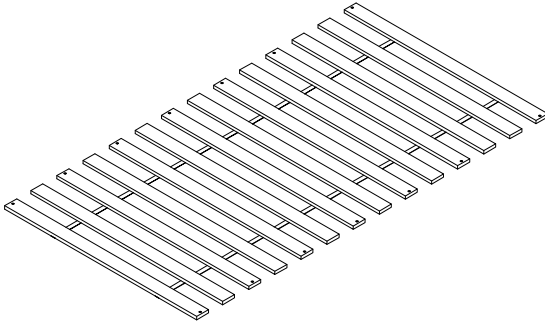
# ASSEMBLY INSTRUCTIONS

## LUCA TWIN PANEL BED

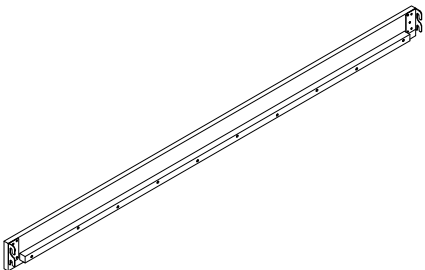
ITEM NO: Y2103W-336/337    SKU: 314659/314660  
                  Y2103B-336/337                    314571/314572  
                  Y2103G-336/337                    314615/314616






**BOX 1- TW HEADBOARD/FOOTBOARD/SLATS PANEL BED**

PART	SKU#	IMAGE	DESCRIPTION	QTY
<p align="center">Ⓐ</p>	<p>1994T-A-W:(White) 1994T-A-B:(Blue) 1994T-A-G:(Grey)</p>		<p align="center"><b>Headboard</b></p>	<p align="center"><b>1</b></p>
<p align="center">Ⓑ</p>	<p>1994T-B-W: (White) 1994T-B-B: (Blue) 1994T-B-G: (Grey)</p>		<p align="center"><b>Footboard</b></p>	<p align="center"><b>1</b></p>
<p align="center">Ⓓ</p>	<p align="center">1994T-D</p>		<p align="center"><b>Slats</b></p>	<p align="center"><b>1</b></p>

**BOX 2- TW RAILS PANEL BED**

PART	SKU#	IMAGE	DESCRIPTION	QTY
<p align="center">Ⓒ</p>	<p>1994T-C-W: (White) 1994T-C-B: (Blue) 1994T-C-G: (Grey)</p>		<p align="center"><b>Rails</b></p>	<p align="center"><b>2</b></p>

## Hardware List of Luca Twin Panel Bed

Part	SKU#	IMAGE	DESCRIPTION	QTY
①	1994T-1(8)		Bolts M8*20mm	8
②	1994T-2(14)		Screws 8#*30mm	14
③	1994T-3(1)		Allen key 60*22*4mm	1

***Note: Screwdriver will be prepared by yourself.***

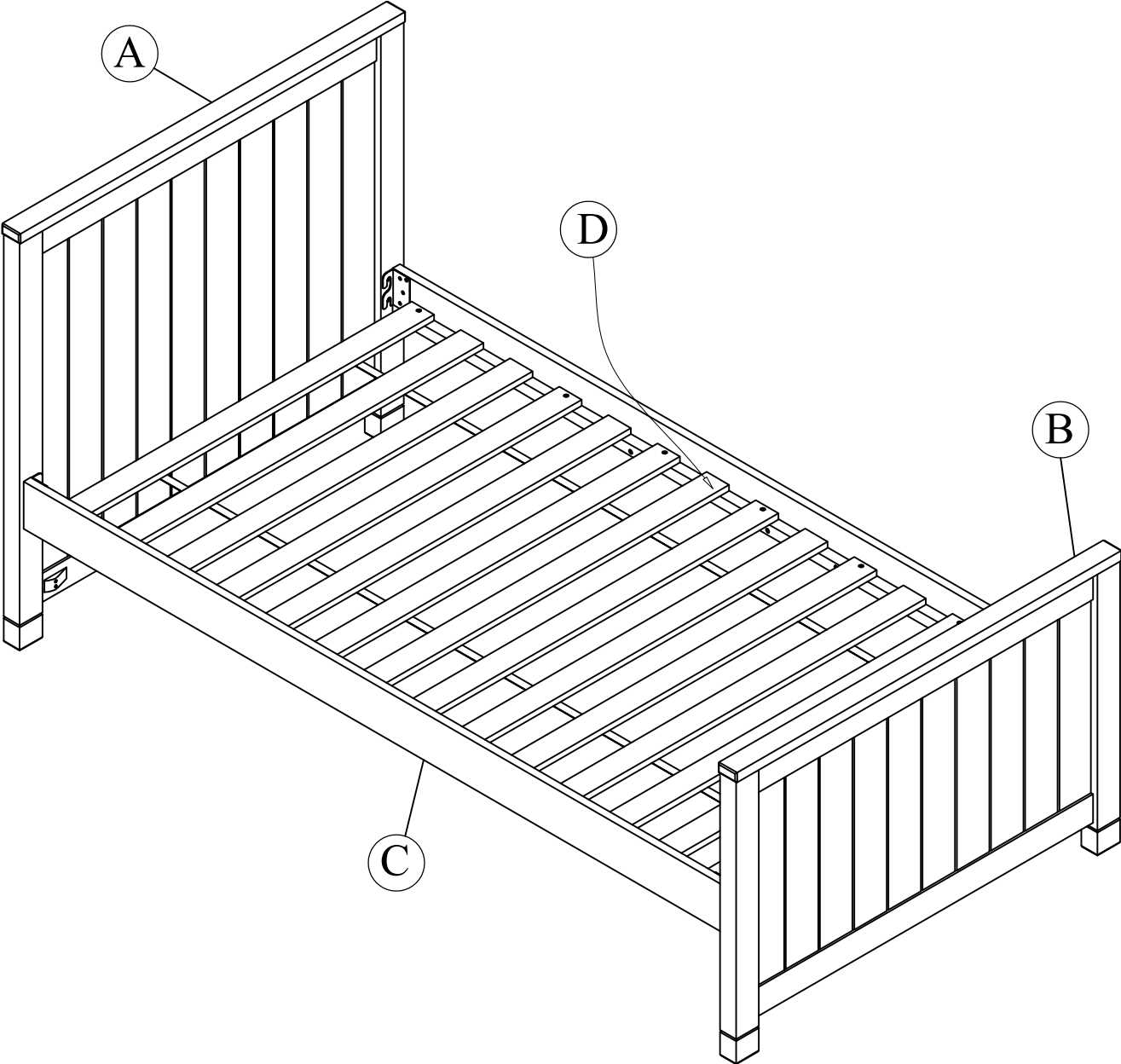
**THE HARDWARE IS LOCATED IN THE PACKING ITEM**

**NOTE: MUST TIGHTEN SCREWS PERIODIACLLY. WITH USE SCREW MAY ENCOME LOOSE CHECK TIGHTNESS OF ALL SCREWS EVERY 6-8 WEEKS.**

### CLEANING INSTRUCTIONS:

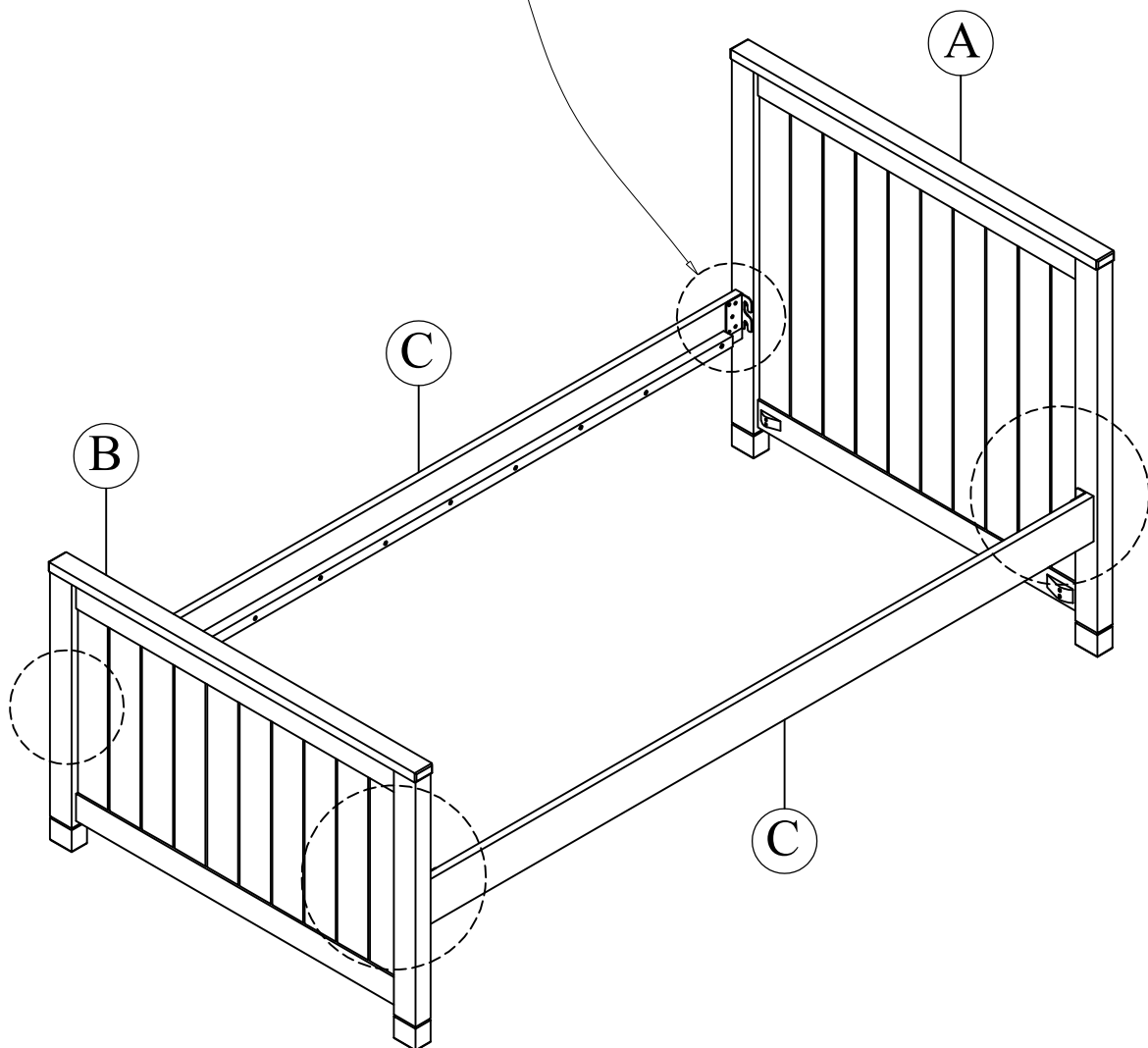
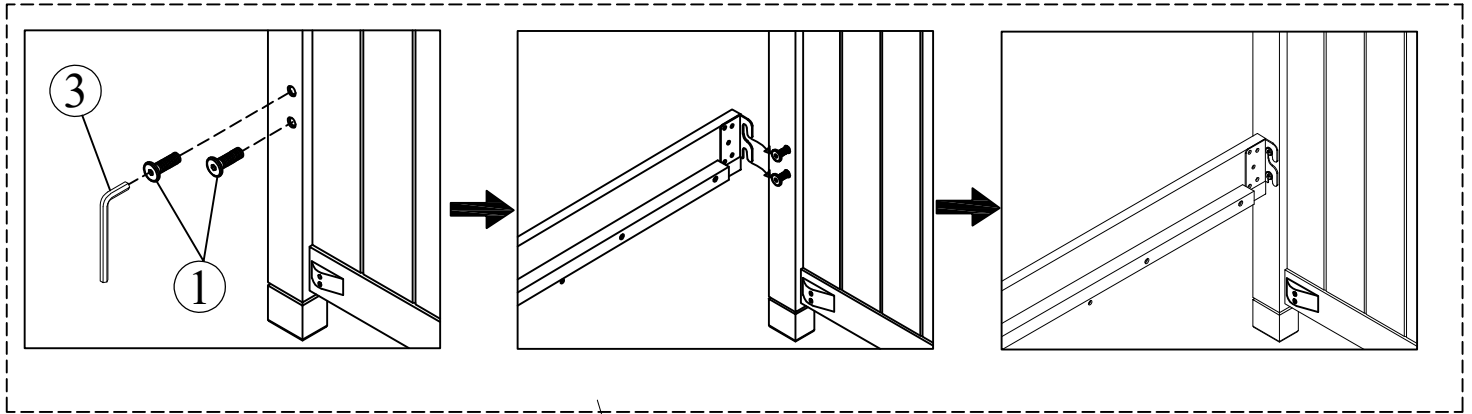
After assembly, clean and polish the completed parts if necessary with soft cloth and industrial recognized furniture polish.

Detail view



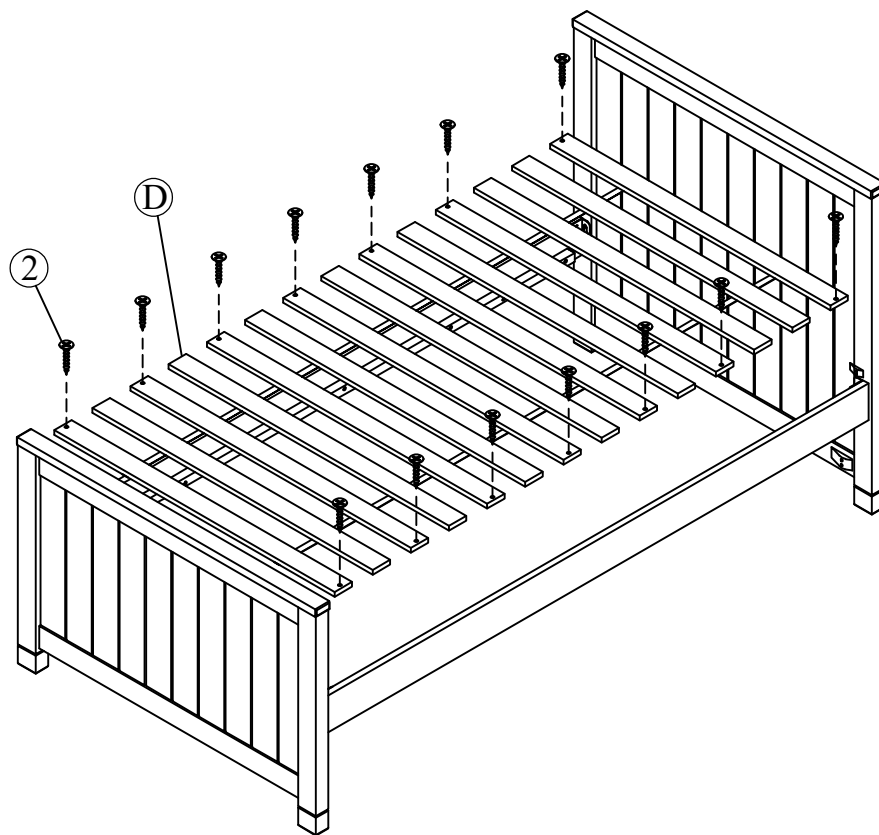
**STEP 1:**

- Attaching Bolt (1) to Pre-holes on Headboard (A), Footboard (B). Please be noted: **"should not tighten bolts"**
  - Connecting the hook on Rail (C) to Bolt (1) and fasten again.
- ⚠ Pay attention to rail orientation.**

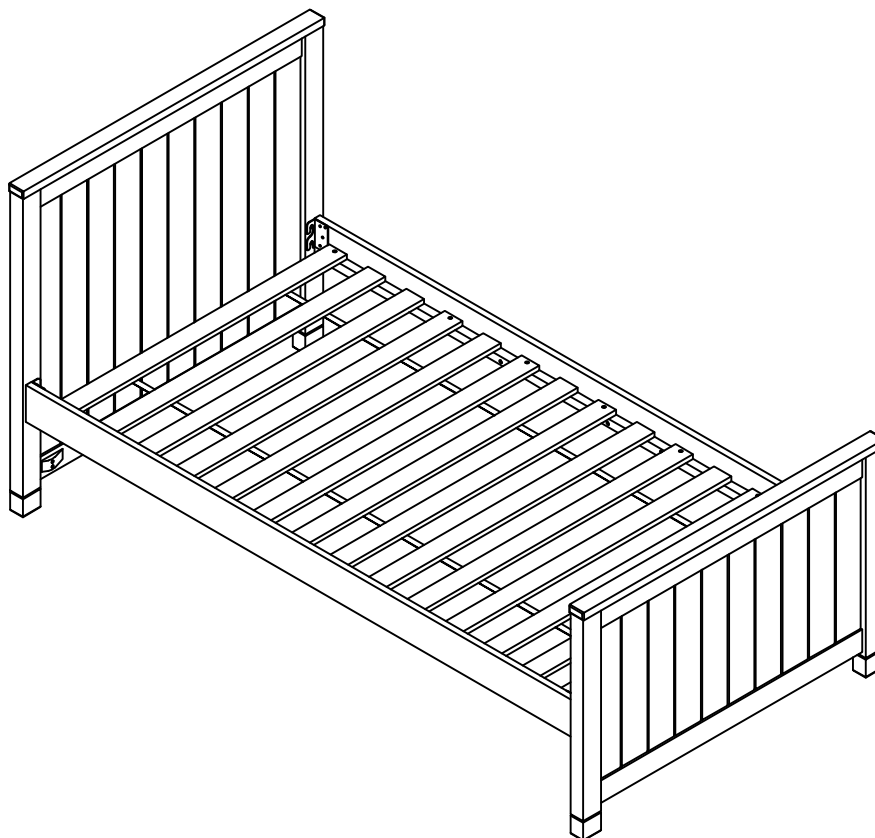


**STEP 2:**

Please fasten slats (D) by screw (2) into corresponding holes.



2=14 Pcs



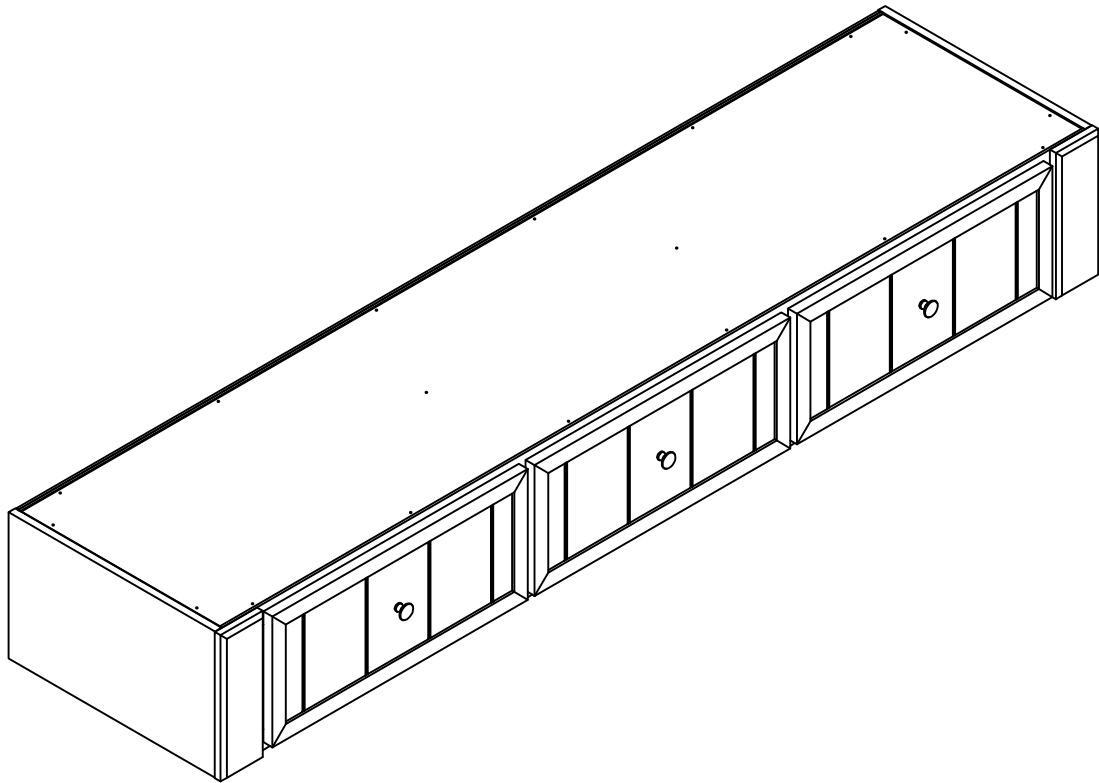
*That's it ! You've finished  
assembling your item. Thank you!*



# ASSEMBLY INSTRUCTIONS

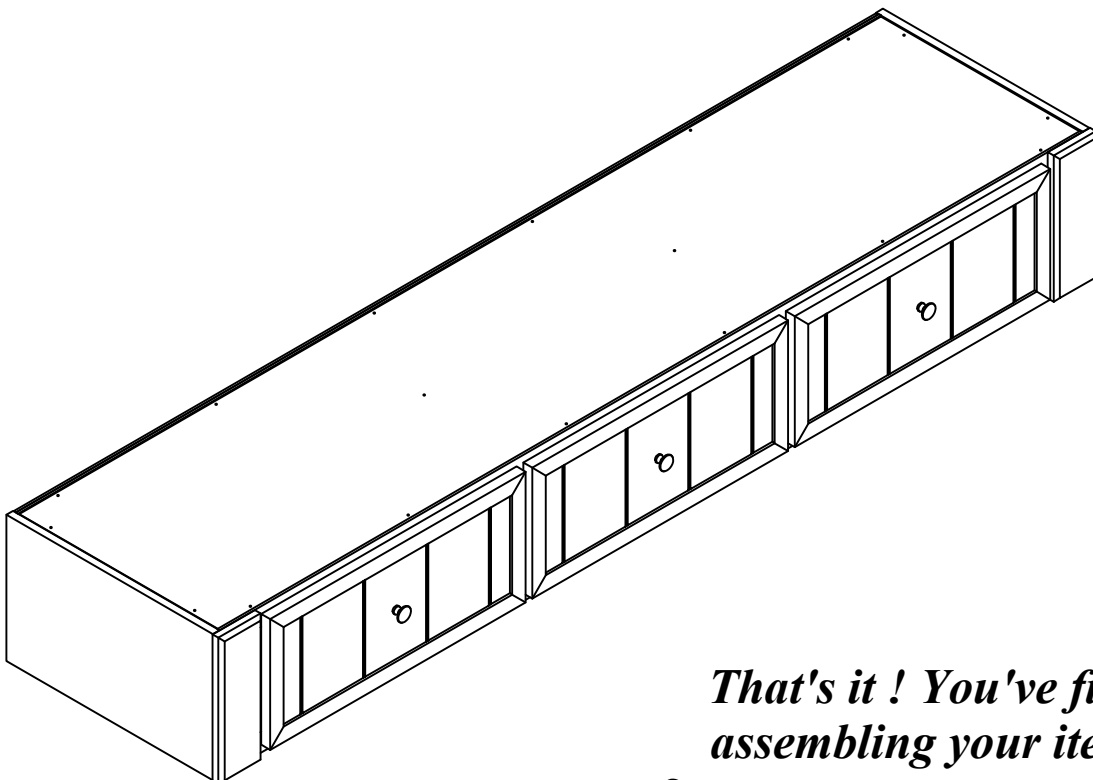
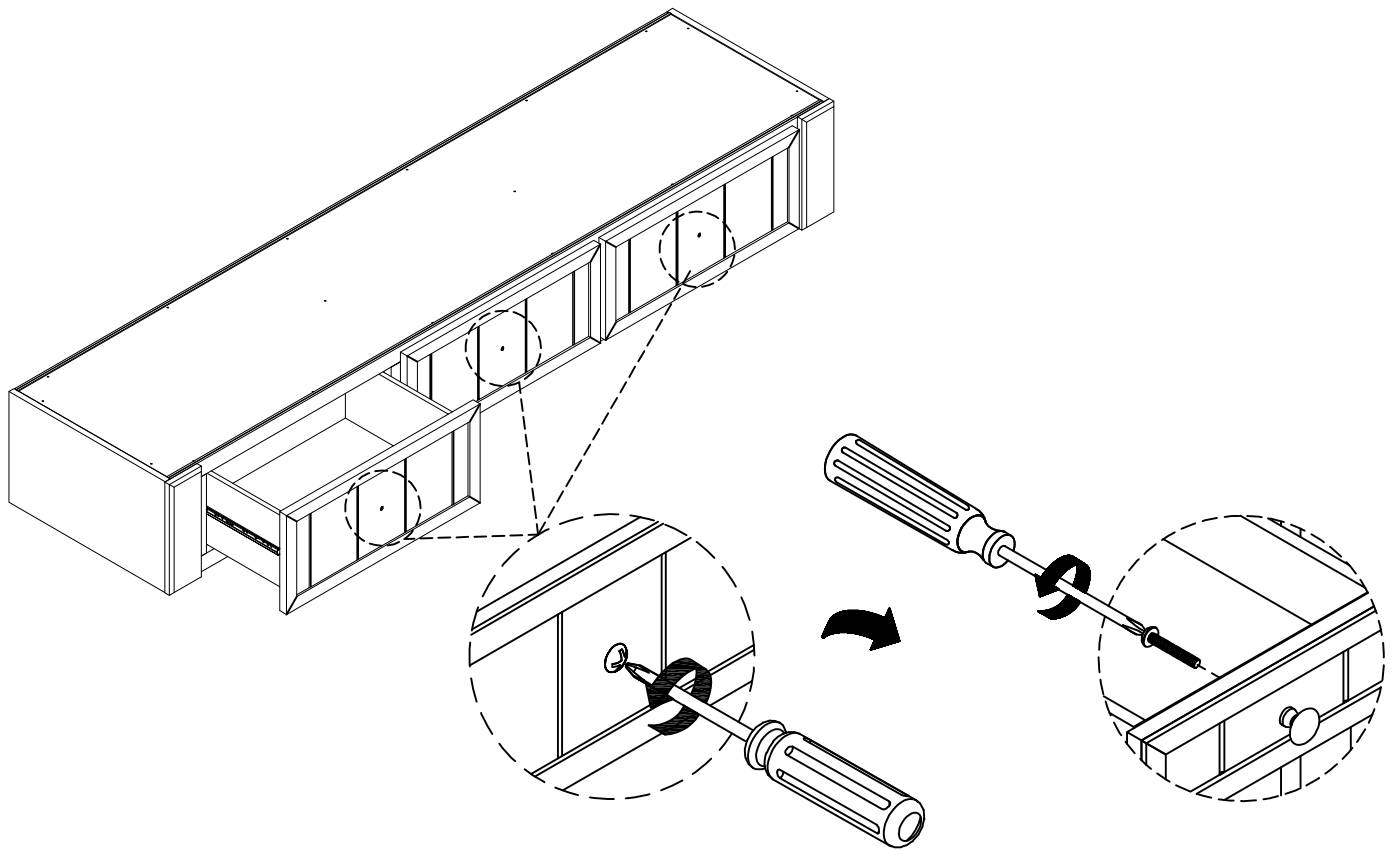
## LUCA 3 DRAWER PANEL/BUNK/DAYBED UNDERBED STORAGE

ITEM NO: Y2103W-347      SKU: 314670  
                  Y2103B-347                    314582  
                  Y2103G-347                    314626



 x 1	 5 min	 x 1
--	--	--

Revert the knob as instruction



*That's it ! You've finished  
assembling your item. Thank you!*