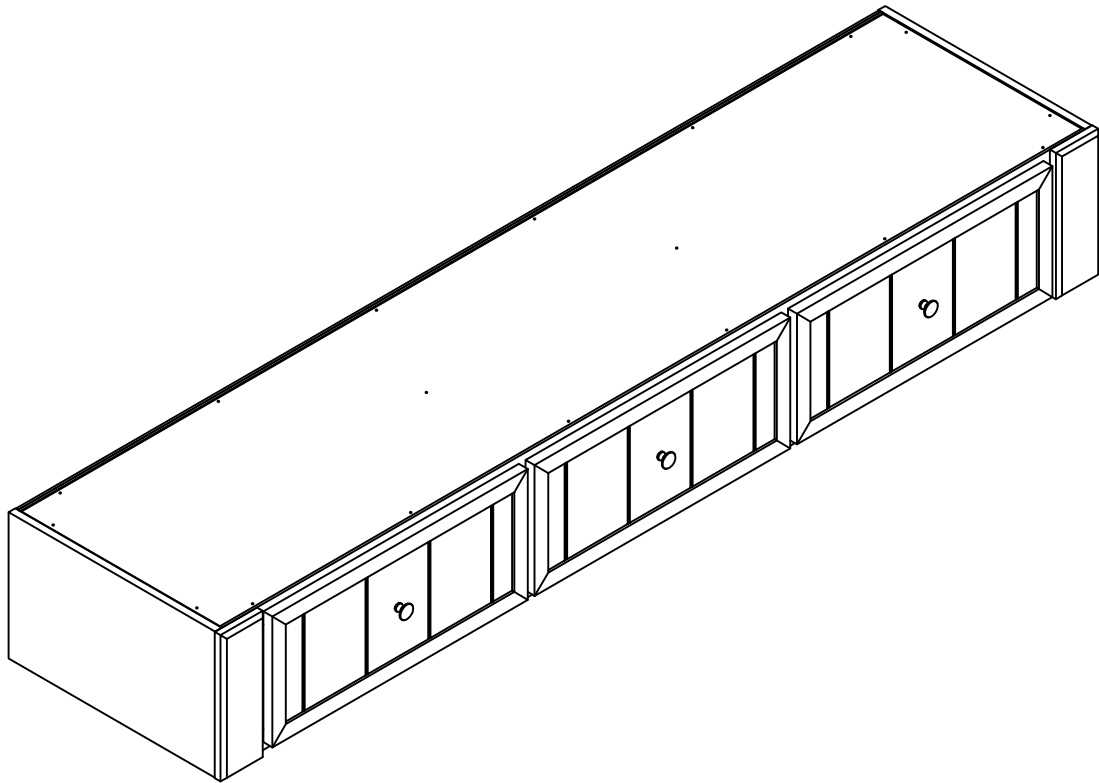




# ASSEMBLY INSTRUCTIONS

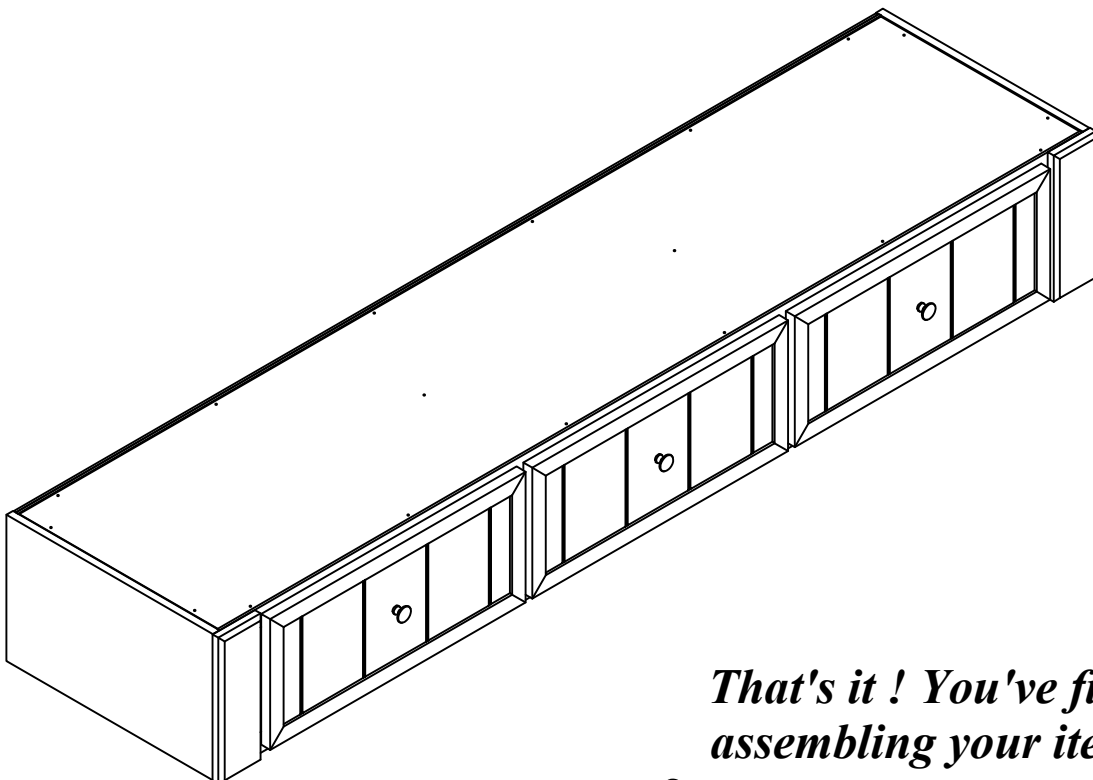
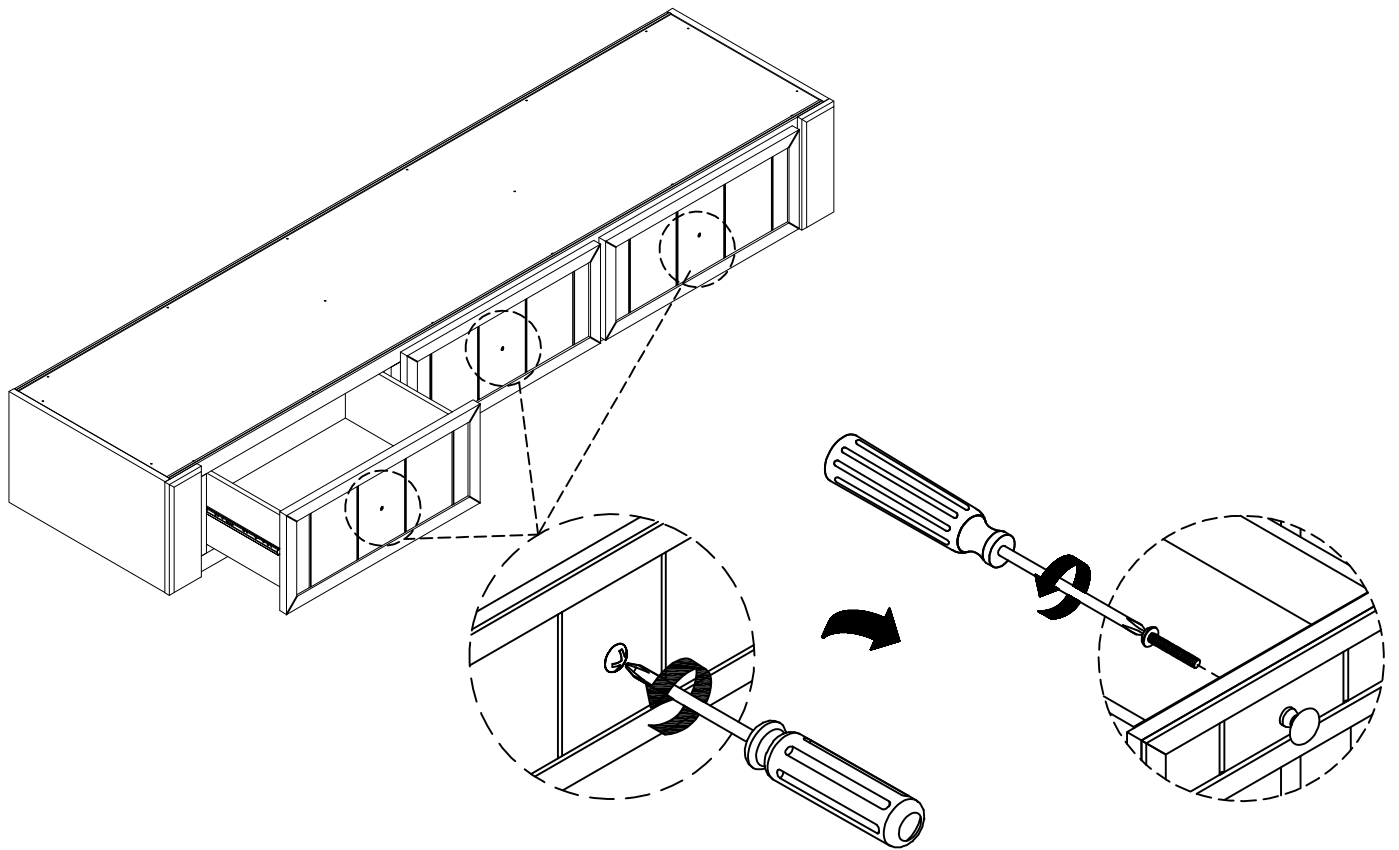
## LUCA 3 DRAWER PANEL/BUNK/DAYBED UNDERBED STORAGE

ITEM NO: Y2103W-347      SKU: 314670  
                  Y2103B-347                    314582  
                  Y2103G-347                    314626



 x 1	 5 min	 x 1
--	--	--

Revert the knob as instruction



*That's it ! You've finished  
assembling your item. Thank you!*

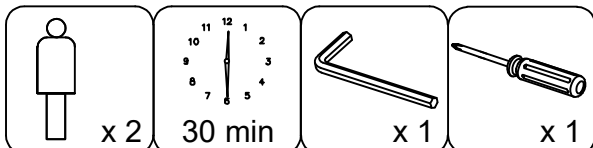
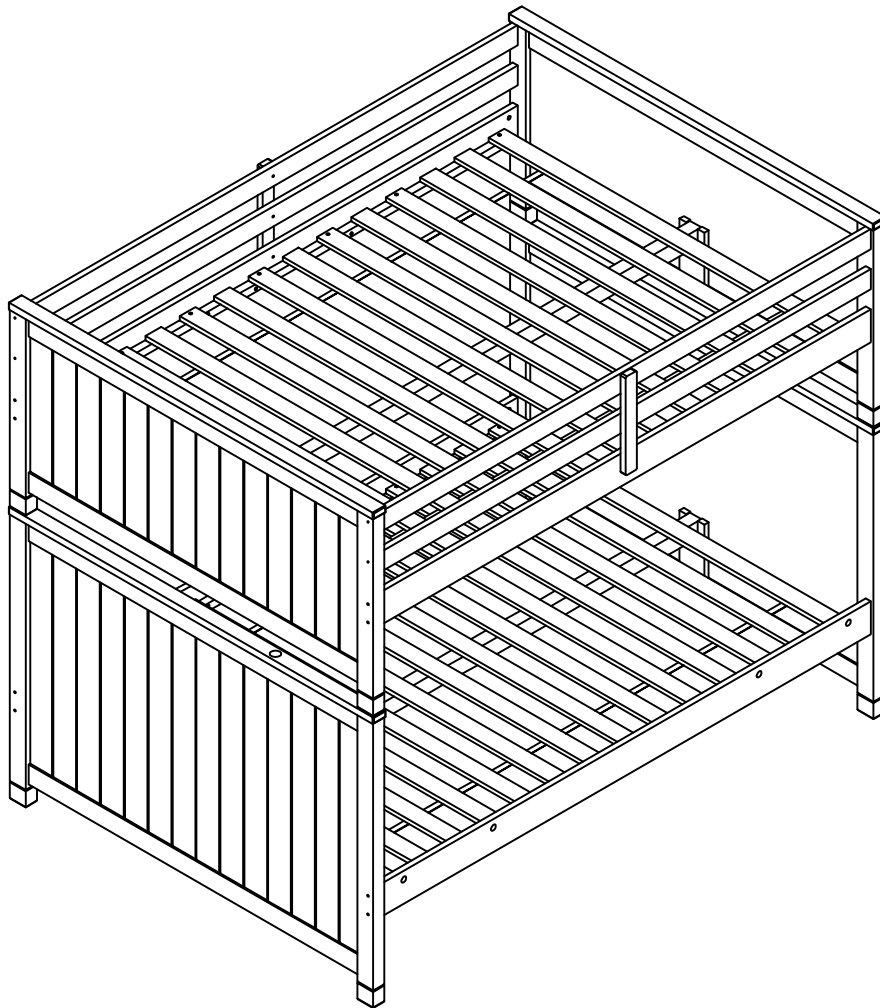


LIVING SPACES

# ASSEMBLY INSTRUCTIONS

## LUCA FULL-FULL BUNK BED

ITEM NO: Y2103W-345/343/346 SKU: 314668/314666/314669  
Y2103B-345/343/346 314580/314578/314581  
Y2103G-345/343/346 314624/314622/314625



# **PLEASE TAKE TIME TO READ ALL INSTRUCTIONS AND WARNINGS BEFORE BEGINNING ASSEMBLY!**

## **SAFETY WARNING**

Our Bunk Beds have been tested by an Independent Laboratory and are certified to be in compliance with:

ASTM F-1427, "Standard Consumer Safety Specification for Bunk Beds" and U.S. Government specifications 16 Code of Federal Regulations, parts 1213 and 1513.

## **SAFETY WARNINGS**

1. Follow the information on the warnings attached to the upper bunk end structure and on the carton. Do not remove this label.
2. Always use the recommended size mattress or mattress support, or both, to help prevent the likelihood of entrapment or falls.
3. Top surface of mattress must be at least **five inches** (127mm) below the upper edge of top guard rails.
4. Do not allow children less than six years of age to use the upper bunk.
5. Periodically, check and ensure that the guardrail, ladder and other components are in their proper position, free from damage and that all connectors are tight.
6. Do not allow horseplay on or under the bed and prohibit jumping on the bed and ladder.
7. Prohibit more than one person on upper bunk.
8. Always use the ladder or Stairway Chest for entering and leaving the upper bunk (as page 3).
9. Do not use substitute parts. Contact Living Spaces for replacement parts.
10. Use of a night-light may provide added safety precautions for a child using the upper Bunk.
11. If the bunk bed will be placed next to a wall, the guardrail that runs the full length of the bed should be placed against the wall to prevent entrapment between the bed and the wall. (This applies only to bunk beds without two full-length guardrails.)
12. Always use guardrails on both long sides of the upper bunk.
13. The use of water or sleep flotation mattress is expressly prohibited.
14. Keep these instructions for future reference.

## **STRANGULATION HAZARD**

15. Never attach or hang items to any part of the bunk bed that are not designed for use with the bed for example, but not limited to hooks, belts and jump ropes.

## **SIZE OF MATTRESS AND FOUNDATION**

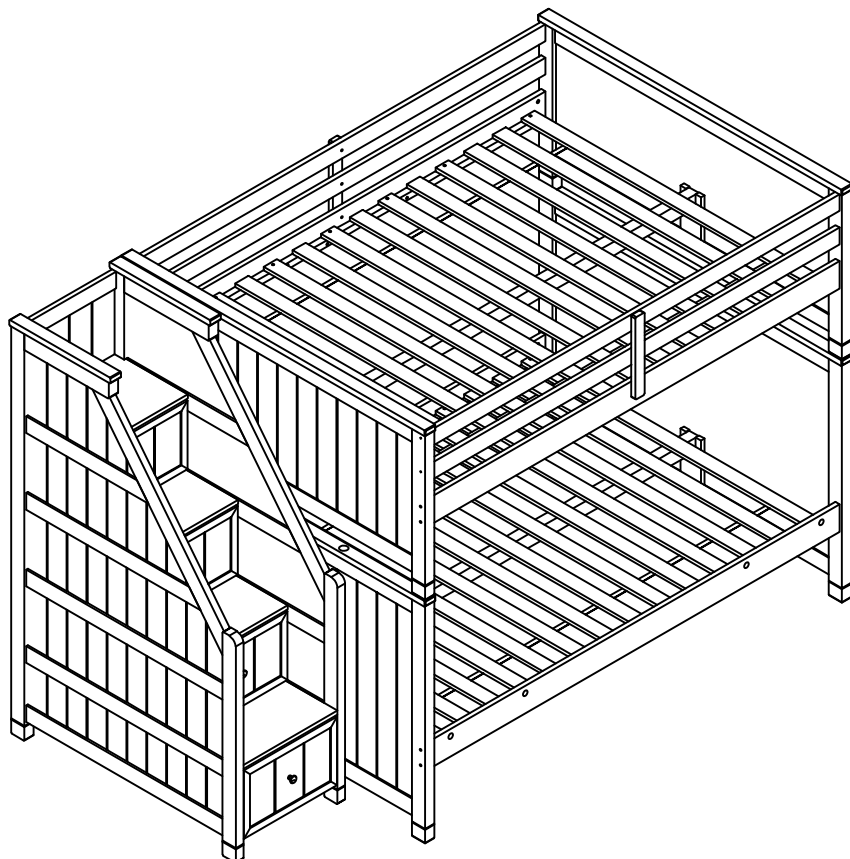
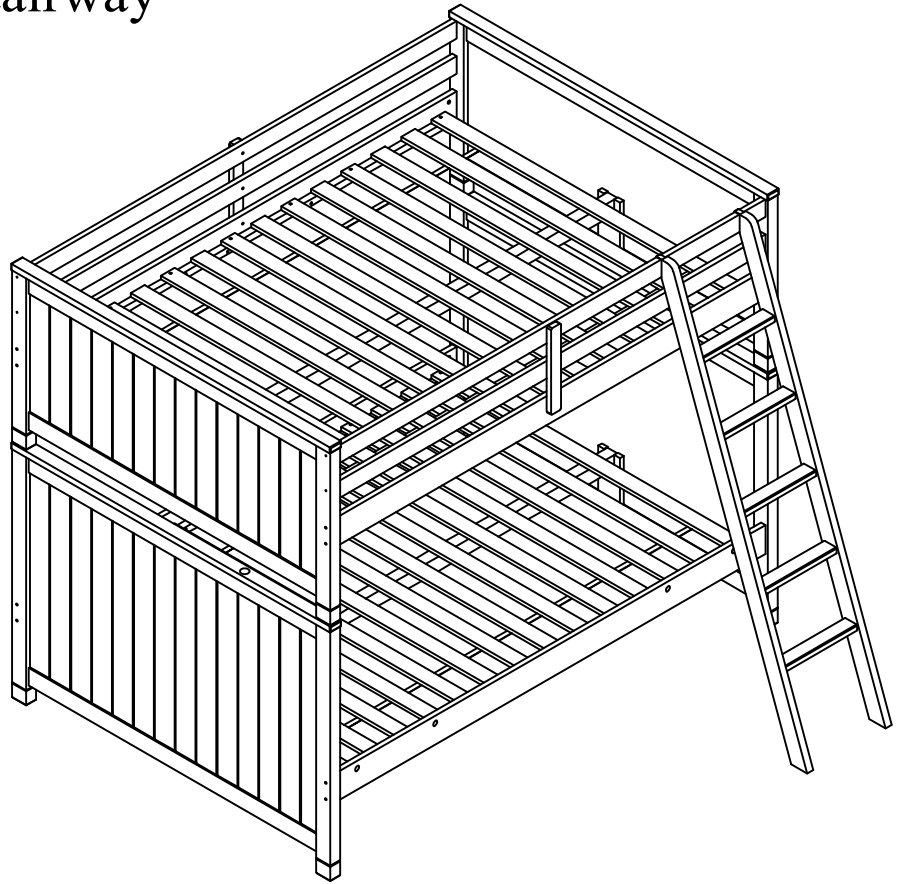
- Use only mattress which is 75" long and 53- 53.5" wide on upper bunk, lower bunk of Full bed.
- Ensure thickness of mattress does not exceed 6" and mattress is at least 5" below upper edge of guardrails.
- Ensure thickness of mattress does not exceed 6" for lower bunk.

## **REPLACEMENT PARTS**

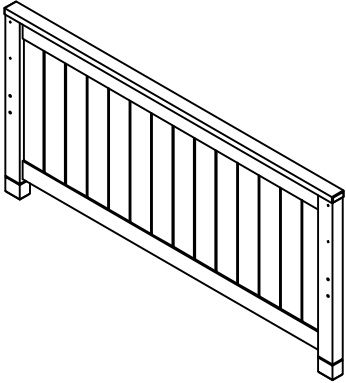
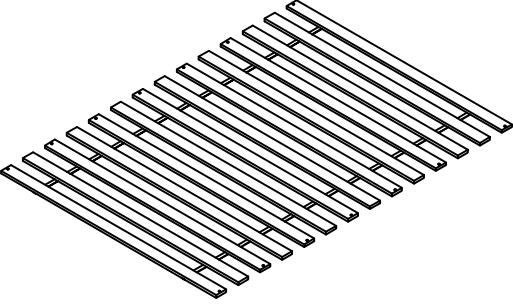
Replacement parts, including additional guardrails, may be requested from Living Spaces, usually at a cost.

KEEP ALL INSTRUCTIONS INCLUDED WITH YOUR  
BEDROOM COMPONENTS FOR FUTURE REFERENCE.

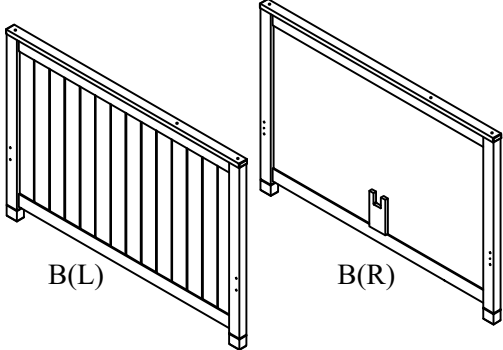
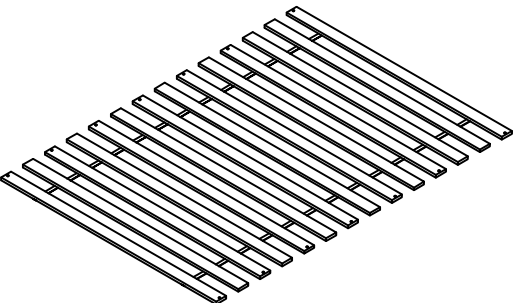
Always use the ladder or Stairway Chest for entering and leaving the upper bunk.  
You will buy ladder/Stairway as options.



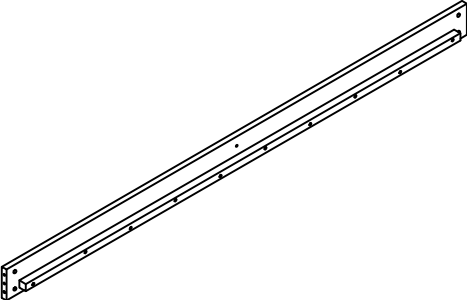
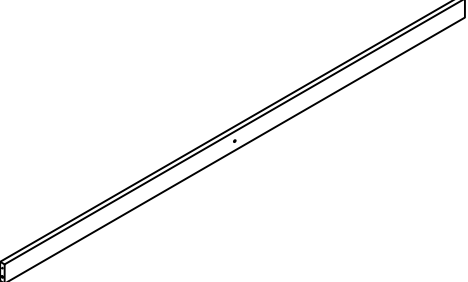

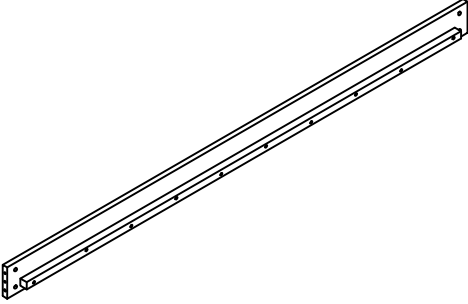
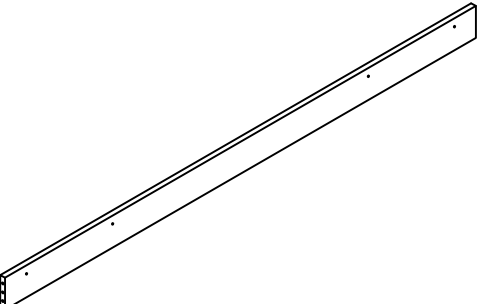
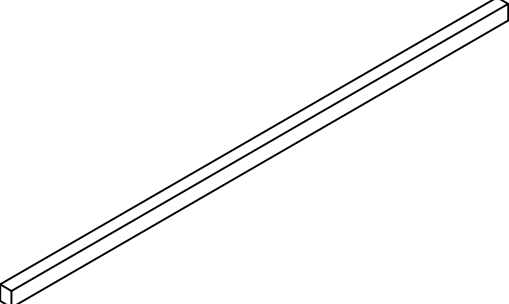
**BOX 1- FL/FL UPPER ENDS/SLATS BUNK BED**

PART	SKU#	IMAGE	DESCRIPTION	QTY
<p align="center">Ⓐ</p>	<p>1987FF-A-W:(White) 1987FF-A-B:(Blue) 1987FF-A-G:(Grey)</p>		<p align="center"><b>Upper Ends</b></p>	<p align="center"><b>2</b></p>
<p align="center">Ⓘ</p>	<p align="center">1987FF-I</p>		<p align="center"><b>Slats</b></p>	<p align="center"><b>1</b></p>



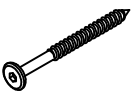


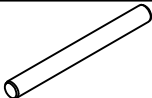


**BOX 2- TW /FL + FL/FL LOWER ENDS/SLATS BUNK BED**

PART	SKU#	IMAGE	DESCRIPTION	QTY
<p align="center">Ⓑ</p>	<p>1987FF-B-W:(White) 1987FF-B-B:(Blue) 1987FF-B-G:(Grey)</p>		<p align="center"><b>Lower Ends</b></p>	<p align="center"><b>2</b></p>
<p align="center">Ⓘ</p>	<p align="center">1987FF-I</p>		<p align="center"><b>Slats</b></p>	<p align="center"><b>1</b></p>

**BOX 3- FL/FL SIDE/GUARD RAILS/SLAT SUPPORT BUNK BED**

PART	SKU#	IMAGE	DESCRIPTION	QTY
C	1987FF-C-W:(White) 1987FF-C-B:(Blue) 1987FF-C-G:(Grey)		Upper Rails	2
D	1987FF-D-W:(White) 1987FF-D-B:(Blue) 1987FF-D-G:(Grey)		Guard rails	4
E	1987FF-E-W:(White) 1987FF-E-B:(Blue) 1987FF-E-G:(Grey)		Guard rail supports	2
F	1987FF-F-W:(White) 1987FF-F-B:(Blue) 1987FF-F-G:(Grey)		Lower back rail	1
G	1987FF-G-W:(White) 1987FF-G-B:(Blue) 1987FF-G-G:(Grey)		Lower Front Rail	1
H	1987FF-H		Slat supports	2

## Hardware List of Luca Full-Full Bunk Bed

Part	SKU#	IMAGE	DESCRIPTION	QTY
①	1987FF-1(16)		Bolt and nut M8*90mm	16
②	1987FF-2(6)		Bolts M8*35mm	6
③	1987FF-3(8)		Screws Ø6.5*83mm	8
④	1987FF-4(16)		Dowel Ø8*40mm	16
⑤	1987FF-5(28)		Screws 8#*30mm	28
⑥	1987FF-6(4)		Metal dowel Ø10*100mm	4
⑦	1987FF-7(1)		Allen key 60*22*4mm	1
⑧	1987FF-8(6)		Stickers	6

***Note: Screwdriver will be prepared by yourself.***

**THE HARDWARE IS LOCATED IN THE PACKING ITEM**

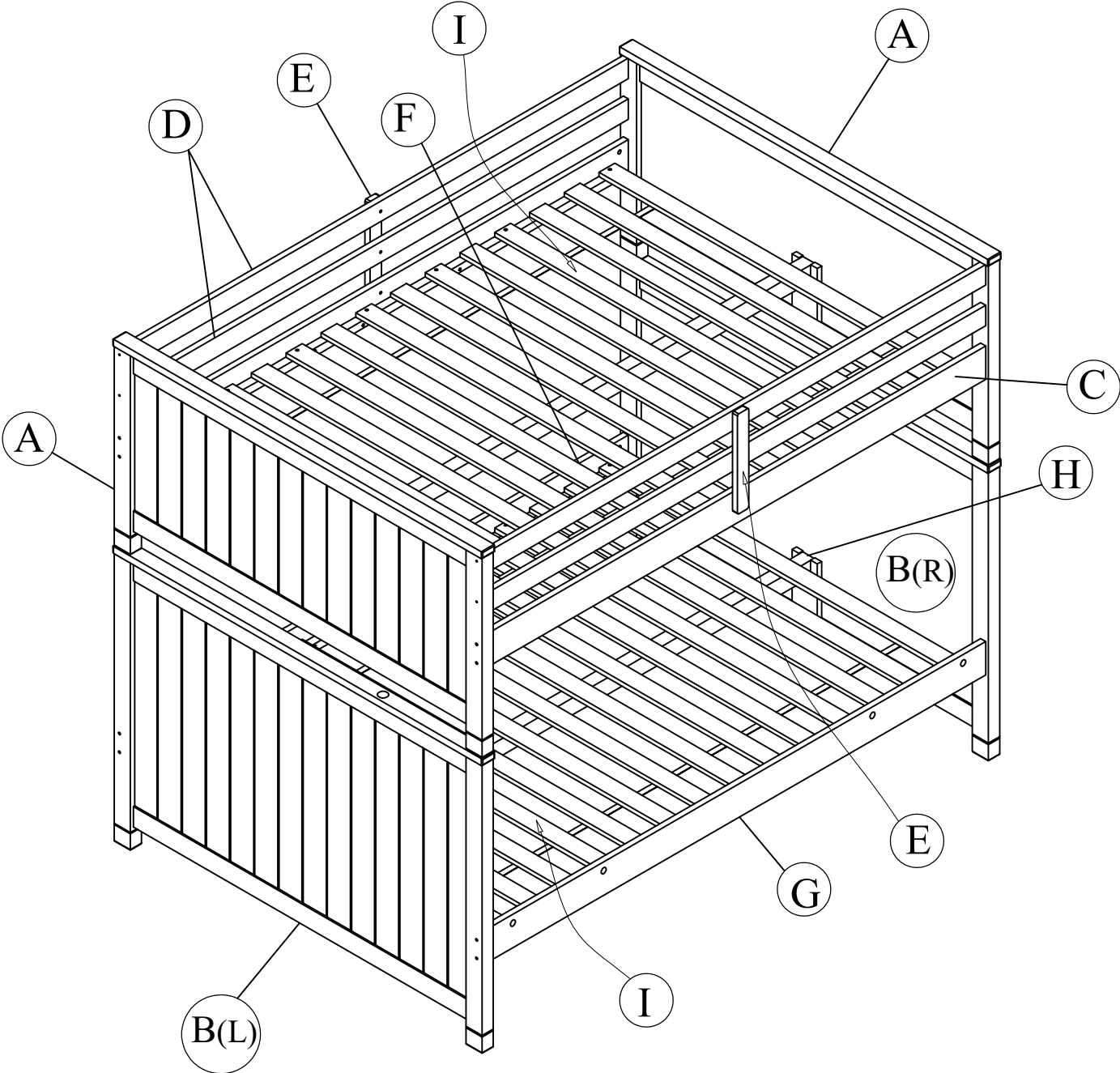
**NOTE: MUST TIGHTEN SCREWS PERIODIACLLY. WITH USE SCREW MAY ENCOME LOOSE CHECK TIGHTNESS OF ALL SCREWS EVERY 6-8 WEEKS.**

### CLEANING INSTRUCTIONS:

After assembly, clean and polish the completed parts if necessary with soft cloth and industrial recognized furniture polish.



Detail view



**STEP 1:**

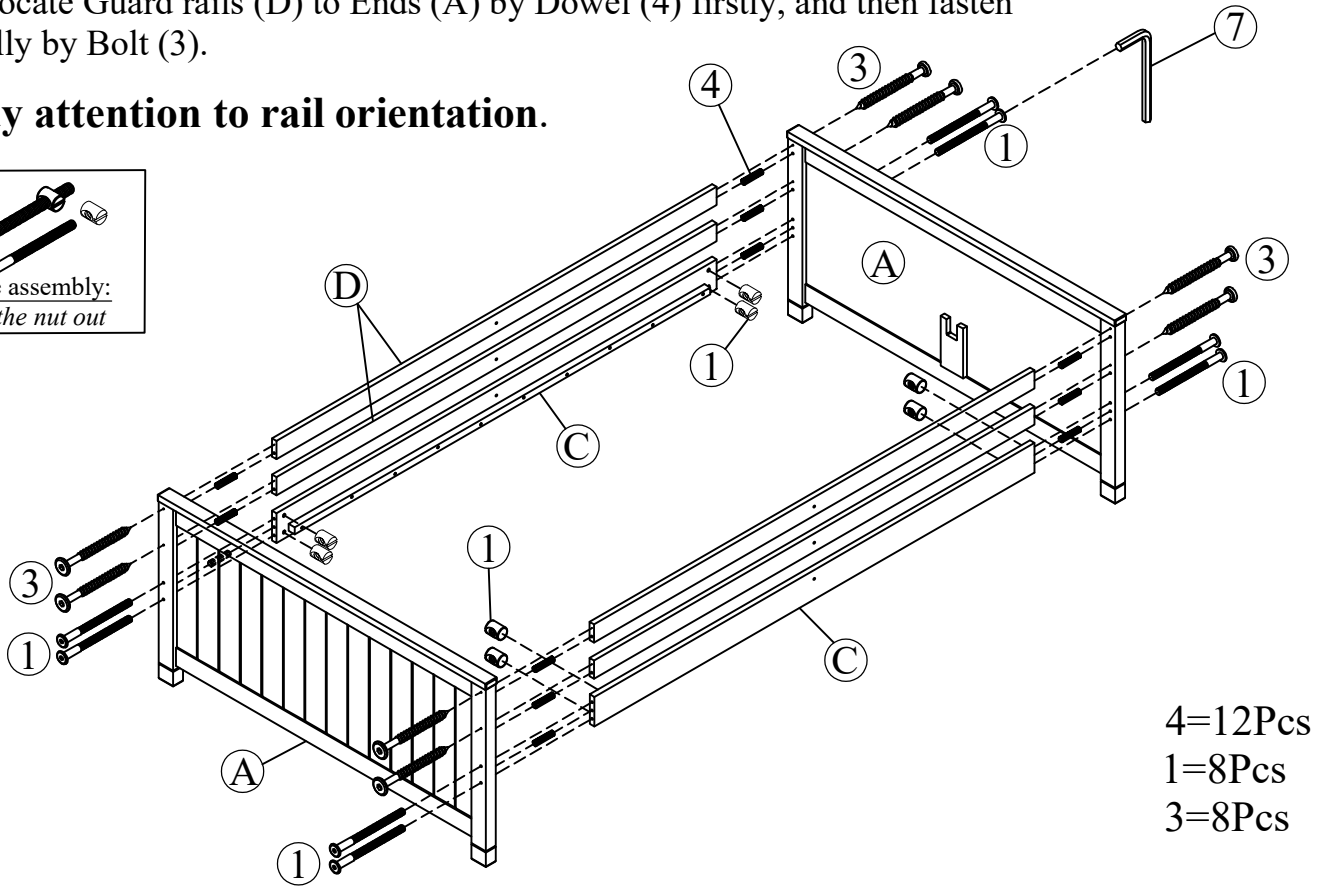
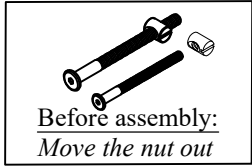
\* **Assembly Rail (C):**

Please locate two rails (C) to Ends (A) by Dowel (4) firstly, and then fasten gradually by Bolt+nut (1) BUT NO TIGHTEN.

\* **Assembly Guard Rail (D):**

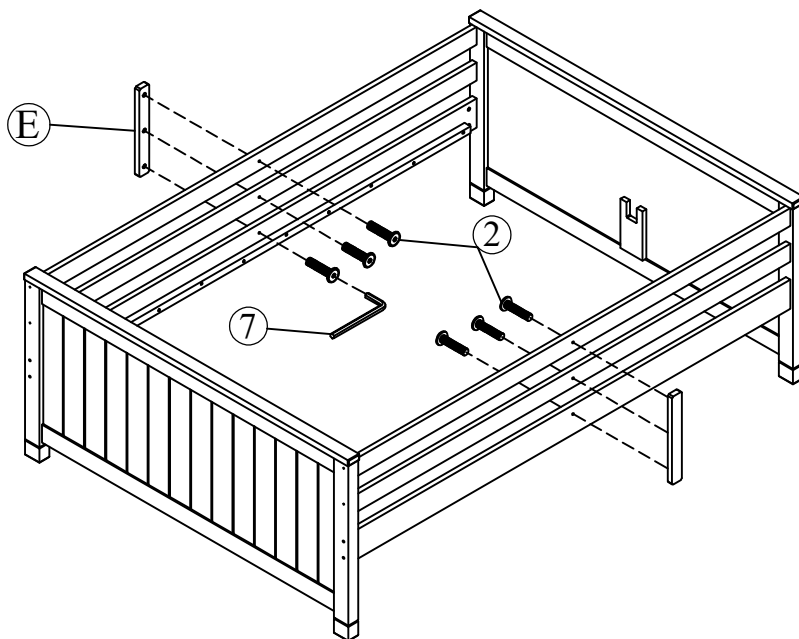
Please locate Guard rails (D) to Ends (A) by Dowel (4) firstly, and then fasten gradually by Bolt (3).

**⚠ Pay attention to rail orientation.**



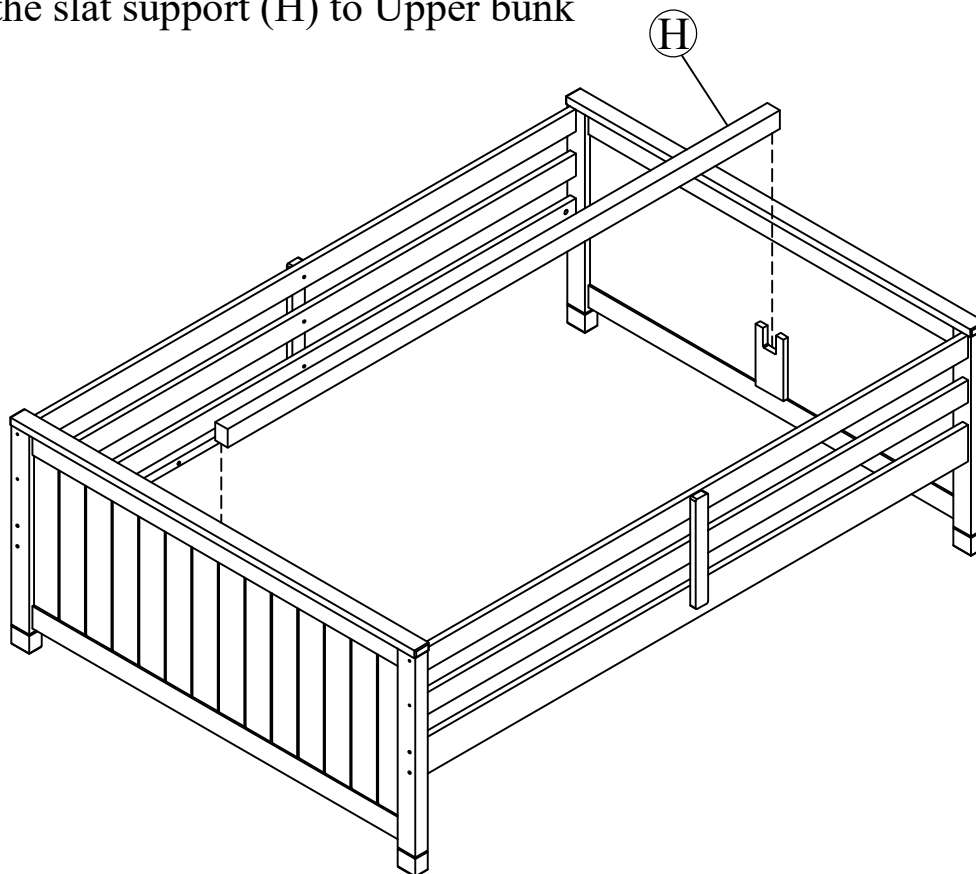
**STEP 2:**

Assemble the Guard Rail Supports (E) to Upper bed frame by Bolt (2).

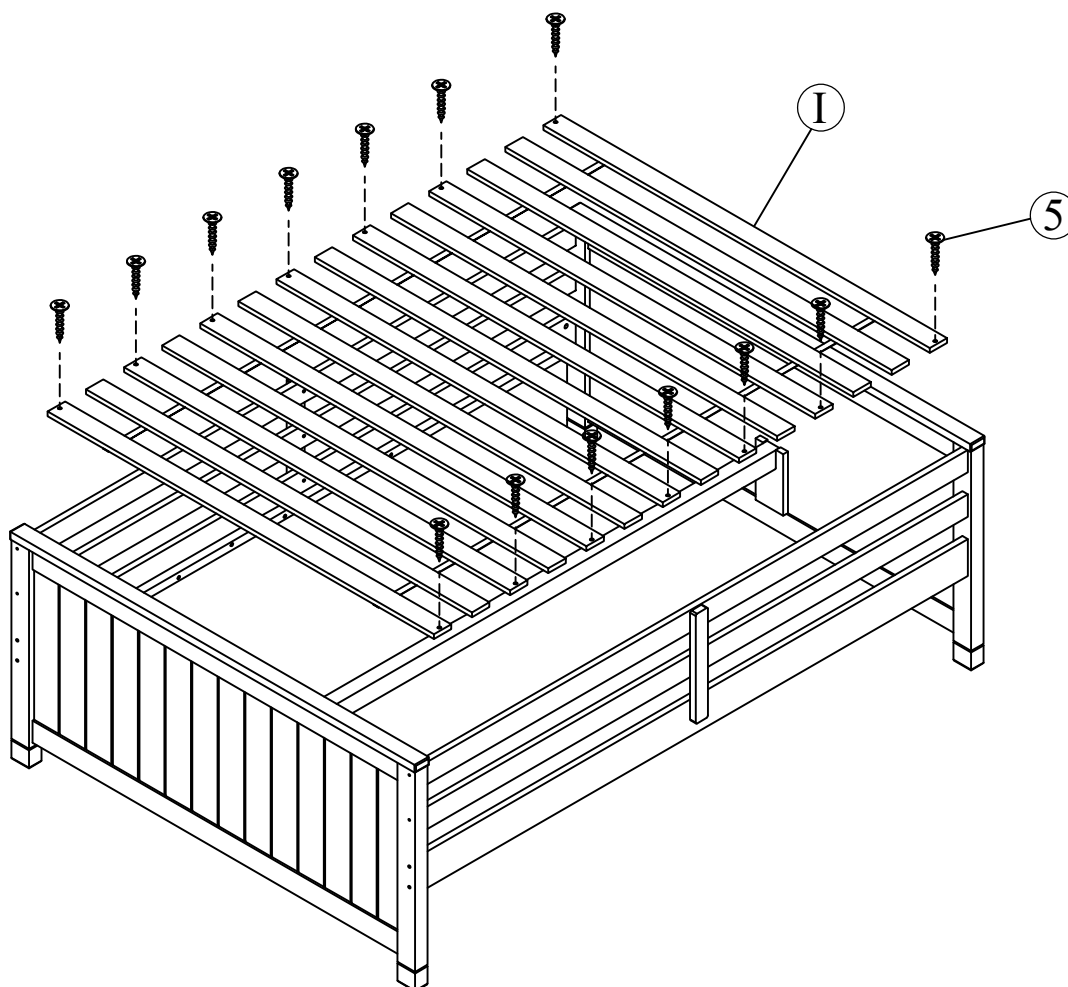


2=6Pcs

STEP 3: Place the slat support (H) to Upper bunk



STEP 4: Please fasten slats (I) by screw (5) into corresponding holes.

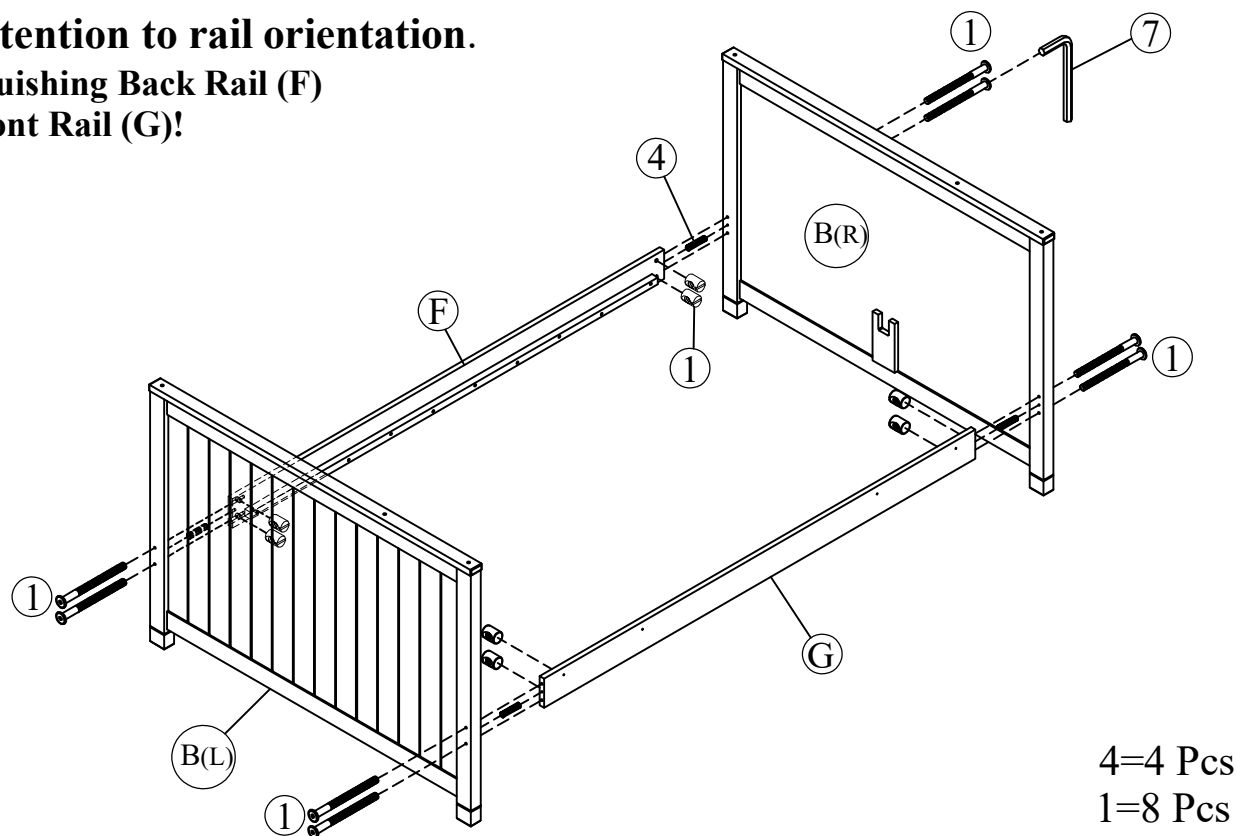


**STEP 5: Assembly Rail (F), (G):**

Please locate two rails (F) , (G) to Ends (B) by Dowel (4) firstly, and then fasten gradually by Bolt+nut (1) .

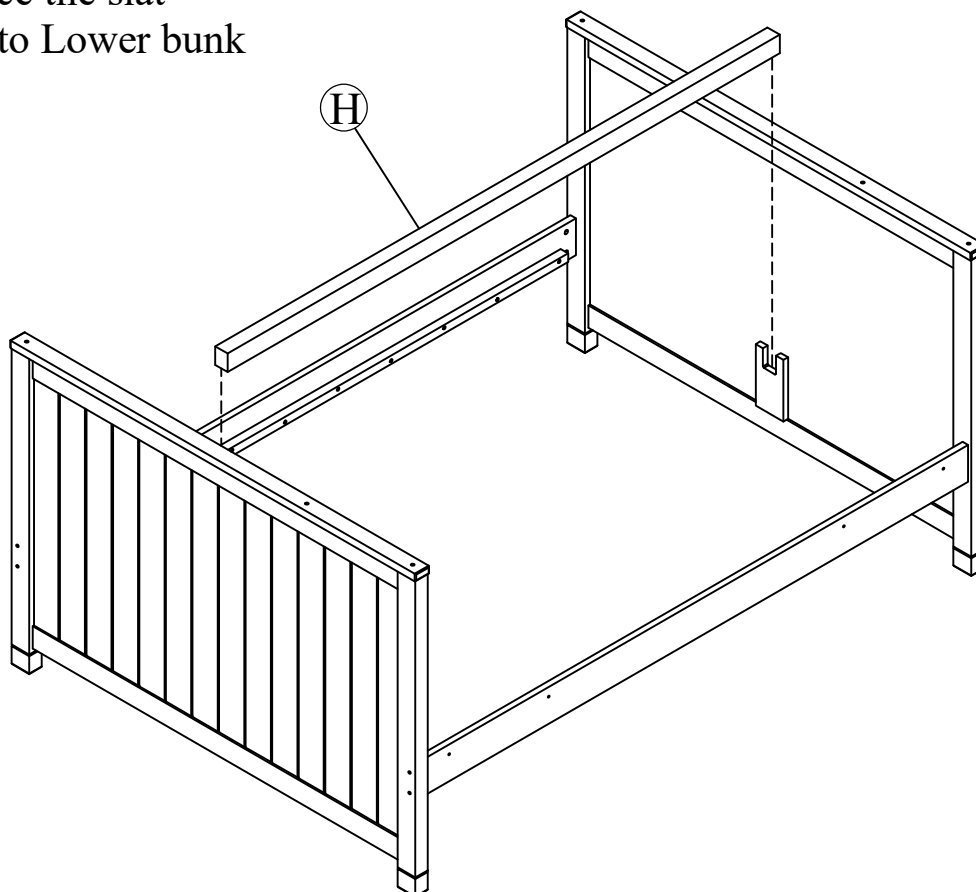
**⚠ Pay attention to rail orientation.**

**Distinguishing Back Rail (F)  
and Front Rail (G)!**

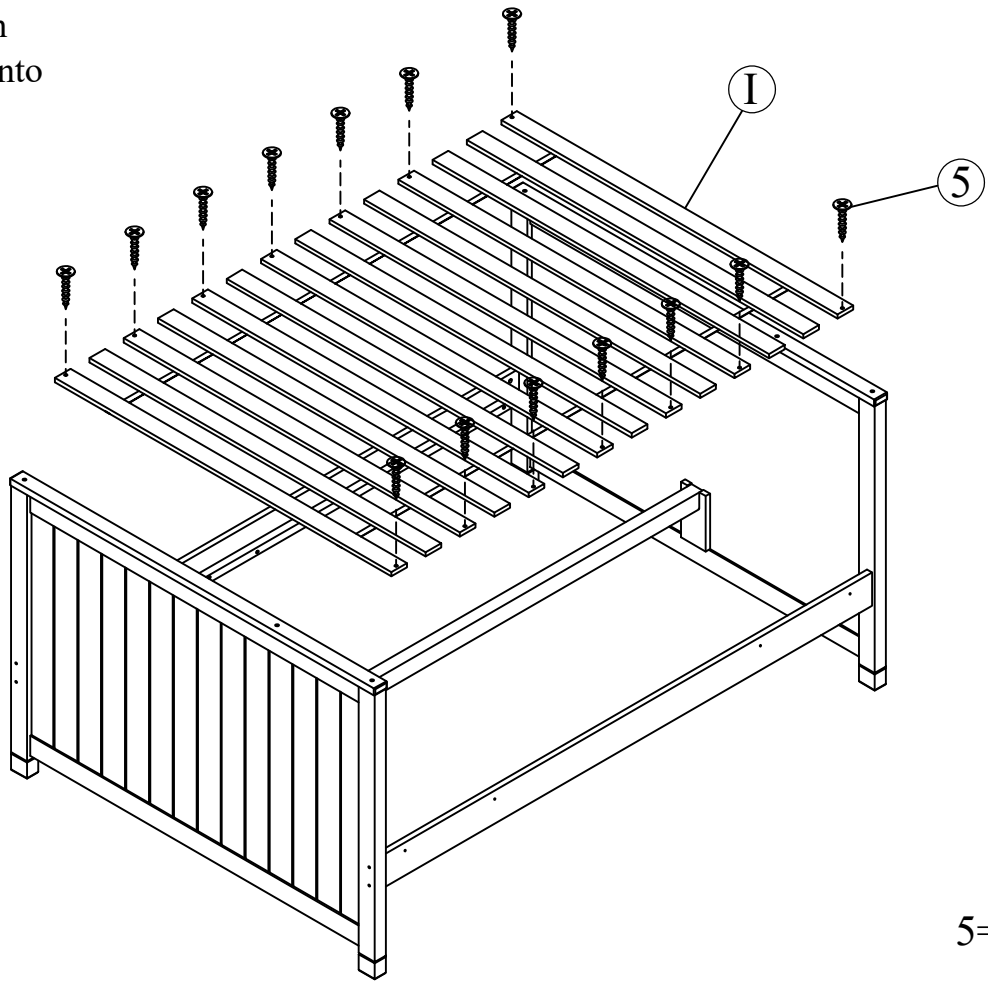


4=4 Pcs  
1=8 Pcs

**STEP 6: Place the slat support (H) to Lower bunk**

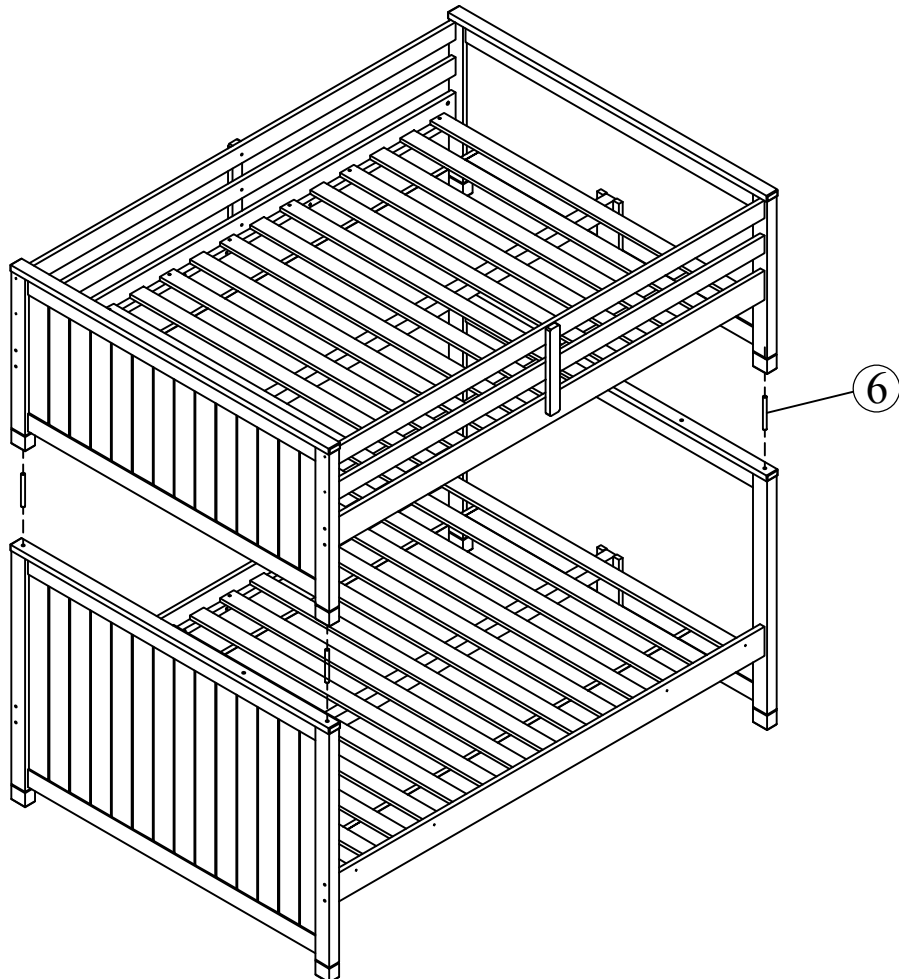


**STEP 7:** Please fasten slats (I) by screw (5) into corresponding holes.



5=14 Pcs

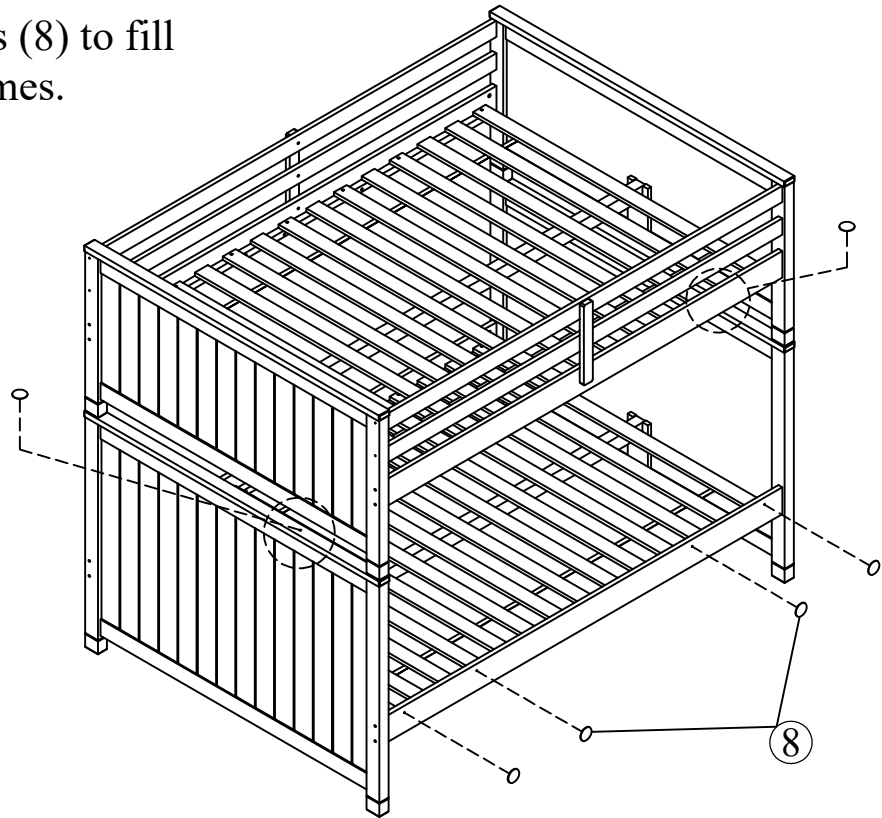
**STEP 8:**  
Assemble the upper bunk to lower bunk by Metal dowel (6).



6=4 Pcs

Notice:

Using the color stickers (8) to fill the empty holes on frames.

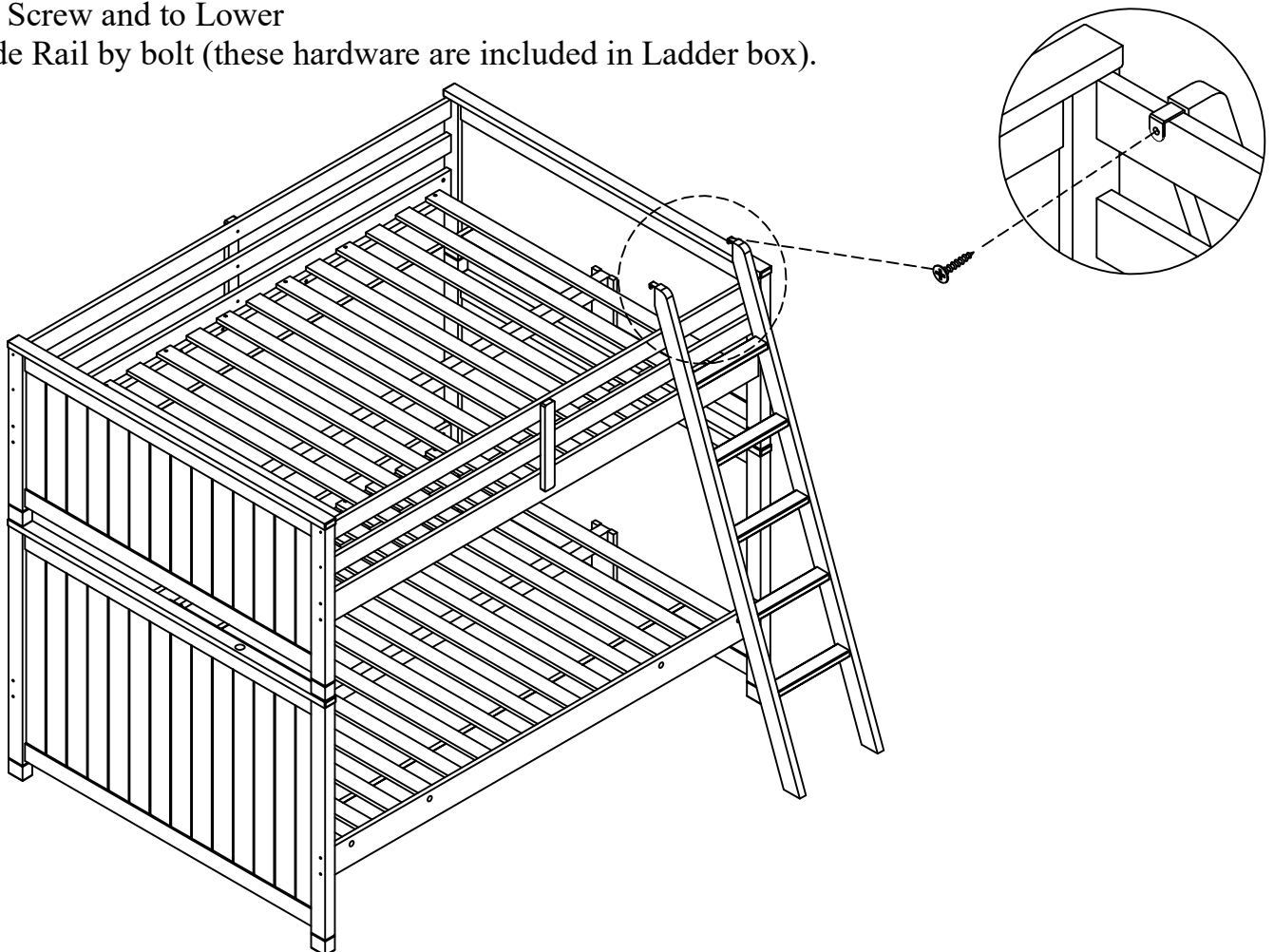


8=6 Pcs

---

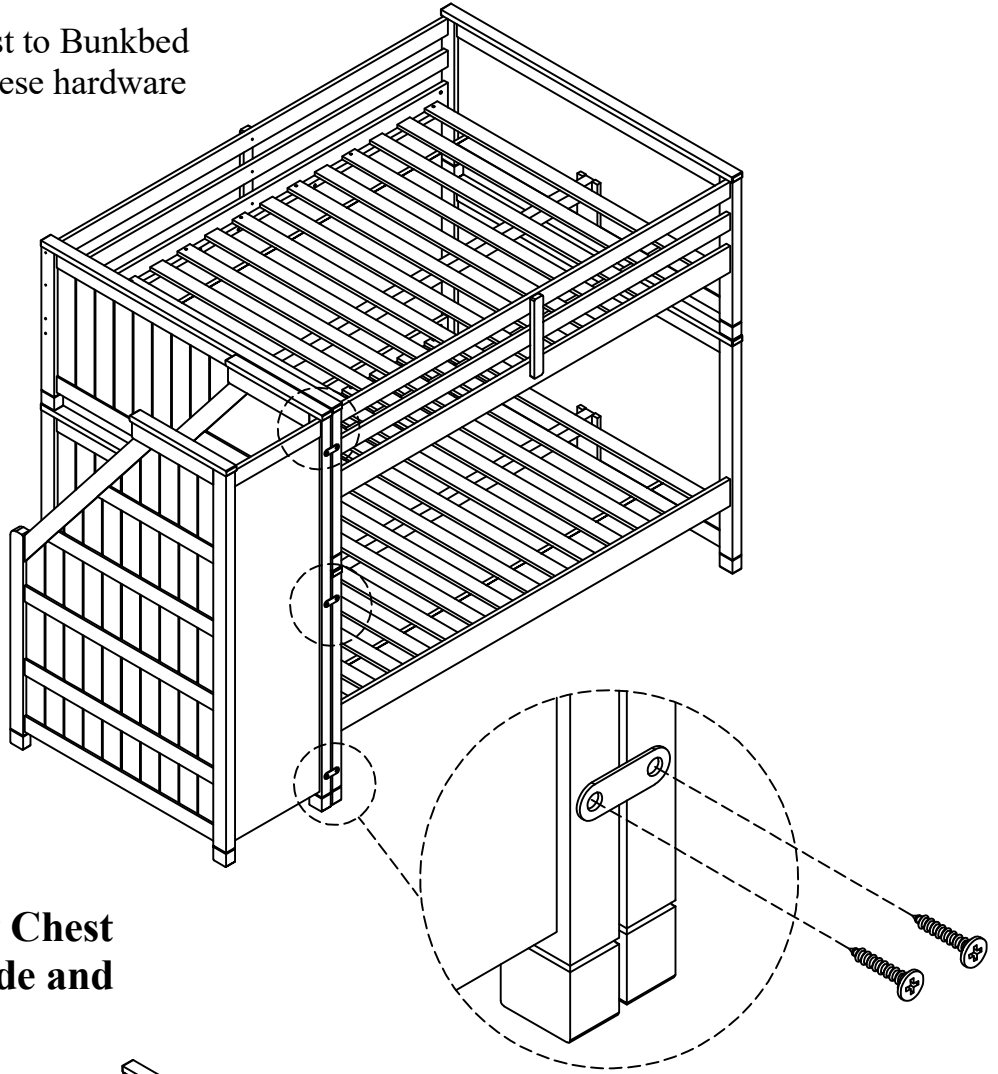
## Combining with Ladder ( Option 1).

Attaching the ladder to Guard rail  
by Screw and to Lower  
Side Rail by bolt (these hardware are included in Ladder box).

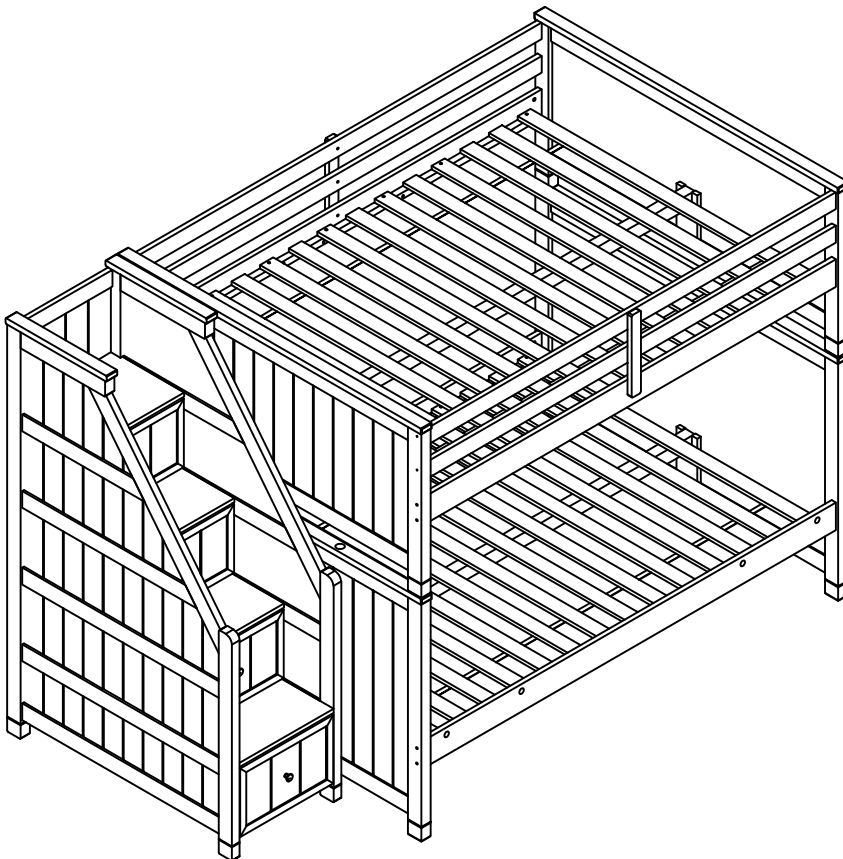


## Combining with Stairway Chest ( Option 2).

Please attach the Stairway Chest to Bunkbed by metal bracket and screw ( these hardware are included in Stairway box).



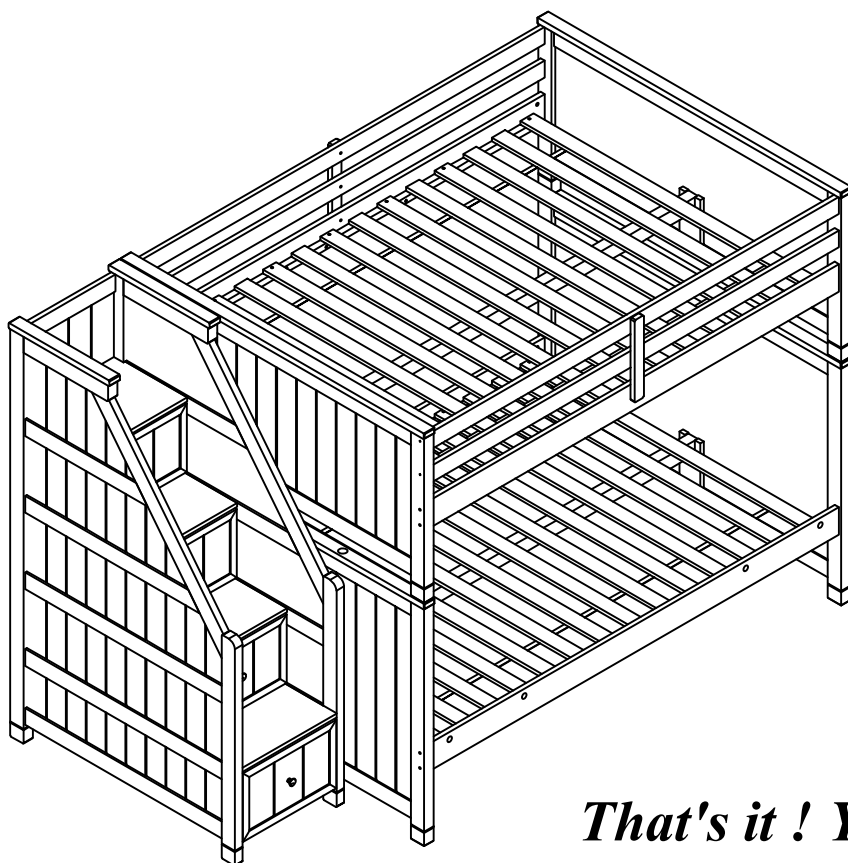
**!** Please place Stairway Chest is next to Bunkbed Side and wall.



Option 1:



Option 2:



***That's it ! You've finished  
assembling your item. Thank you!***