



# ASSEMBLY INSTRUCTIONS

## **LUCA TWIN CORNER BOOKCASE BED**

**ITEM NO: Y2103W-352/353 SKU: 314675/314676**

**Y2103B-352/353 314585/314586**

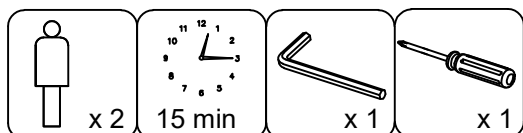
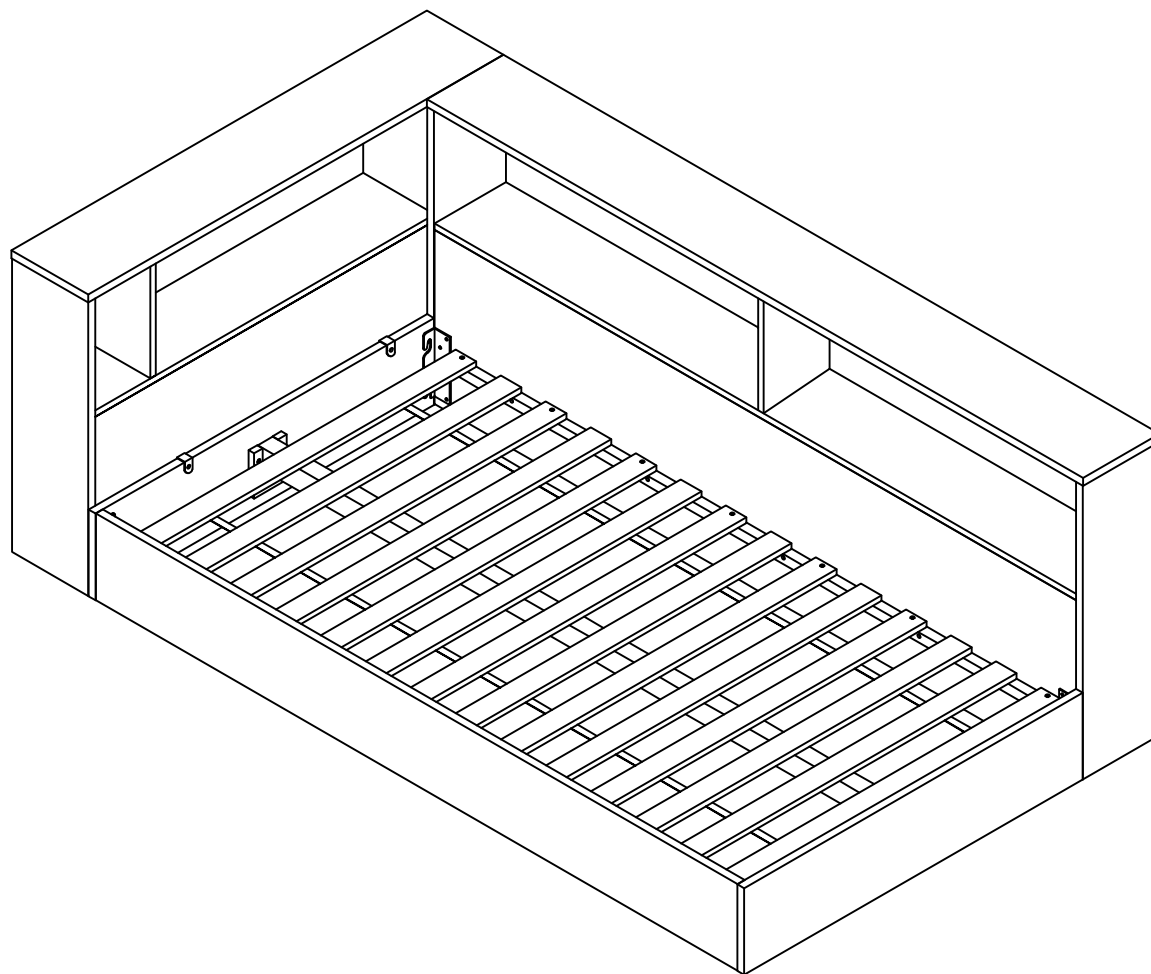
**Y2103G-352/353 314629/314630**

## **LUCA FULL CORNER BOOKCASE BED**

**ITEM NO: Y2103W-352/355 SKU: 314675/314677**

**Y2103B-352/355 314585/314587**

**Y2103G-352/355 314629/314631**

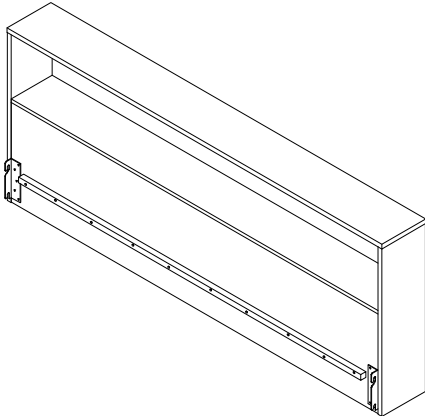
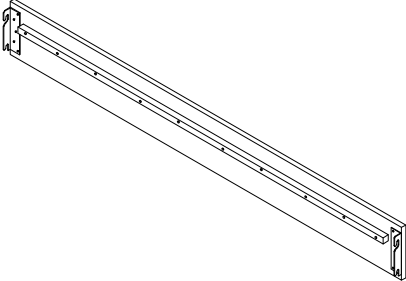




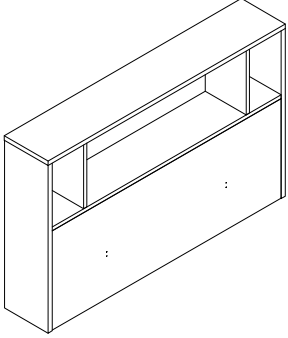
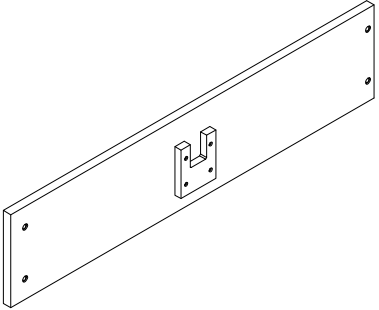
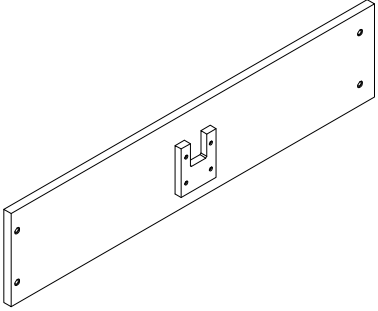
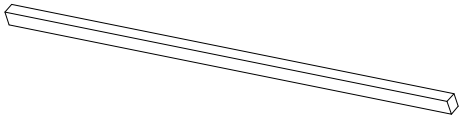
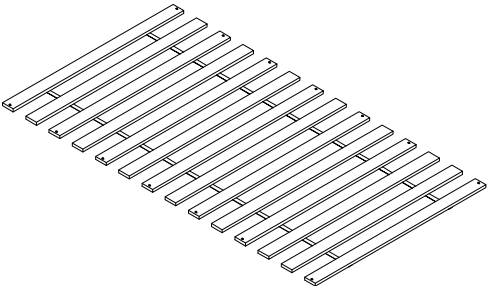
*If your item is TWIN Corner bookcase bed:  
Please help to check part list in page 2 and page 3*



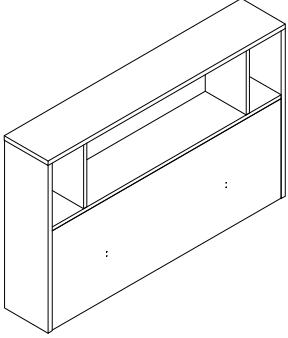
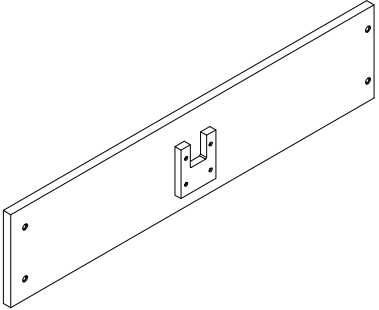
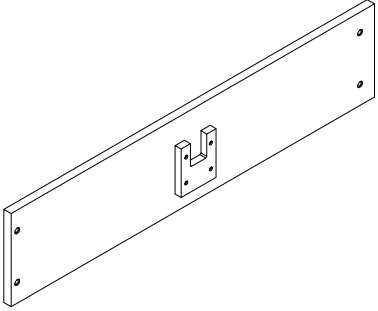
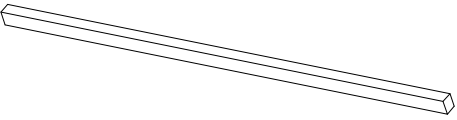
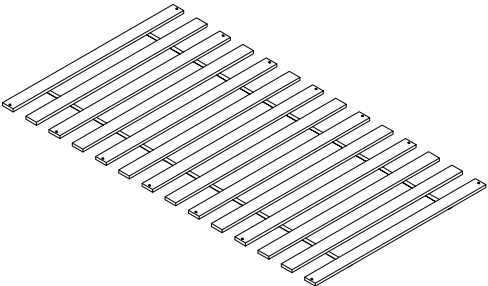
*If your item is FULL Corner bookcase bed:  
Please help to check part list in page 2 and page 4*

<b>BOX 1- TW /FL LONG HEADBOARD/RAILS CORNER BOOKCASE BED</b>				
<b>PART</b>	<b>SKU#</b>	<b>IMAGE</b>	<b>DESCRIPTION</b>	<b>QTY</b>
<b>(A)</b>	1993TF-A-W: (White) 1993TF-A-B: (Blue) 1993TF-A-G: (Grey)		<b>Long bookcase</b>	<b>1</b>
<b>(C)</b>	1993TF-C-W: (White) 1993TF-C-B: (Blue) 1993TF-C-G: (Grey)		<b>Rail</b>	<b>1</b>




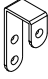

**BOX 2-TWIN SHORT HEADBOARD/FOOTBOARD/SLATS CORNER  
BOOKCASE BED**

PART	SKU#	IMAGE	DESCRIPTION	QTY
<p align="center">ⓑ</p>	<p>1993T-B-W: (White) 1993T-B-B: (Blue) 1993T-B-G: (Grey)</p>		<p align="center"><b>Short bookcase</b></p>	<p align="center"><b>1</b></p>
<p align="center">Ⓓ</p>	<p>1993T-D-W: (White) 1993T-D-B: (Blue) 1993T-D-G: (Grey)</p>		<p align="center"><b>Headboard</b></p>	<p align="center"><b>1</b></p>
<p align="center">Ⓔ</p>	<p>1993T-E-W: (White) 1993T-E-B: (Blue) 1993T-E-G: (Grey)</p>		<p align="center"><b>Footboard</b></p>	<p align="center"><b>1</b></p>
<p align="center">Ⓕ</p>	<p align="center">1993T-F</p>		<p align="center"><b>Slat support</b></p>	<p align="center"><b>1</b></p>
<p align="center">Ⓖ</p>	<p align="center">1993T-G</p>		<p align="center"><b>Slats</b></p>	<p align="center"><b>1</b></p>

**BOX 2-FULL SHORT HEADBOARD/FOOTBOARD/SLATS CORNER  
BOOKCASE BED**

PART	SKU#	IMAGE	DESCRIPTION	QTY
<p align="center">ⓑ</p>	<p>1993F-B-W: (White) 1993F-B-B: (Blue) 1993F-B-G: (Grey)</p>		<p align="center"><b>Short bookcase</b></p>	<p align="center"><b>1</b></p>
<p align="center">Ⓓ</p>	<p>1993F-D-W: (White) 1993F-D-B: (Blue) 1993F-D-G: (Grey)</p>		<p align="center"><b>Headboard</b></p>	<p align="center"><b>1</b></p>
<p align="center">Ⓔ</p>	<p>1993F-E-W: (White) 1993F-E-B: (Blue) 1993F-E-G: (Grey)</p>		<p align="center"><b>Footboard</b></p>	<p align="center"><b>1</b></p>
<p align="center">Ⓕ</p>	<p align="center">1993F-F</p>		<p align="center"><b>Slat support</b></p>	<p align="center"><b>1</b></p>
<p align="center">Ⓖ</p>	<p align="center">1993F-G</p>		<p align="center"><b>Slats</b></p>	<p align="center"><b>1</b></p>

## Hardware List of Luca Twin/Full Corner Bookcase Bed

Part	SKU#	IMAGE	DESCRIPTION	QTY
①	1993TF-1(8)		Bolts M8*20mm	8
②	1993TF-2(14)		Screws 8#*30mm	14
③	1993TF-3(6)		Screws 6#*15mm	6
④	1992TF-4(2)		Hook 63*18*2mm	2
⑤	1992TF-5(1)		Allen key 60*22*4mm	1

***Note: Screwdriver will be prepared by yourself.***

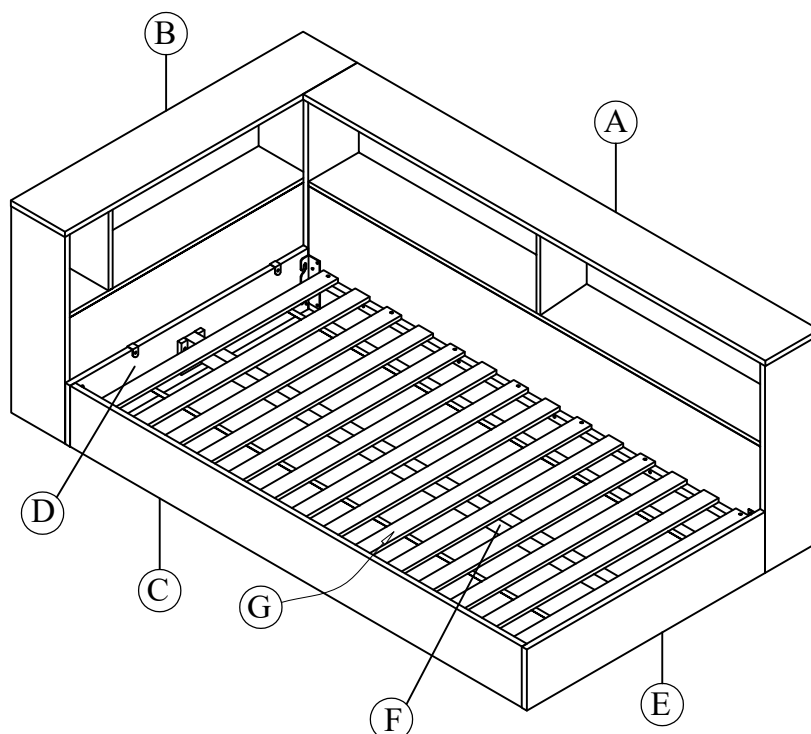
**THE HARDWARE IS LOCATED IN THE PACKING ITEM**

**NOTE: MUST TIGHTEN SCREWS PERIODIACLLY. WITH USE SCREW MAY ENCOME LOOSE CHECK TIGHTNESS OF ALL SCREWS EVERY 6-8 WEEKS.**

### CLEANING INSTRUCTIONS:

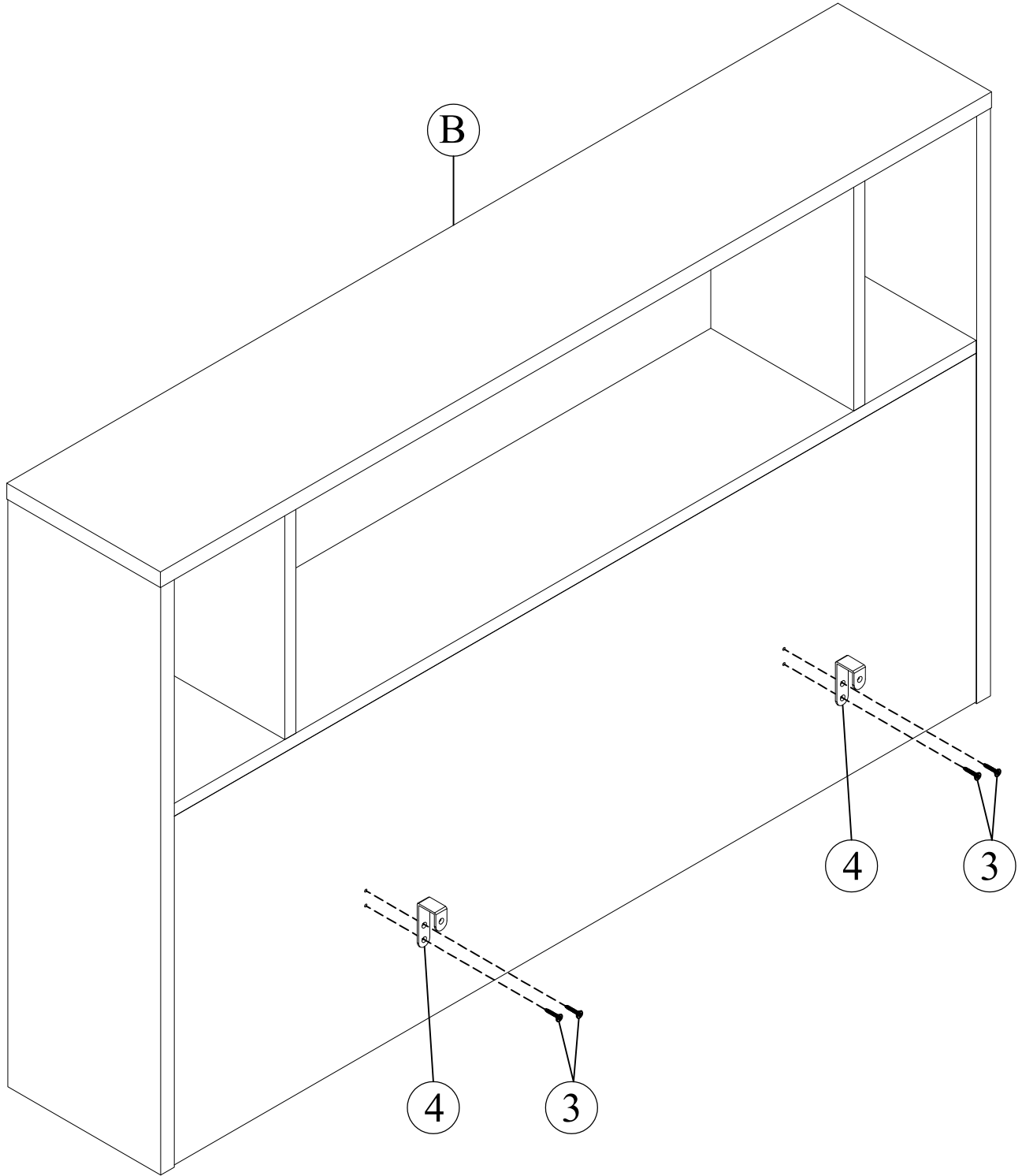
After assembly, clean and polish the completed parts if necessary with soft cloth and industrial recognized furniture polish.

### Detail view



**STEP 1:**

Attaching the hook (4) to pre-holes on Short bookcase (B) by screw (3)

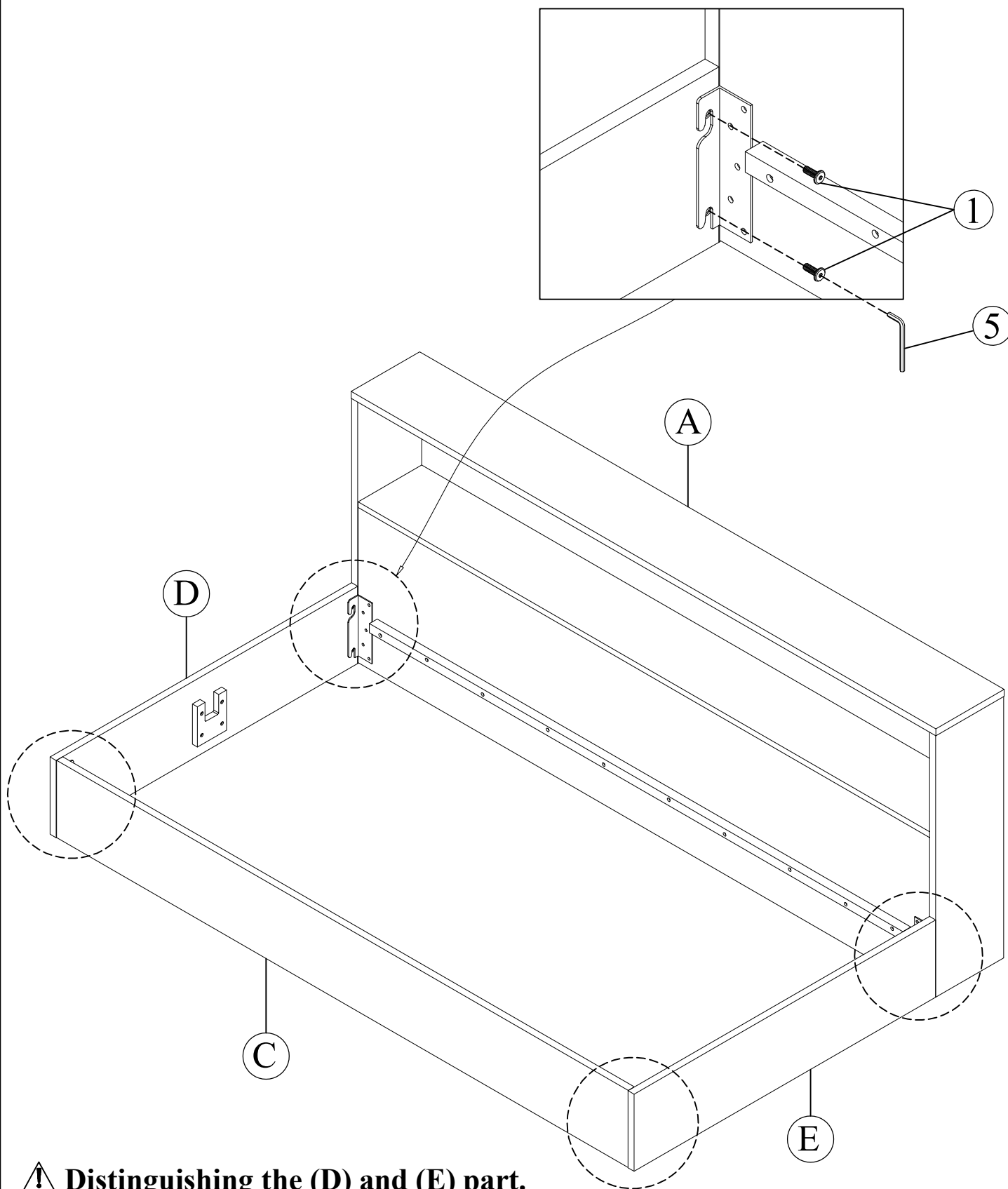
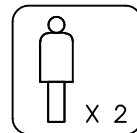


3=4 Pcs  
4=2 Pcs

**STEP 2:**

Place the hook of (A) and (C) closes to Ends (D) and (E), then fasten by Bolt (1).

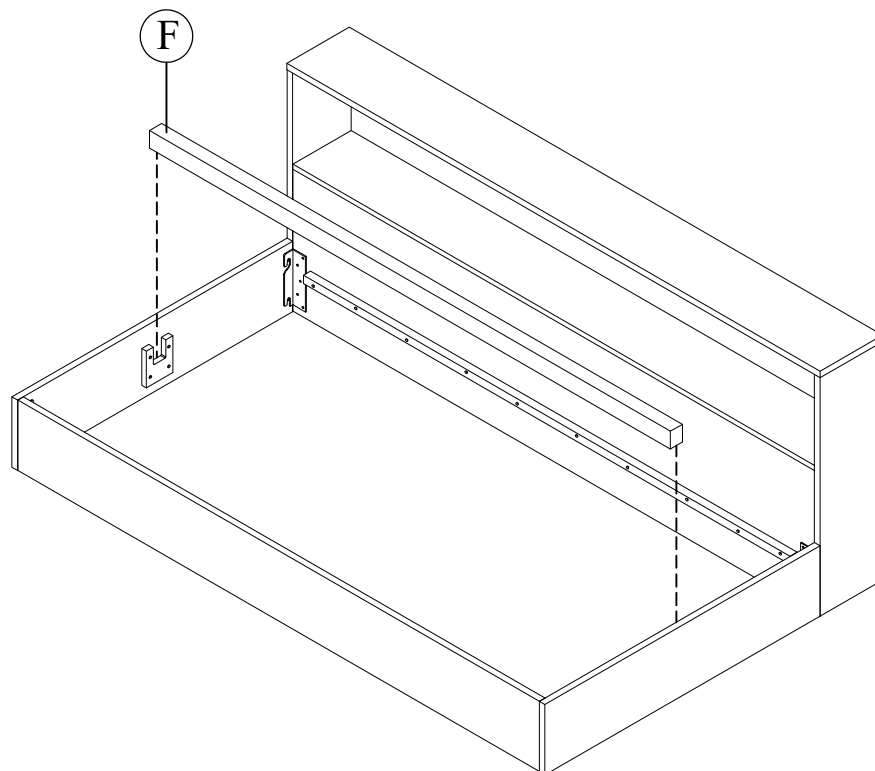
**⚠ Pay attention to rail orientation and must have two people assemble.**



**⚠ Distinguishing the (D) and (E) part.**

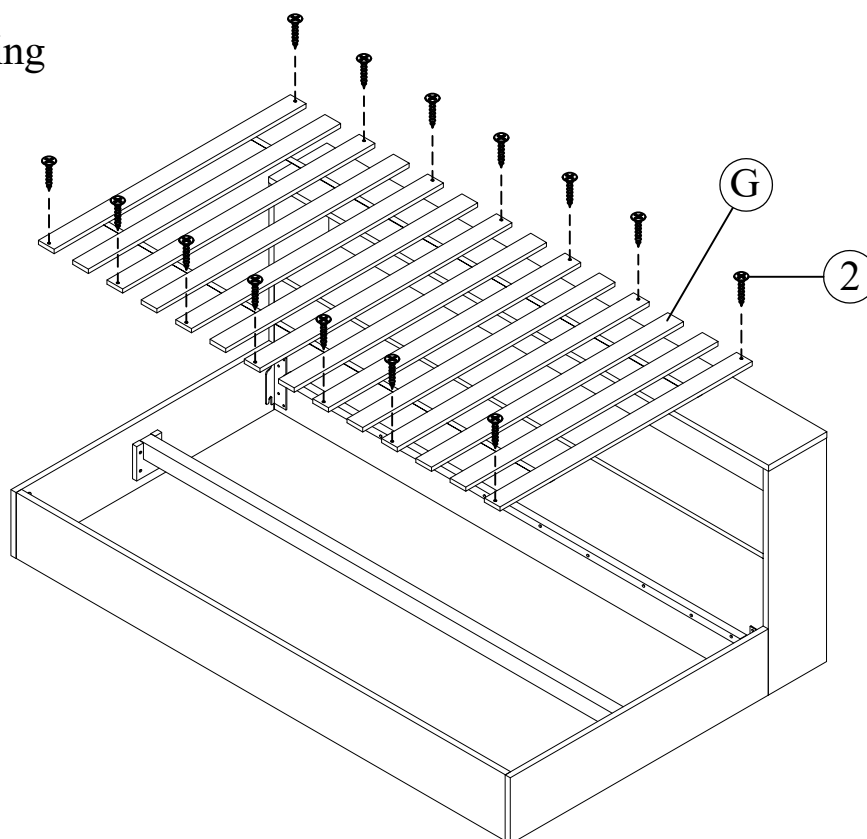
1=8 Pcs

STEP 3: Place the Slat support (F) to Bed Frame



STEP 4:

Please fasten slats (G) by screw (2) into corresponding holes.



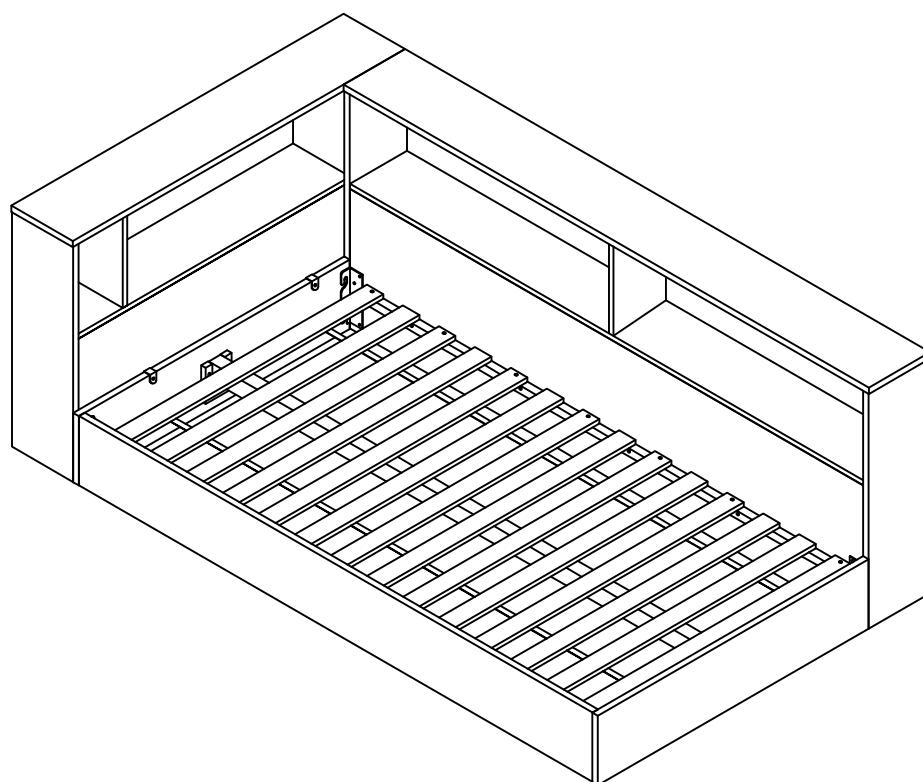
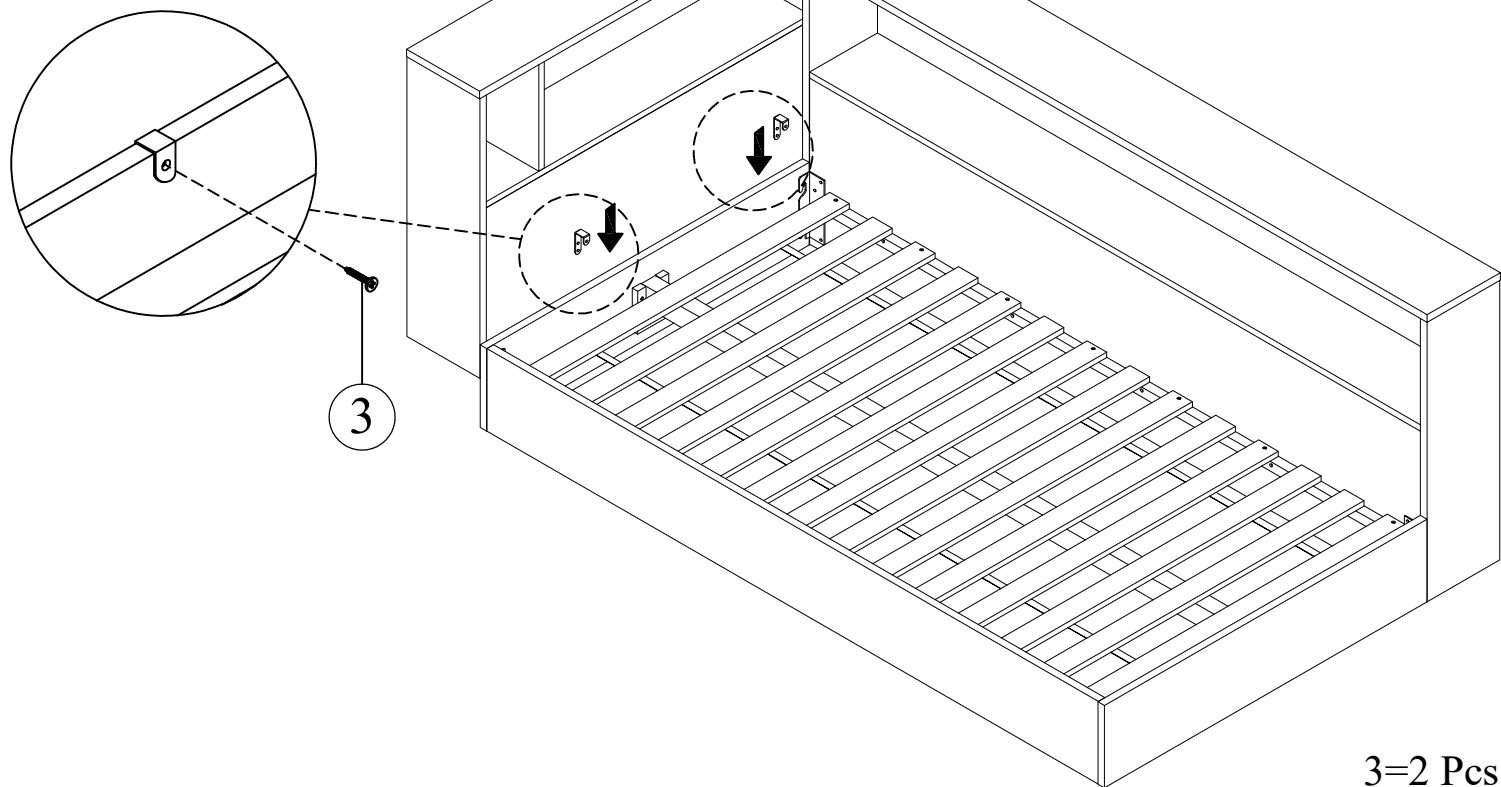
2=14 Pcs



**STEP 5:**

Connecting the short bookcase  
to bed frame and fix by screw

(3)



*That's it ! You've finished  
assembling your item. Thank you!*