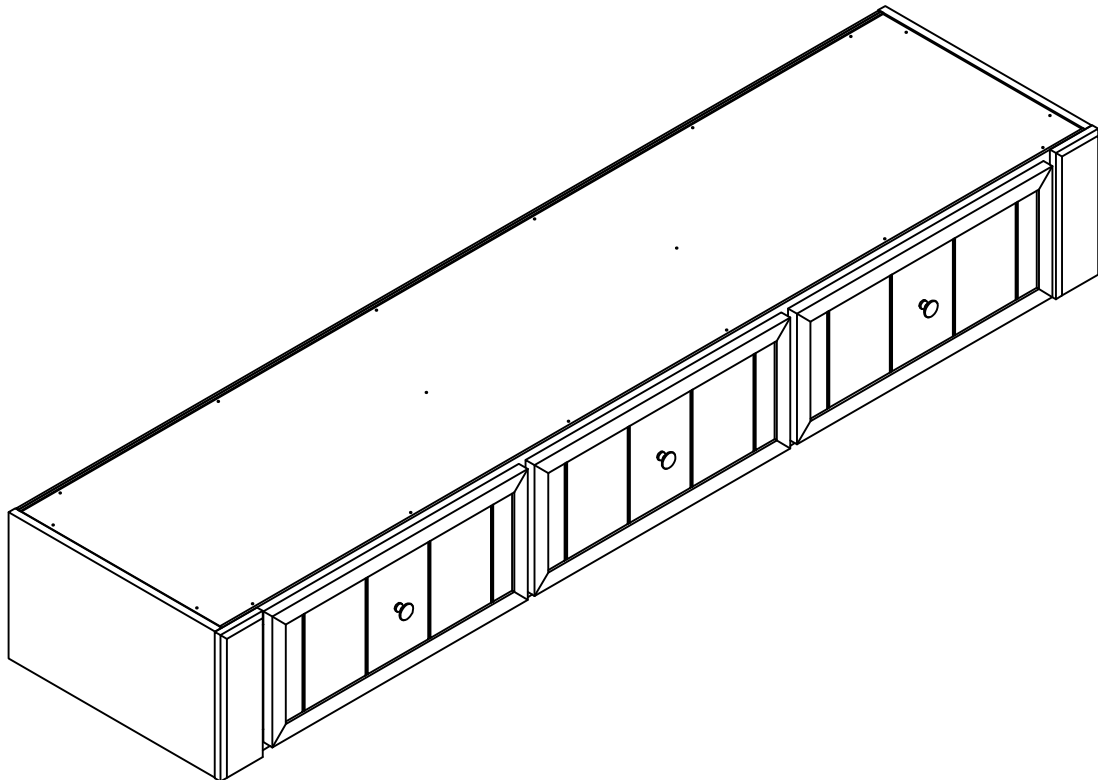




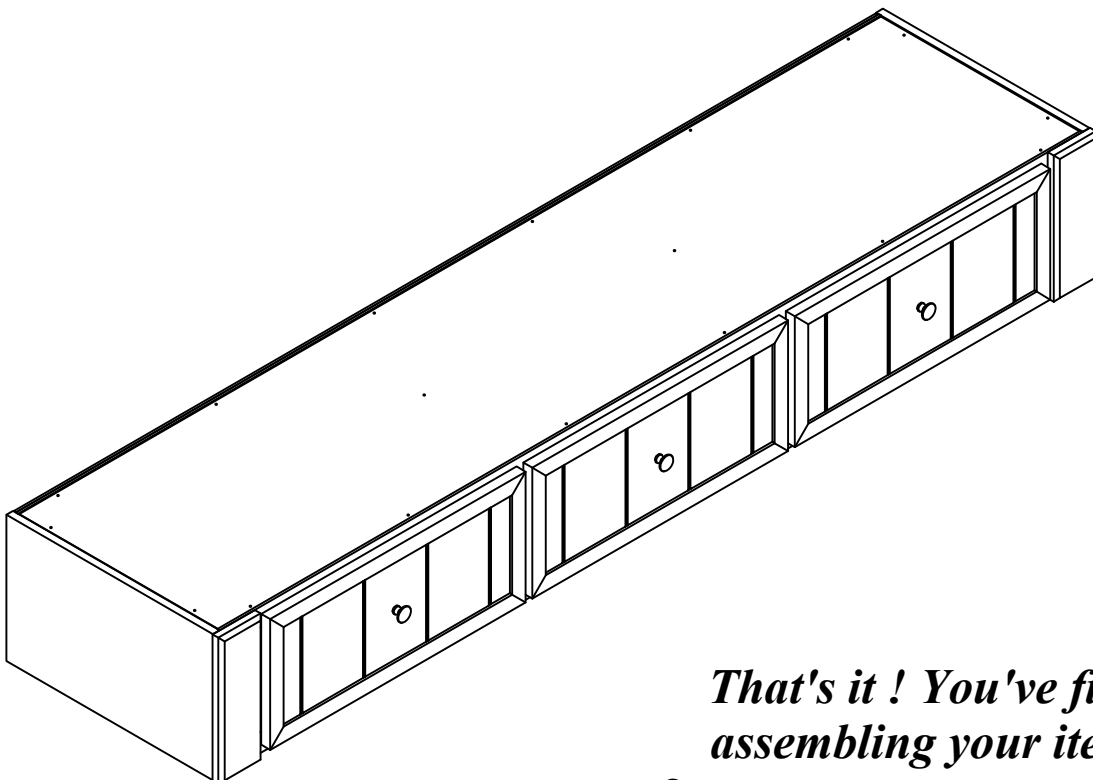
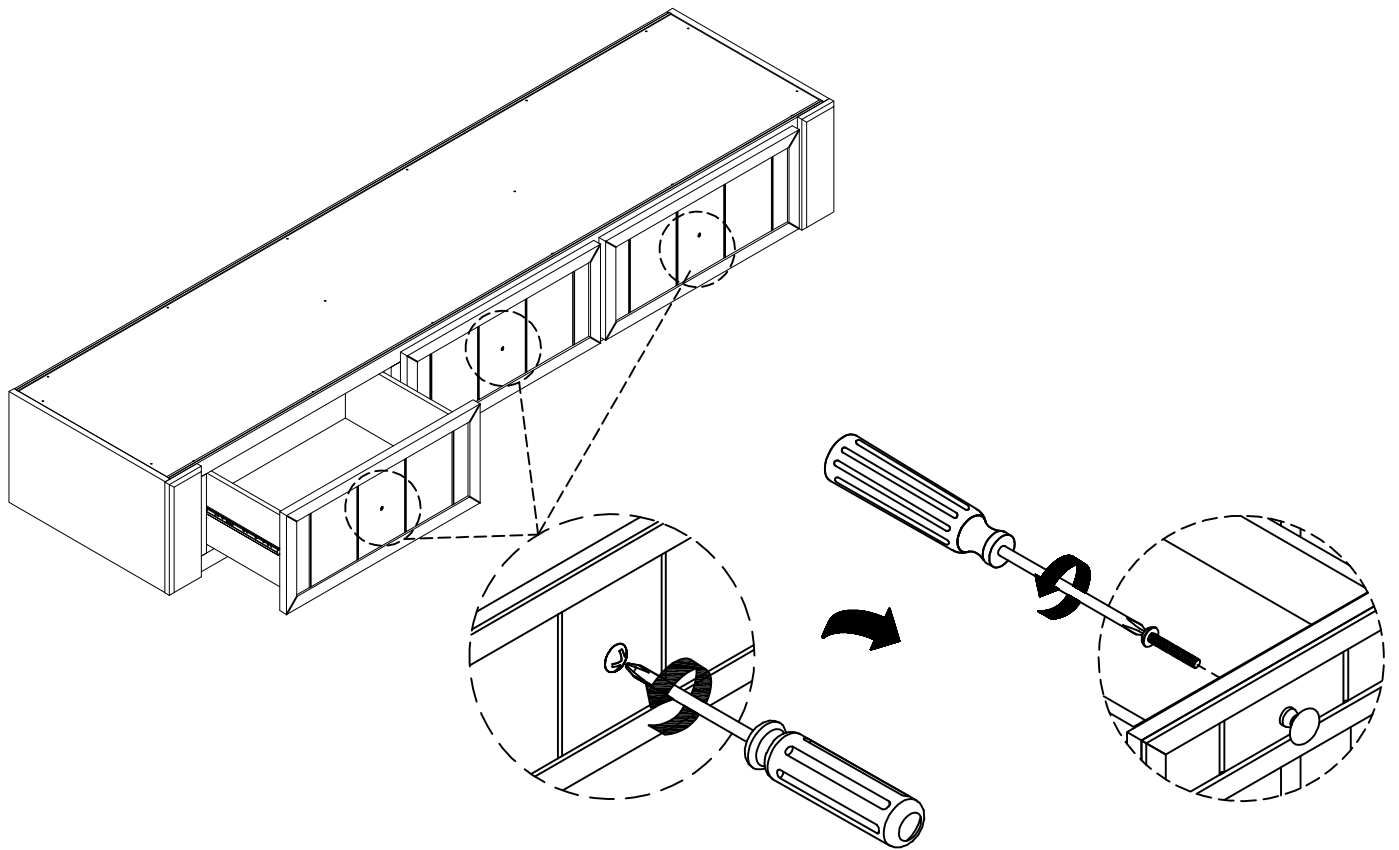
ASSEMBLY INSTRUCTIONS

LUCA 3 DRAWER PANEL/BUNK/DAYBED UNDERBED STORAGE

ITEM NO: Y2103W-347 SKU: 314670
 Y2103B-347 314582
 Y2103G-347 314626



Revert the knob as instruction



*That's it ! You've finished
assembling your item. Thank you!*

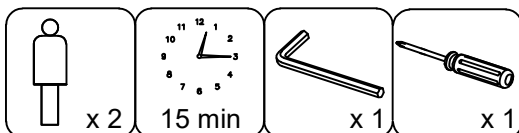
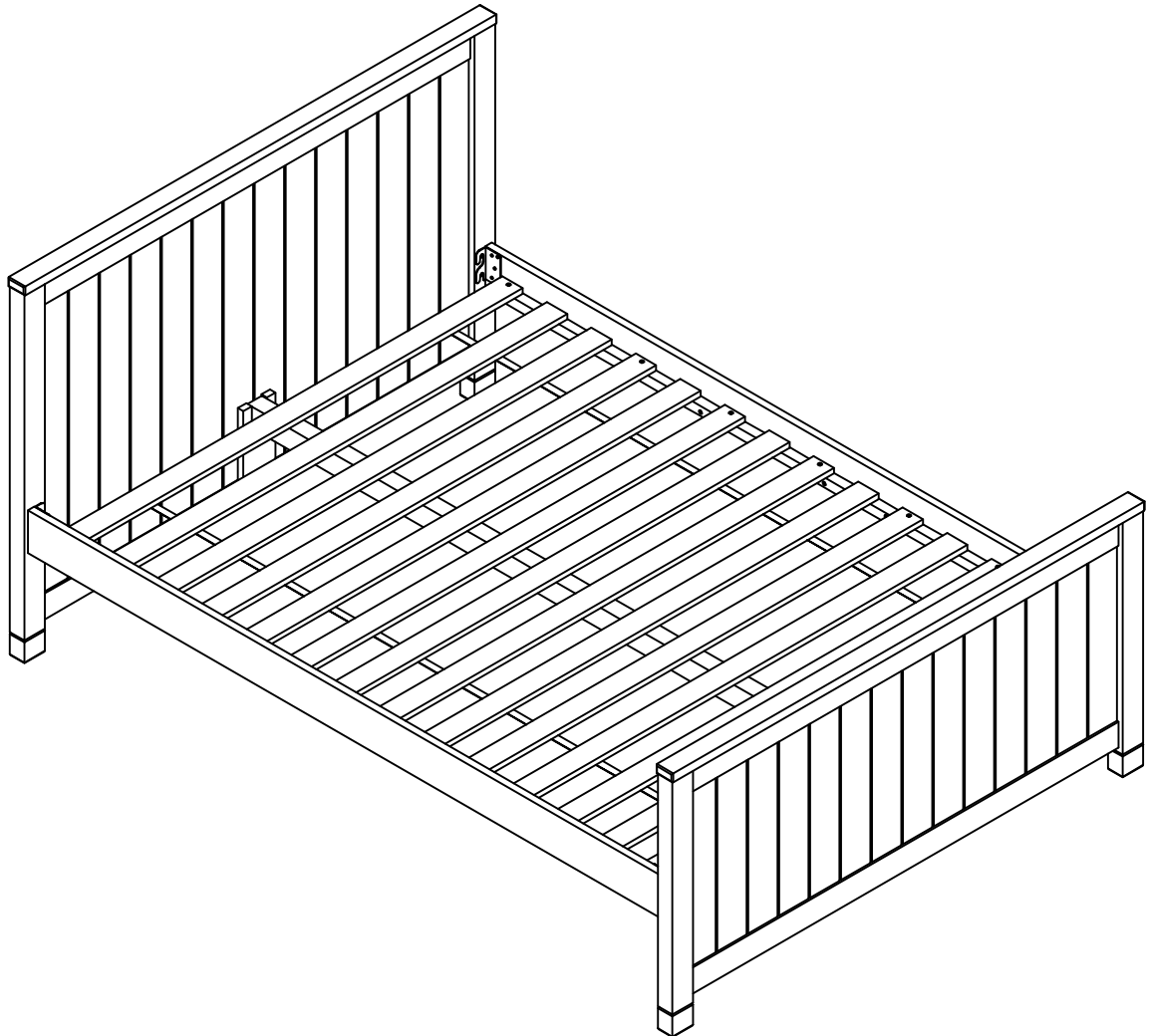


LIVING SPACES

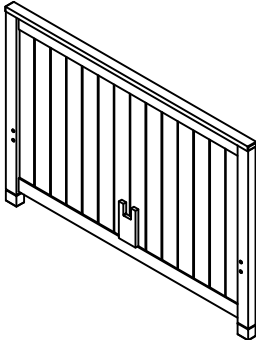
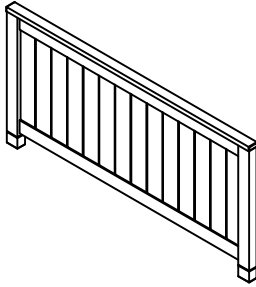
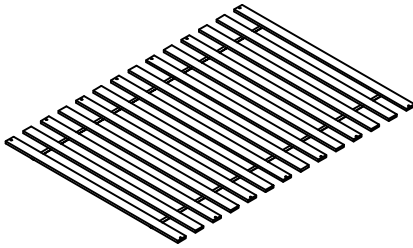
ASSEMBLY INSTRUCTIONS

LUCA FULL PANEL BED

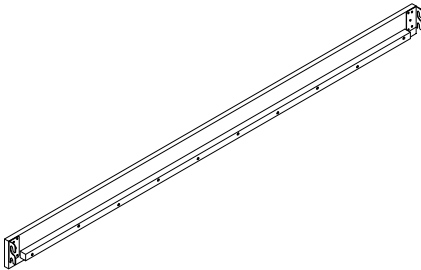
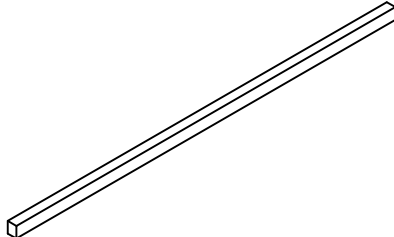
ITEM NO: Y2103W-333/334 SKU: 314657/314658
Y2103B-333/334 314569/314570
Y2103G-333/334 314613/314614






BOX 1- FL HEADBOARD/FOOTBOARD/SLATS PANEL BED

PART	SKU#	IMAGE	DESCRIPTION	QTY
<p align="center">Ⓐ</p>	<p>1994F-A-W: (White) 1994F-A-B: (Blue) 1994F-A-G: (Grey)</p>		<p align="center">Headboard</p>	<p align="center">1</p>
<p align="center">Ⓑ</p>	<p>1994F-B-W: (White) 1994F-B-B: (Blue) 1994F-B-G: (Grey)</p>		<p align="center">Footboard</p>	<p align="center">1</p>
<p align="center">Ⓔ</p>	<p align="center">1994F-E</p>		<p align="center">Slats</p>	<p align="center">1</p>

BOX 2- FL RAILS PANEL BED

PART	SKU#	IMAGE	DESCRIPTION	QTY
<p align="center">Ⓒ</p>	<p>1994F-C-W: (White) 1994F-C-B: (Blue) 1994F-C-G: (Grey)</p>		<p align="center">Rails</p>	<p align="center">2</p>
<p align="center">Ⓓ</p>	<p>1994F-D-W: (White) 1994F-D-B: (Blue) 1994F-D-G: (Grey)</p>		<p align="center">Slat support</p>	<p align="center">1</p>

Hardware List of Luca Full Panel Bed

Part	SKU#	IMAGE	DESCRIPTION	QTY
①	1994F-1(8)		Bolts M8*20mm	8
②	1994F-2(14)		Screws 8#*30mm	14
③	1994F-3(1)		Allen key 60*22*4mm	1

Note: Screwdriver will be prepared by yourself.

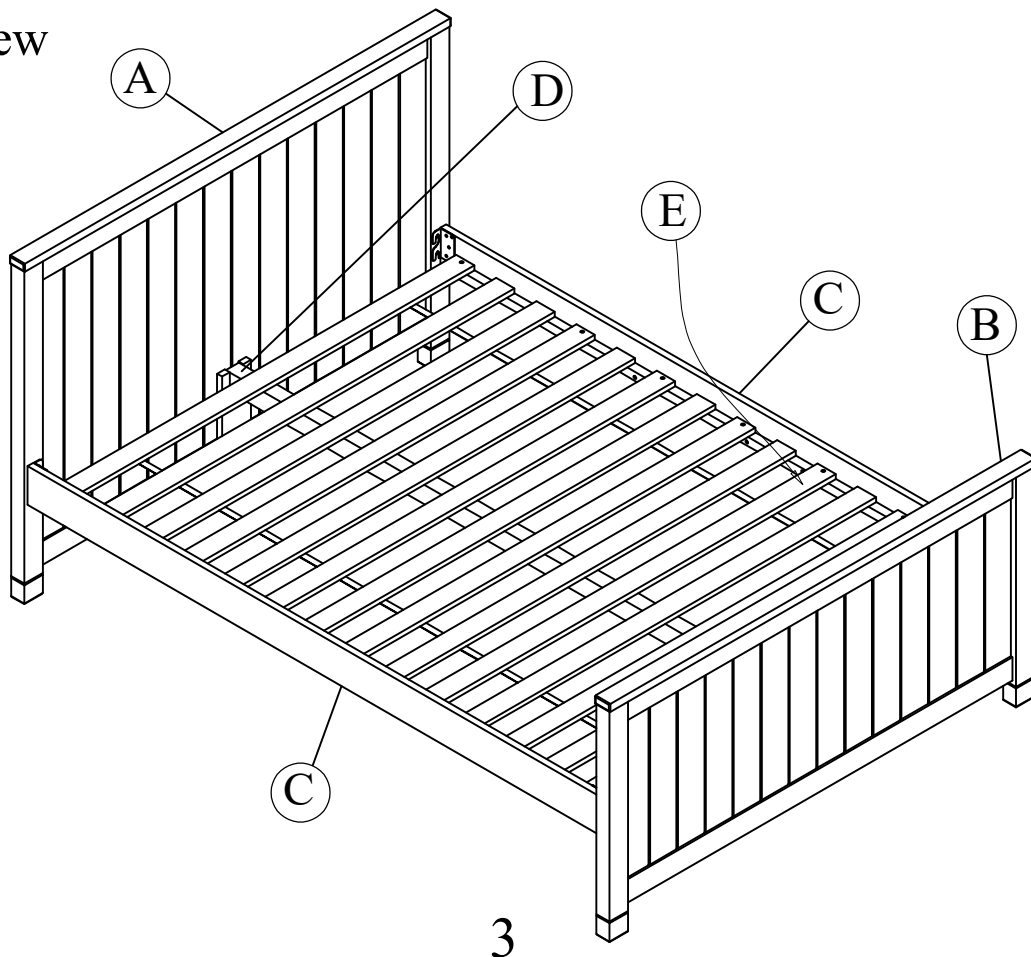
THE HARDWARE IS LOCATED IN THE PACKING ITEM

NOTE: MUST TIGHTEN SCREWS PERIODIACLLY. WITH USE SCREW MAY ENCOME LOOSE CHECK TIGHTNESS OF ALL SCREWS EVERY 6-8 WEEKS.

CLEANING INSTRUCTIONS:

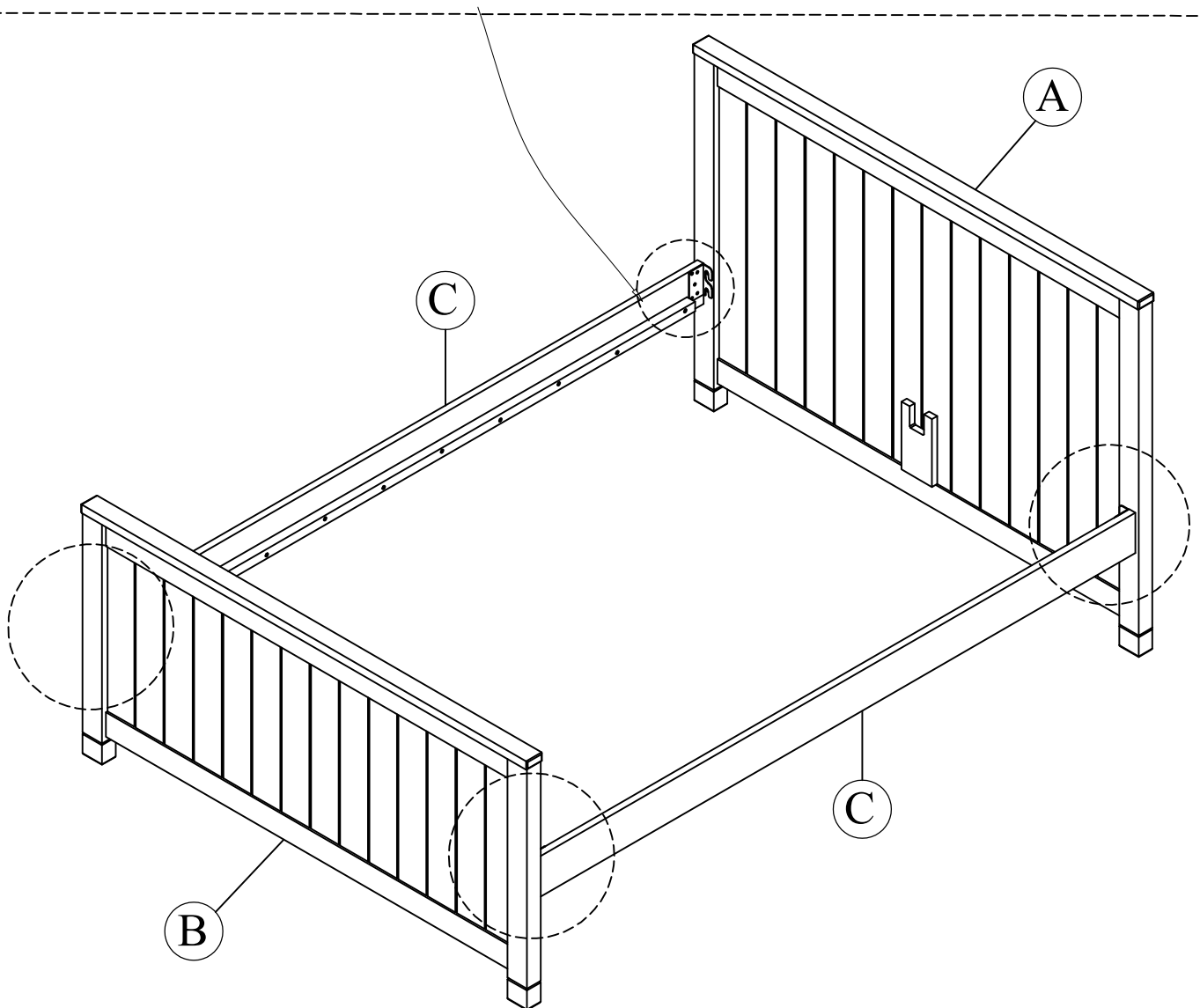
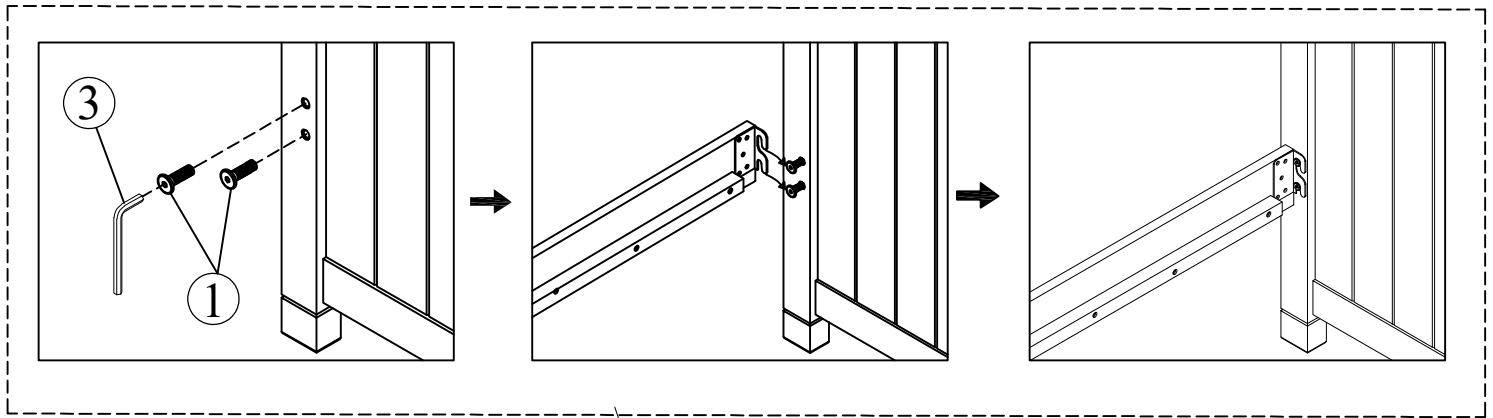
After assembly, clean and polish the completed parts if necessary with soft cloth and industrial recognized furniture polish.

Detail view



STEP 1:

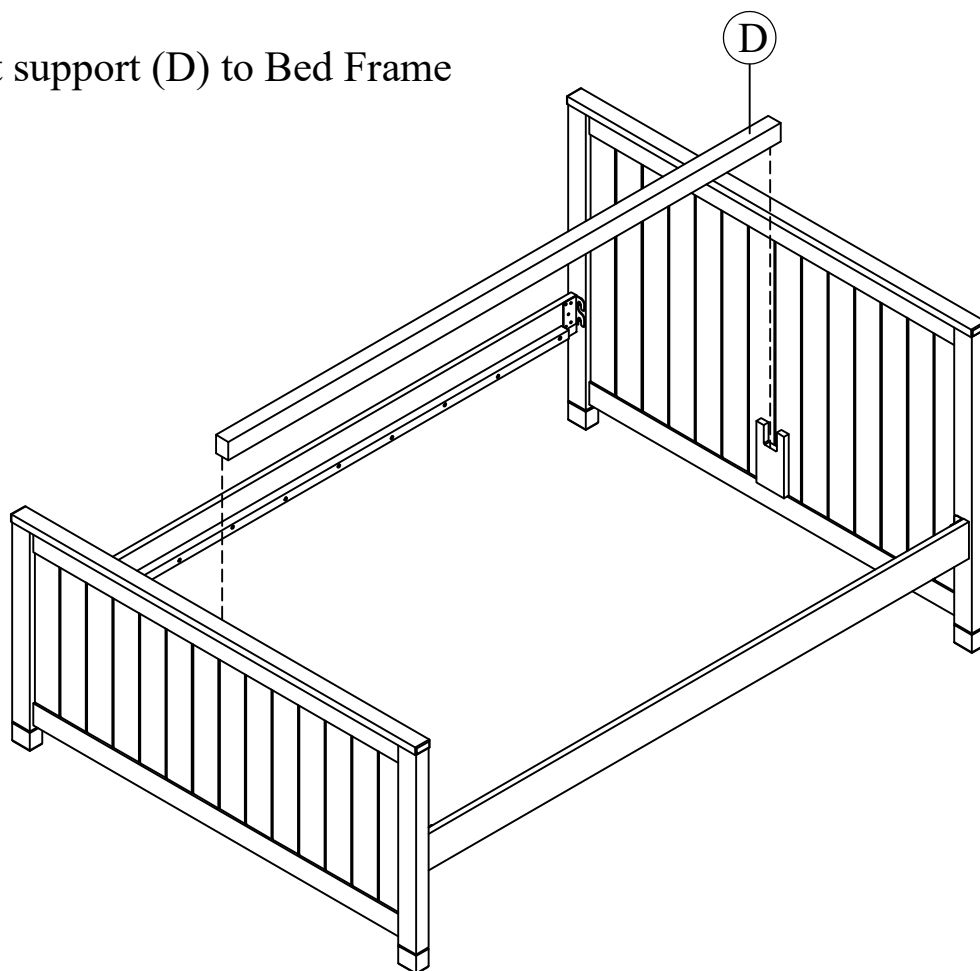
- Attaching Bolt (1) to Pre-holes on Headboard (A), Footboard (B). Please be noted that "*should not tighten*" bolts.
 - Connecting the hook on Rail (C) to Bolt (1) and fasten again.
- ⚠ **Pay attention to rail orientation.**



1=8 Pcs

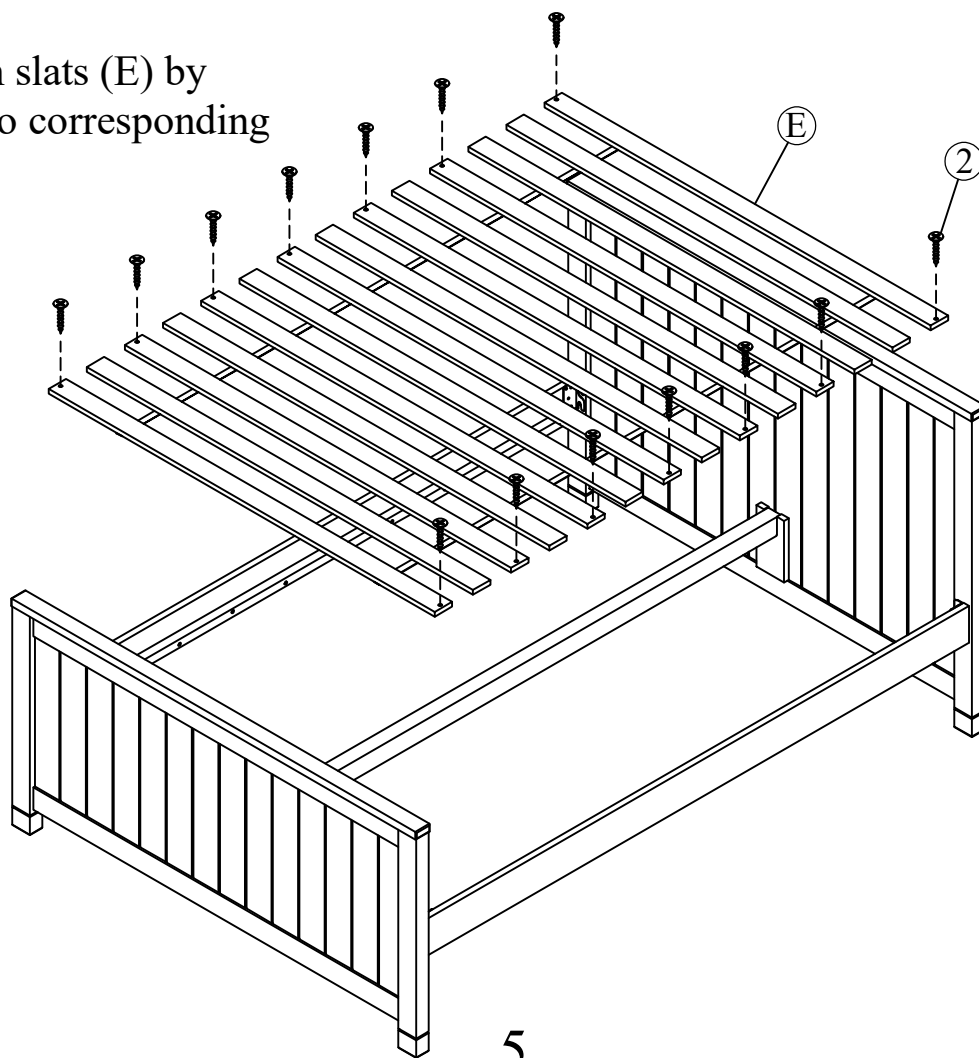
STEP 2:

Place the Slat support (D) to Bed Frame

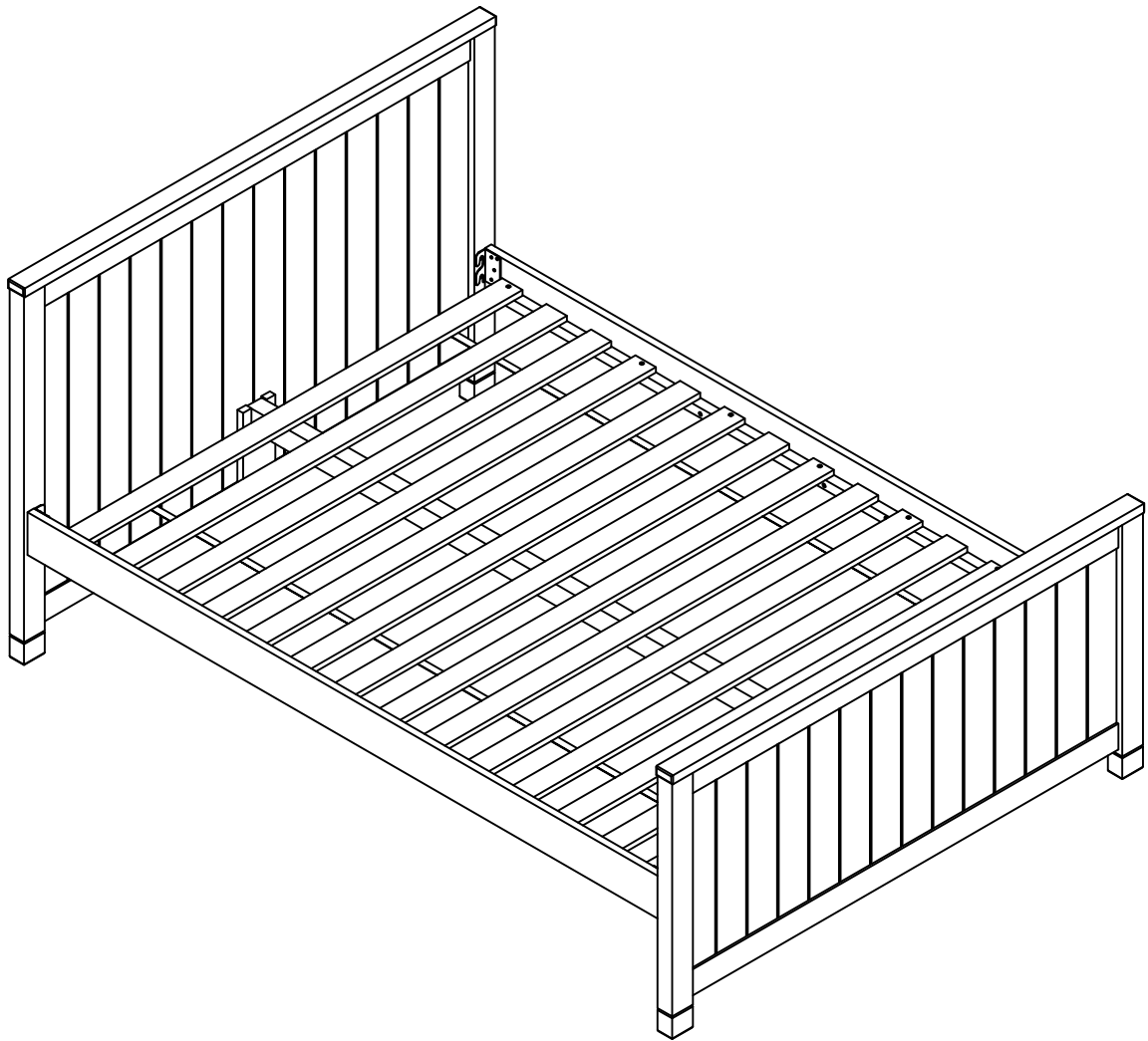


STEP 3:

Please fasten slats (E) by screw (2) into corresponding holes.



2=14 Pcs



*That's it ! You've finished
assembling your item. Thank you!*