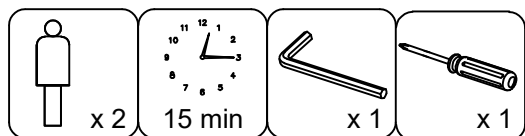
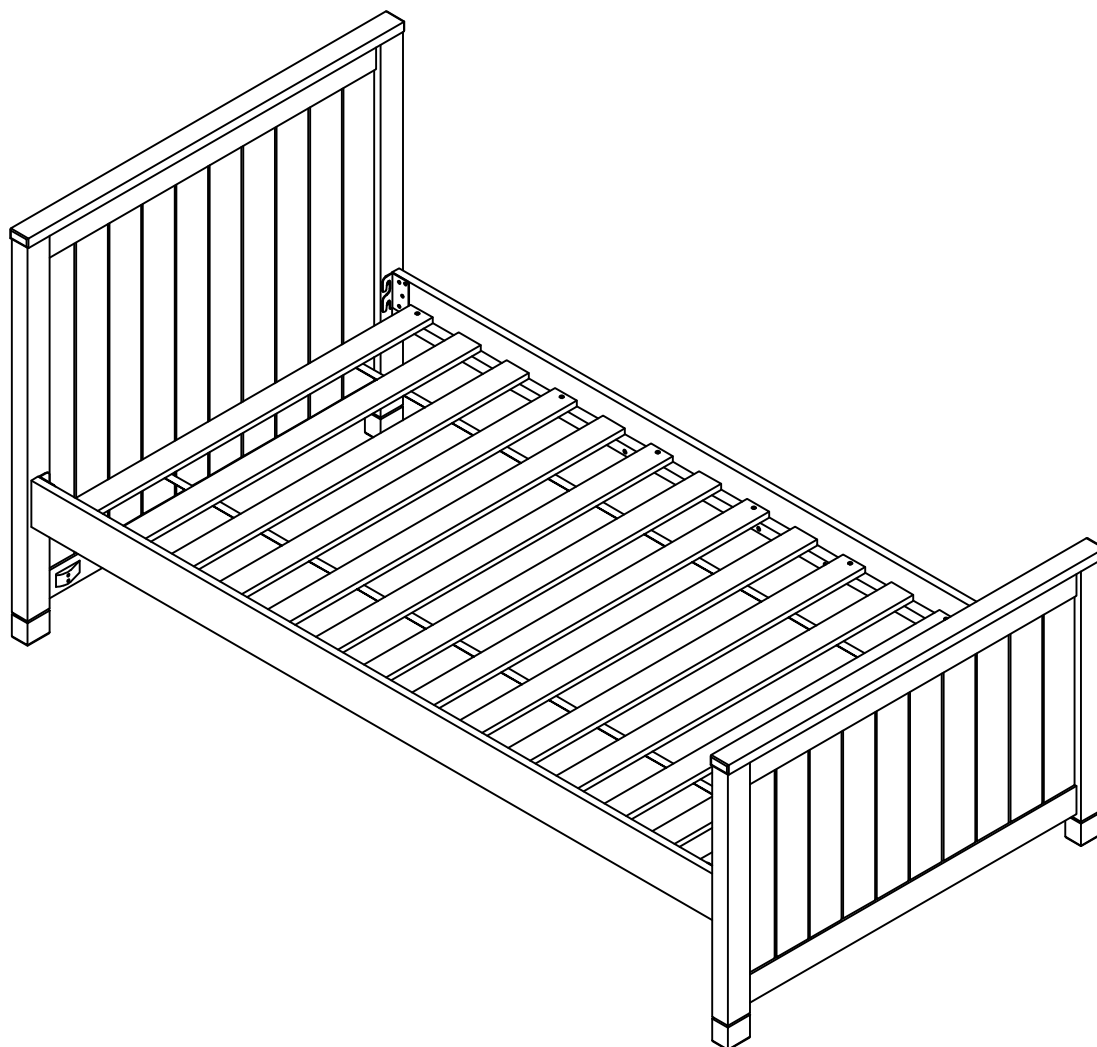




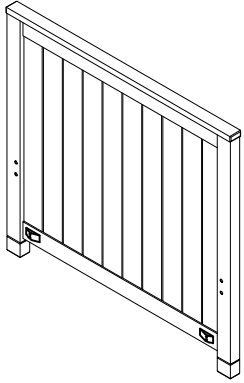
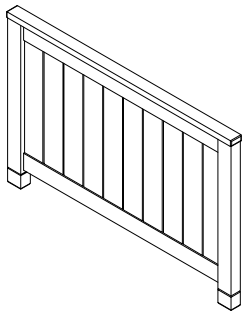
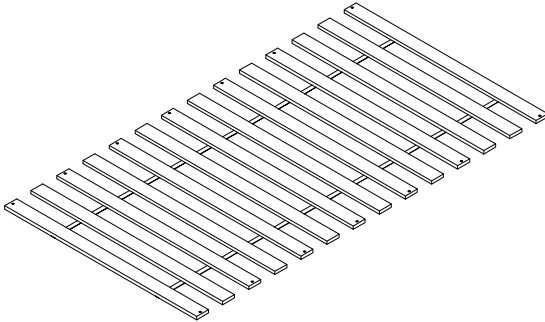
ASSEMBLY INSTRUCTIONS

LUCA TWIN PANEL BED

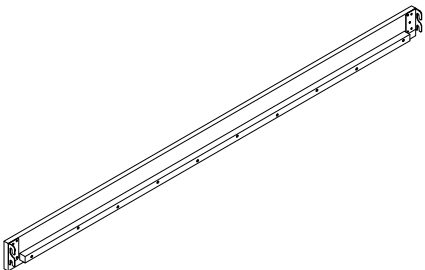
ITEM NO: Y2103W-336/337 SKU: 314659/314660
 Y2103B-336/337 314571/314572
 Y2103G-336/337 314615/314616






BOX 1- TW HEADBOARD/FOOTBOARD/SLATS PANEL BED

PART	SKU#	IMAGE	DESCRIPTION	QTY
A	1994T-A-W:(White) 1994T-A-B:(Blue) 1994T-A-G:(Grey)		Headboard	1
B	1994T-B-W: (White) 1994T-B-B: (Blue) 1994T-B-G: (Grey)		Footboard	1
D	1994T-D		Slats	1

BOX 2- TW RAILS PANEL BED

PART	SKU#	IMAGE	DESCRIPTION	QTY
C	1994T-C-W: (White) 1994T-C-B: (Blue) 1994T-C-G: (Grey)		Rails	2

Hardware List of Luca Twin Panel Bed

Part	SKU#	IMAGE	DESCRIPTION	QTY
①	1994T-1(8)		Bolts M8*20mm	8
②	1994T-2(14)		Screws 8#*30mm	14
③	1994T-3(1)		Allen key 60*22*4mm	1

Note: Screwdriver will be prepared by yourself.

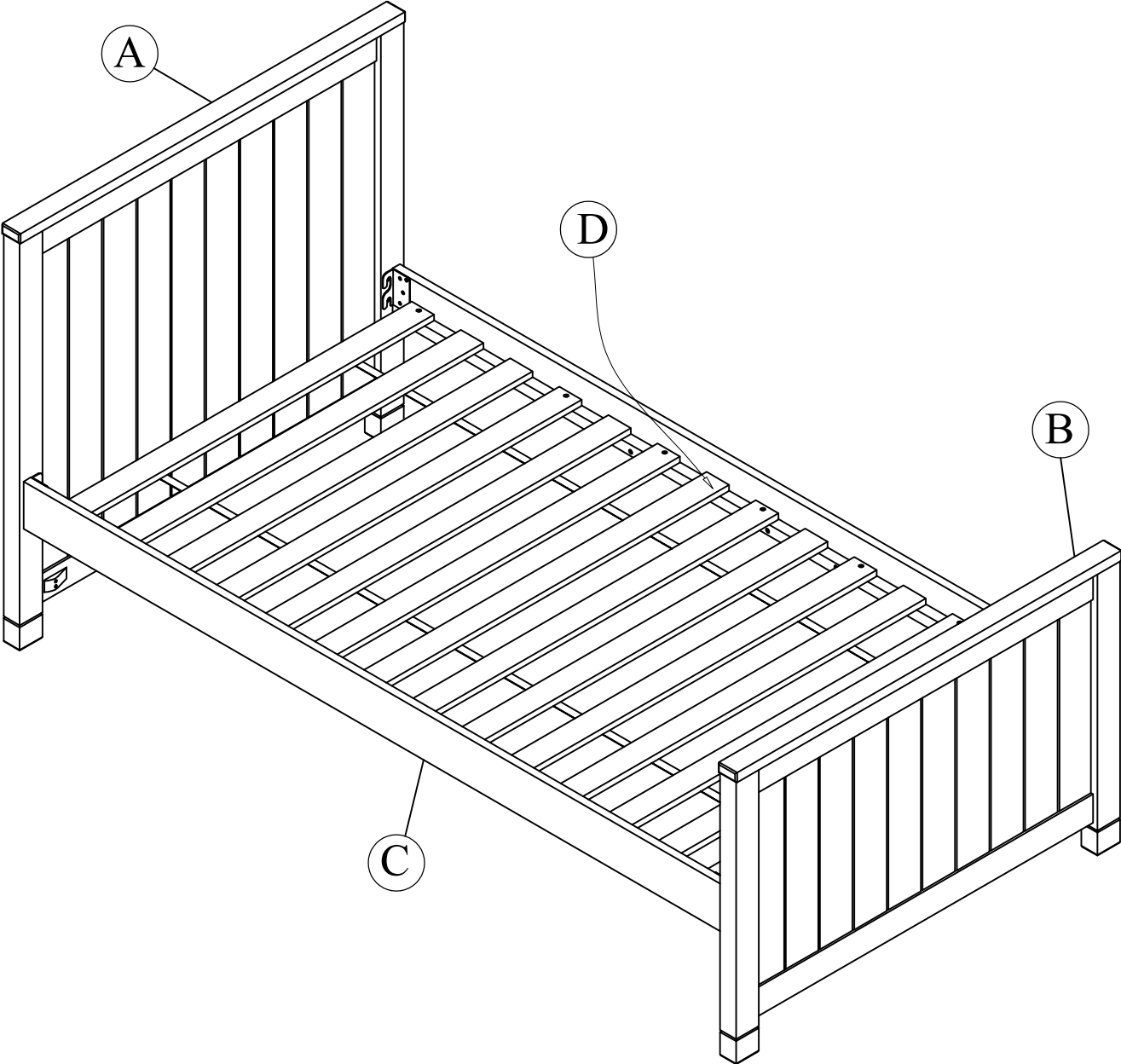
THE HARDWARE IS LOCATED IN THE PACKING ITEM

NOTE: MUST TIGHTEN SCREWS PERIODIACLLY. WITH USE SCREW MAY ENCOME LOOSE CHECK TIGHTNESS OF ALL SCREWS EVERY 6-8 WEEKS.

CLEANING INSTRUCTIONS:

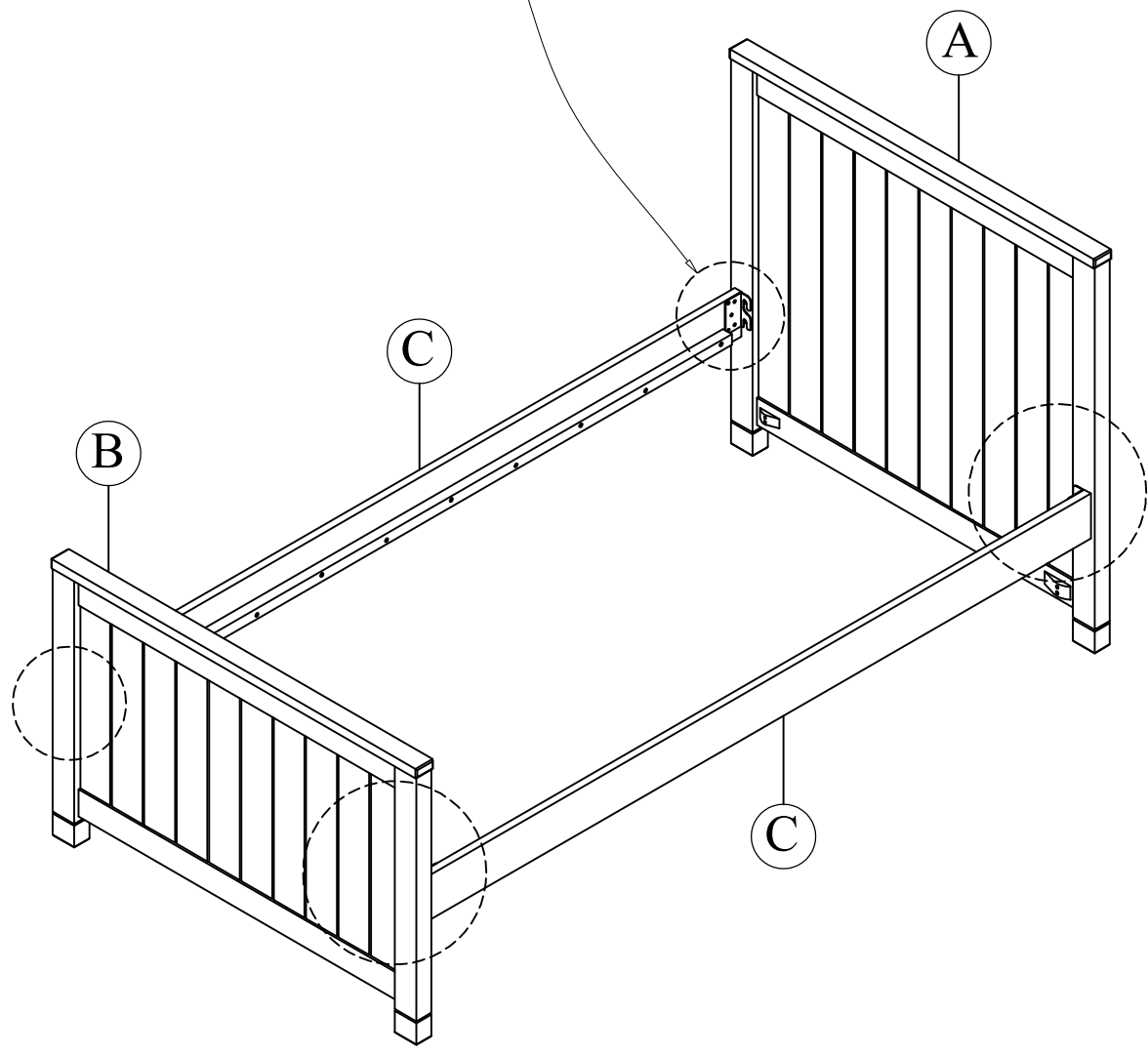
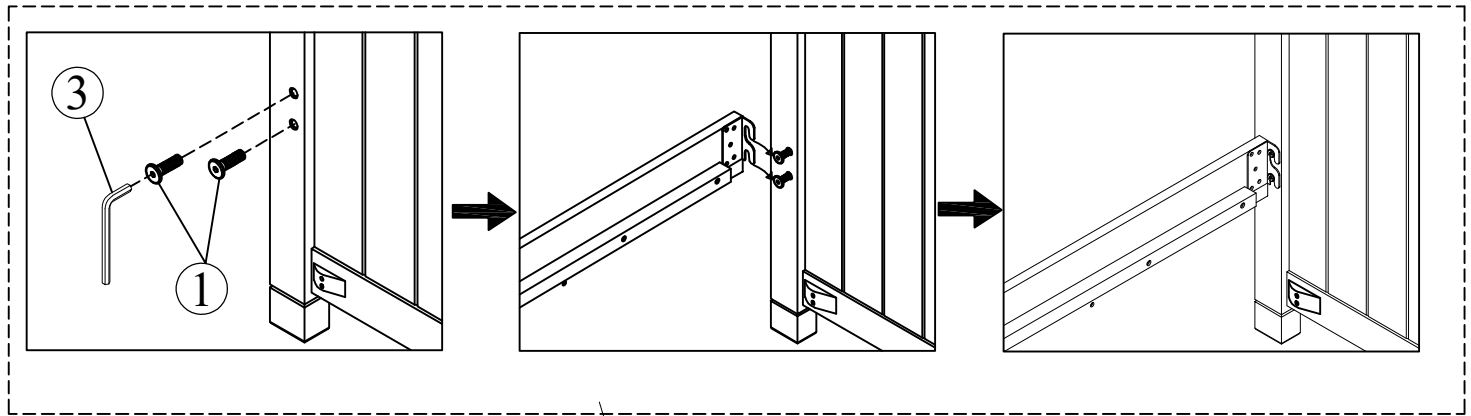
After assembly, clean and polish the completed parts if necessary with soft cloth and industrial recognized furniture polish.

Detail view



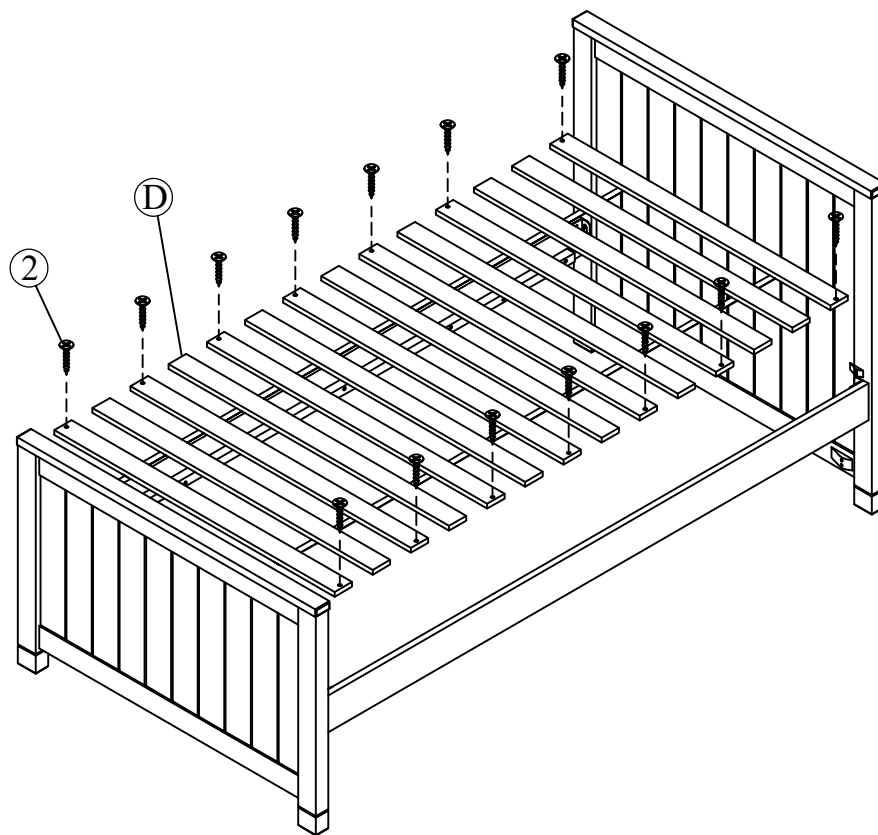
STEP 1:

- Attaching Bolt (1) to Pre-holes on Headboard (A), Footboard (B). Please be noted: **"should not tighten bolts"**
 - Connecting the hook on Rail (C) to Bolt (1) and fasten again.
- ⚠ Pay attention to rail orientation.**

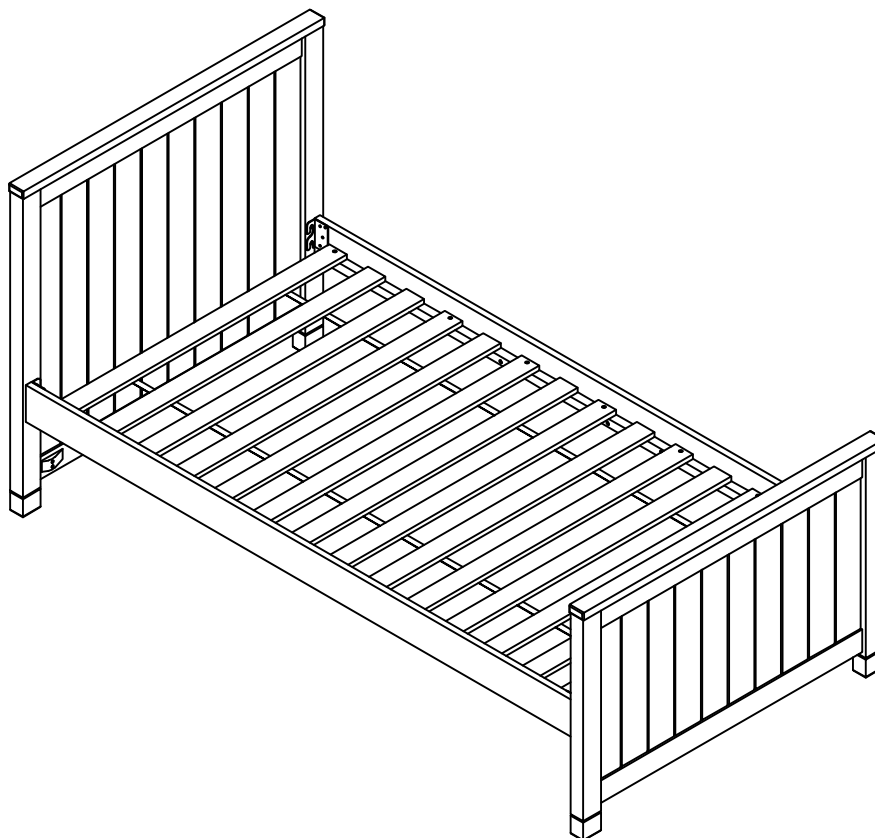


STEP 2:

Please fasten slats (D) by screw (2) into corresponding holes.



2=14 Pcs



*That's it ! You've finished
assembling your item. Thank you!*