

# LIVING SPACES

## ASSEMBLY INSTRUCTIONS

### ITEM 305-S888-530-531-401 Twin Panel Bed

Thank you for purchasing this quality product. Be sure to check all packing material carefully for small hardware which may have come loose inside the carton during shipment. Identify and count all hardware and compare with the hardware list below.

When placing furniture on non-carpeted flooring, HMI recommends the use of floor protection such as an area rug or furniture pads. Area rugs and padding not included with purchase.

PARTS LIST			
NO.	Description	Sketch	Q.ty
1	Headboard panel		1
2	Headboard Legs (Left & Right)		2
3	Footboard Panel		1
4	Side Rail		2
5	Slats		5
6	Slat Support leg		5

HARDWARE LIST			
NO.	Description	Sketch	Q.ty
A	Allen Bolt Ø5/16x 1-3/4"		6
B	Spring Washer Ø5/16"x Ø13		6
C	Flat Washer Ø5/16"x Ø19		6
D	Allen Wrench (4mm)		1
E	Wood Screw M4x35mm		10

TOOL REQUIRED (NOT PROVIDED)

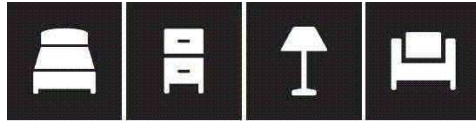
PHILLIPS SCREW DRIVER



Item: 305-S888-530-531-401  
Description: Twin Panel Bed  
Without Storage Footboard



Item: 305-S888-530-534-644-SLATR 33  
Description: Twin Panel Bed With  
Storage Footboard



# LIVING SPACES

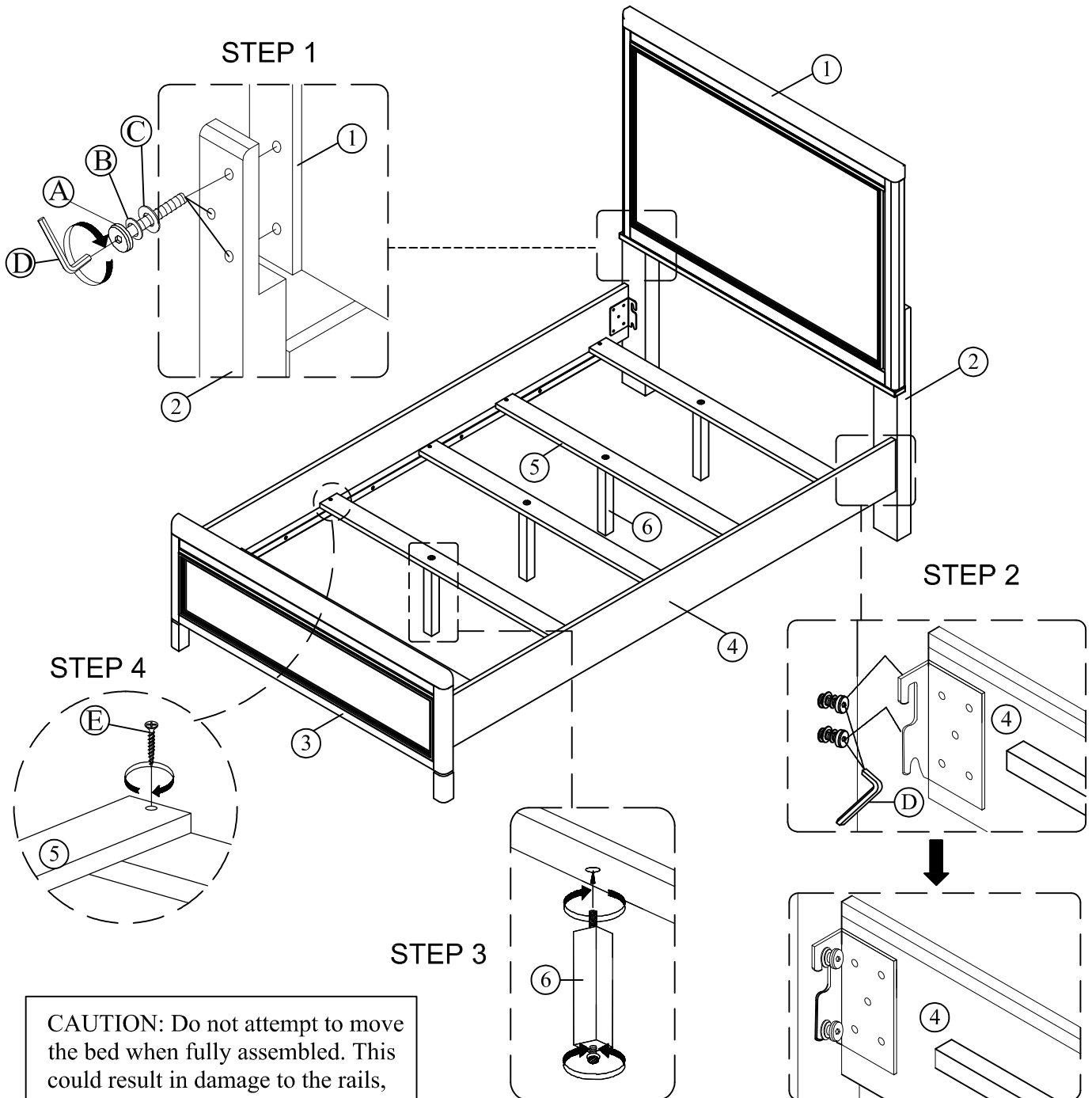
## ASSEMBLY INSTRUCTIONS

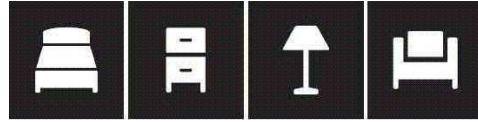
ITEM 305-S888-530-531-401

### Twin Panel Bed Without Storage Footboard

Thank you for purchasing this quality product. Be sure to check all packing material carefully for small hardware which may have come loose inside the carton during shipment. Identify and count all hardware and compare with the hardware list below.

When placing furniture on non-carpeted flooring, HMI recommends the use of floor protection such as an area rug or furniture pads. Area rugs and padding not included with purchase.





## LIVING SPACES

### ASSEMBLY INSTRUCTIONS

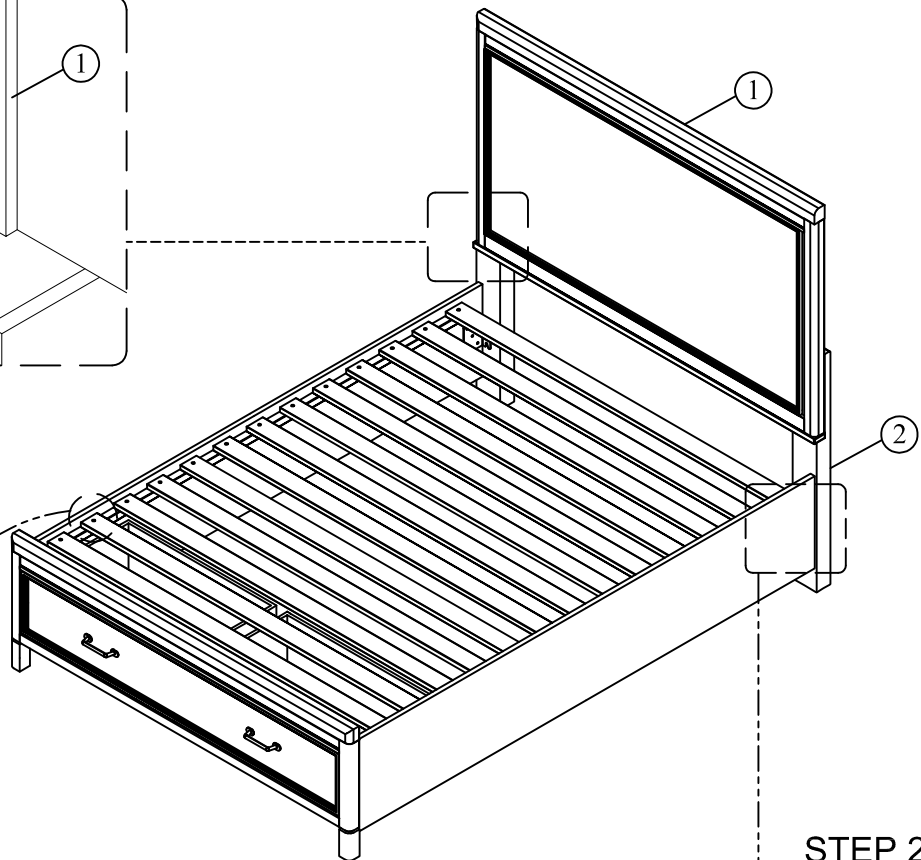
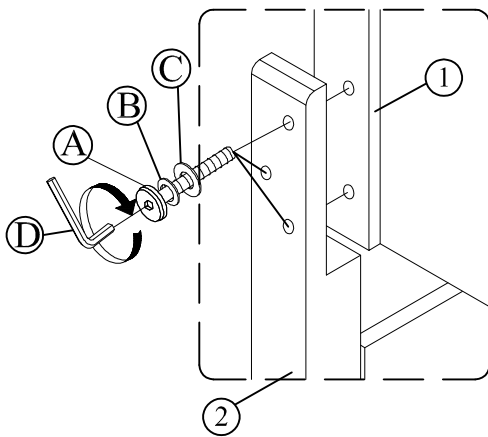
#### ITEM 305-S888-530-534-644-SLATR 33 Twin Panel Bed With Storage Footboard

Thank you for purchasing this quality product. Be sure to check all packing material carefully for small hardware which may have come loose inside the carton during shipment. Identify and count all hardware and compare with the hardware list below.

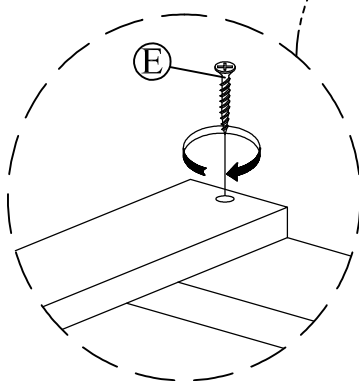
When placing furniture on non-carpeted flooring, HMI recommends the use of floor protection such as an area rug or furniture pads. Area rugs and padding not included with purchase.

#### Option 2: 305-S888-530 with 534-644-SLATR 33

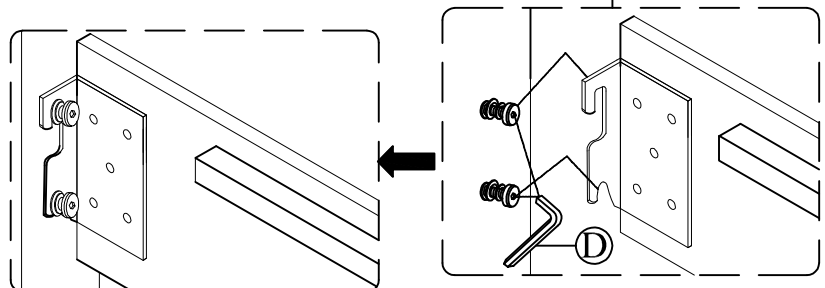
##### STEP 1



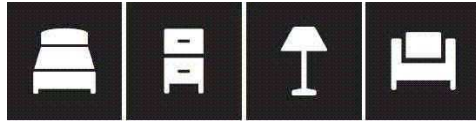
##### STEP 3



##### STEP 2



**CAUTION:** Do not attempt to move the bed when fully assembled. This could result in damage to the rails, headboard, or footboard.

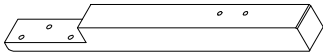


## LIVING SPACES

### REPLACEMENT PARTS

ITEM 305-S888-530-531-401

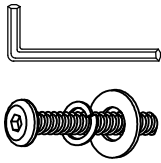
## Twin Panel Bed



x1 RS888-530-LEGL  
Left Leg



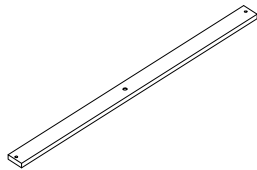
x1 RS888-530-LEGR  
Right Leg



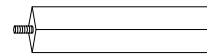
x1 RS888-530-HWKIT  
Hardware kit



x10 RS888-531-SCREW  
Screw



x5 RS808-531- SLAT  
Slat



x5 RS888-531- SULEG  
Slat Support Leg