



ASSEMBLY INSTRUCTIONS

ITEM NO: 305-S888-733/735/736/737/738/452/SLATR-33

DESCRIPTION: Loft Bed With Single Chest/ Bookcase/ Desk/ Chair

Replacement Parts

Replacement parts, including additional guardrails, may be obtained from Living Spaces stores.

Keep all instruction sheets for future reference to assemble bed for moving and/or different set up.

Size of Mattress

This bed is designed to use a twin mattress 37.5" to 38.5" Wide x 74" to 75" Long with the total thickness not exceeding 8" for upper bunk. Do not use mattress without the proper slat system and proper attachments described in the instructions. NOTE: there must be at least 5 inches from the top surface of the mattress to top edge of guardrail.

SAFETY WARNING !

1. Follow the information on the warning appearing on the upper bunk end structure and on the carton. Do not remove warning label from bed.
2. Always use the recommended size mattress or mattress support, or both, to help prevent the likelihood of entrapment or falls.
3. Surface of mattress must be at least 5 inches below the upper edge of the guardrails.
4. Do not allow children under 6 years of age to use the upper bunk.
5. Prohibit more than one person on upper bunk.
6. Periodically check and ensure that the guardrail, ladder, and other components are in their proper position, free from damage, and that all connectors are tight.
7. Do not allow horseplay on or under the bed and prohibit jumping on the bed.
8. Always use the ladder for entering and leaving the upper bunk.
9. Do not use any substitute parts. Contact manufacturer or dealer for replacement parts.
10. Use of a night light may provide added safety precaution for a child using the upper bunk.
11. If the bunk bed will be placed next to a wall, the guardrail that runs the full length of the bed should be placed against the wall to prevent entrapment between the bed and the wall.
12. Always use guardrails on both long sides of the upper bunk.
13. The use of water or sleep flotation mattress is prohibited.
14. Keep these instructions for future reference.
15. Strangulation Hazard- Never attach or hang items to any part of the bunk bed that are not designed for use with the bed: for example, but not limited to, hooks, belts, and jump ropes.



PARTS LIST

ITEM NO: 305-S888-733/735/736/737/738/452/SLATR-33

DESCRIPTION: Loft Bed With Single Chest/ Bookcase/ Desk/ Chair

Thank you for purchasing this quality product. Be sure to check all packing material carefully for small hardware which may have come loose inside the carton during shipment. Identify and count all hardware and compare with the hardware list below.

When placing furniture on non-carpeted flooring, HMI recommends the use of floor protection such as an area rug or furniture pads. Area rugs and padding not included with purchase.

HARDWARE LIST (For 305-S888-735 Loft Bed)				
No.	Drawing	Descriptions	Size	Qty.
1		Bolt	5/16 x 3-15/16"	16 PCS
2		Barrel Nut	Ø5/16"	16 PCS
3		Bolt	Ø5/16" x 1-3/4"	6 PCS
4		Allen Key	M4	1 PC
5		Screw	M4 x 15mm	14 PCS
6		Metal Plate	120 x 25 x 3mm	3 PCS
7		Bolt	Ø1/4" x 1"	2 PCS
8		D-nut	Ø1/4" x 13/16"	2 PCS
9		Bolt	Ø5/16" x 9/16"	2 PCS

HARDWARE LIST (For SLATR-33)				
No.	Drawing	Descriptions	Size	Qty.
10		Screw	M4 x 35mm	26 PCS

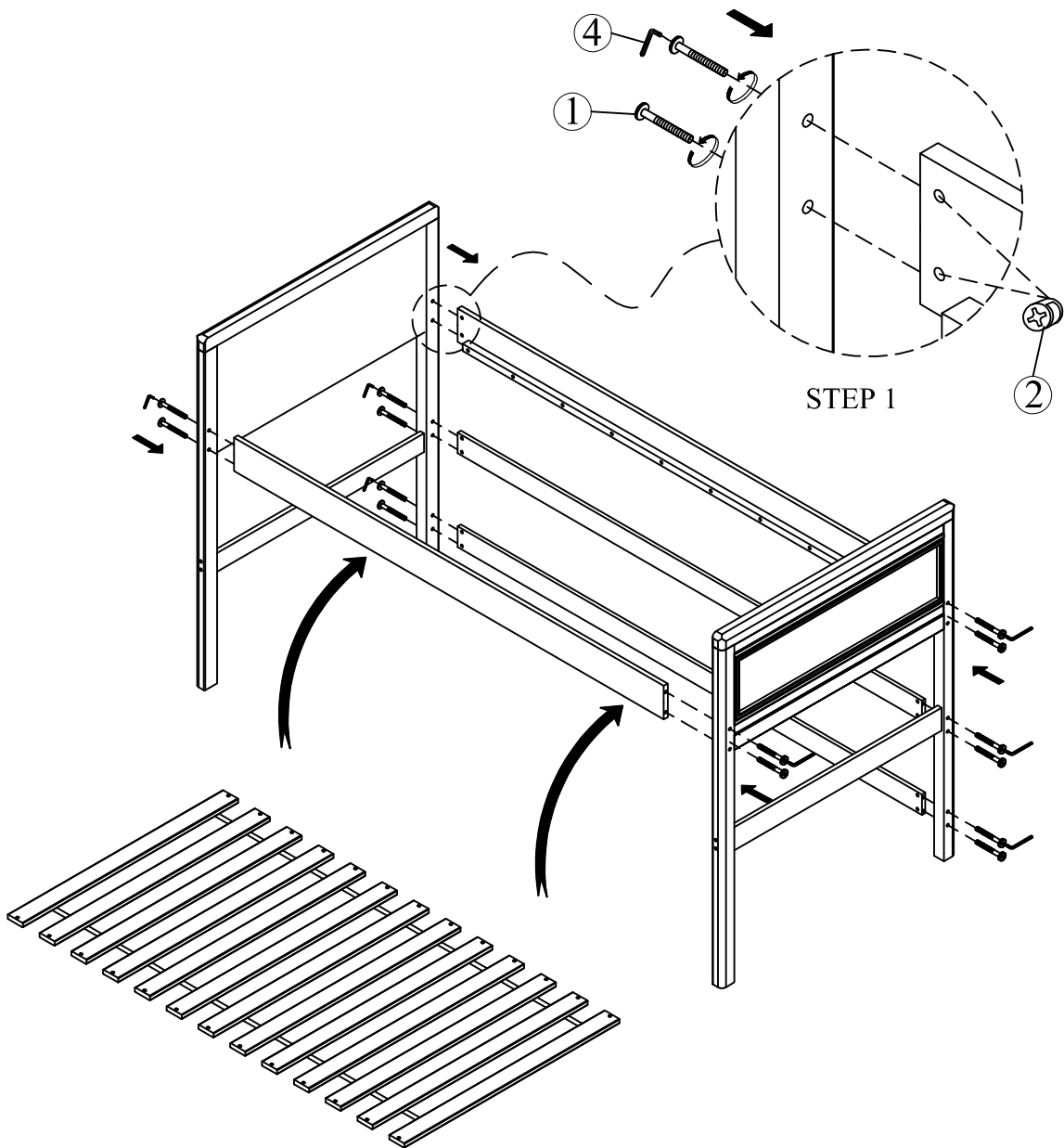
TOOL REQUIRED (NOT PROVIDED)	
	PHILLIPS SCREW DRIVER

Descriptions		
Drawing	Descriptions	Qty.
	Loft Bed End Left (305-S888-735)	1 PC
	Loft Bed End Right (305-S888-735)	1 PC
	SLATR-33	1 SET
	Long Guard Rail (305-S888-736)	1 PC
	Short Guard Rail (305-S888-736)	1 PC
	Bed Side Rails (305-S888-736)	2 PCS
	Stretcher (305-S888-736)	2 PCS
	Loft Single Chest (305-S888-738)	1 PC
	Loft Bookcase (305-S888-733)	1 PC
	Loft Desk (305-S888-737)	1 PC
	Loft Chair (305-S888-452)	1 PC
	Ladder (305-S888-736)	1 PC



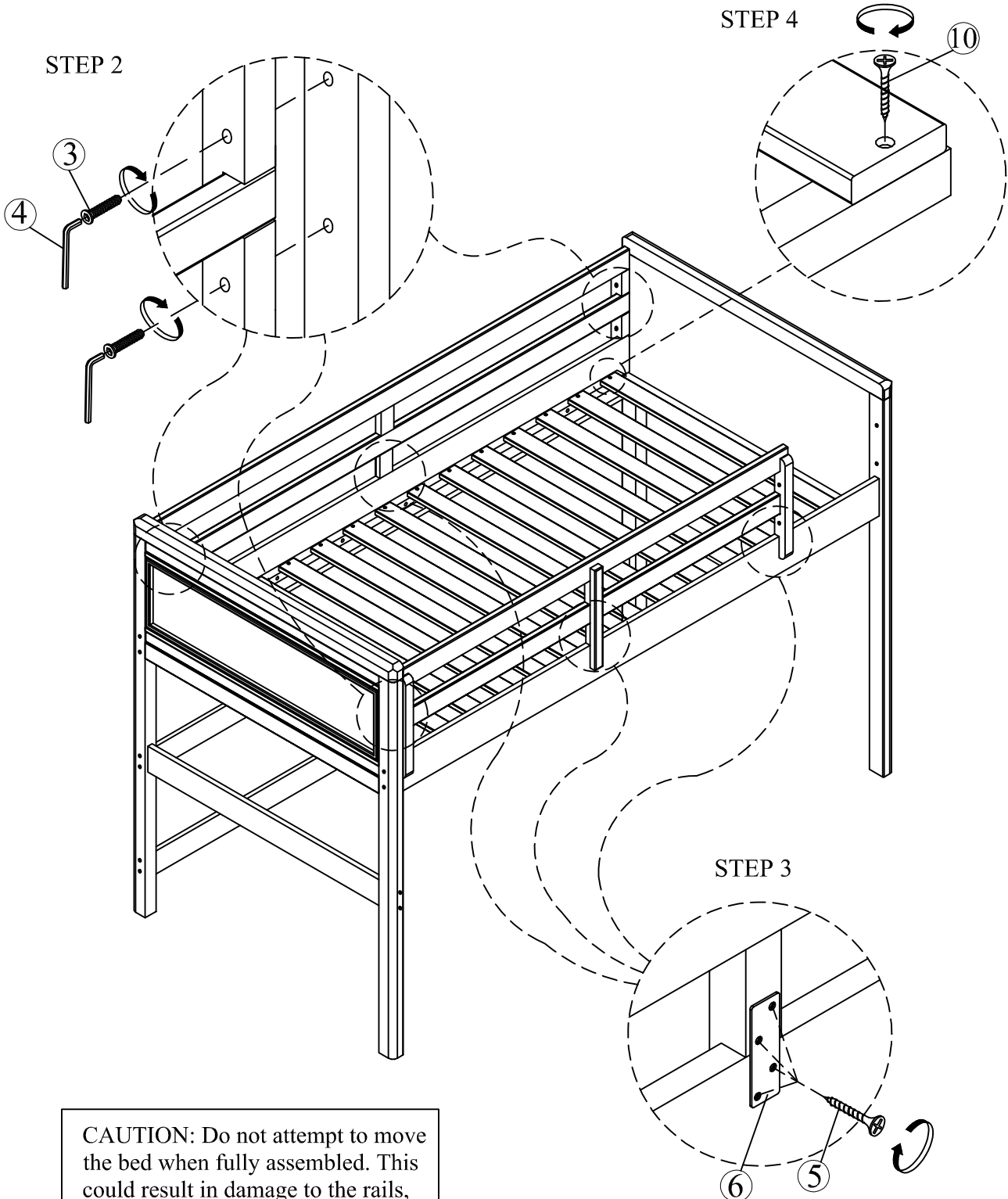
ASSEMBLY INSTRUCTIONS
ITEM NO: 305-S888-735/736/SLATR-33
DESCRIPTION: Loft Bed

CAUTION: Do not attempt to move the bed when fully assembled. This could result in damage to the rails, headboard, or footboard.





ASSEMBLY INSTRUCTIONS
 ITEM NO: 305-S888-735/736/SLATR-33
 DESCRIPTION: Loft Bed

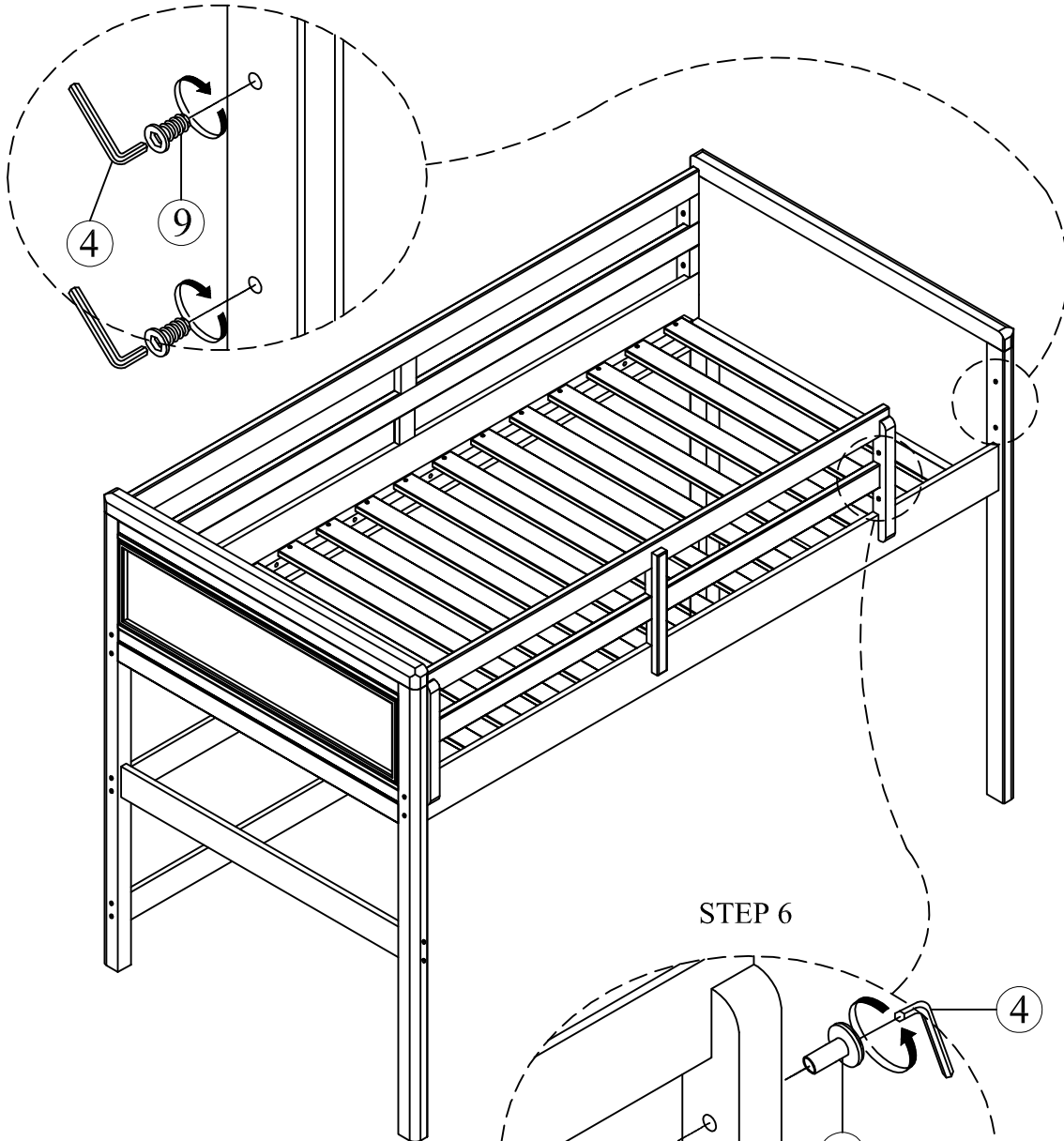


CAUTION: Do not attempt to move the bed when fully assembled. This could result in damage to the rails, headboard, or footboard.

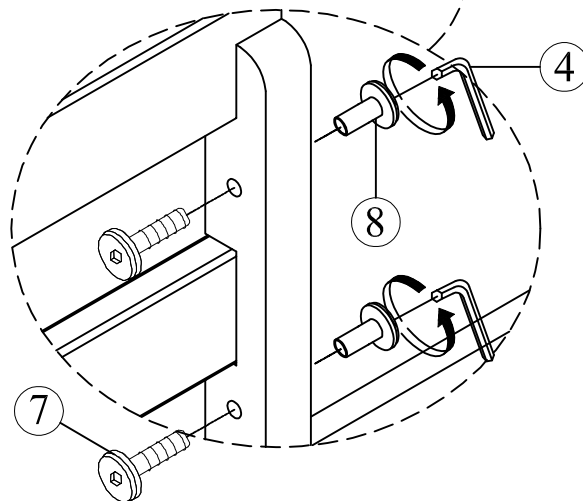


ASSEMBLY INSTRUCTIONS
ITEM NO: 305-S888-735/736/SLATR-33
DESCRIPTION: Loft Bed

STEP 5



STEP 6

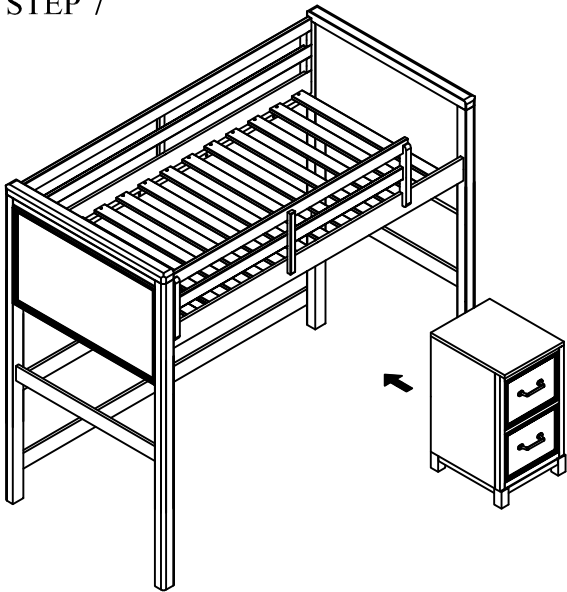


CAUTION: Do not attempt to move the bed when fully assembled. This could result in damage to the rails, headboard, or footboard.

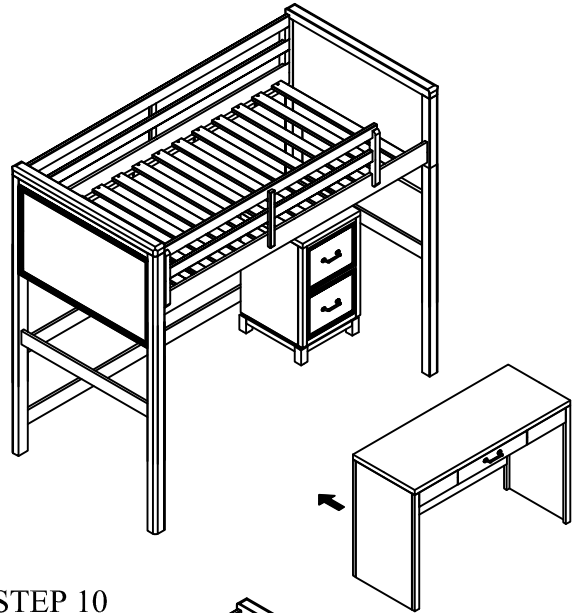


ASSEMBLY INSTRUCTIONS
 ITEM NO: 305-S888-733/735/736/737/738/452/SLATR-33
 DESCRIPTION: Loft Bed With Single Chest/ Bookcase/ Desk/ Chair

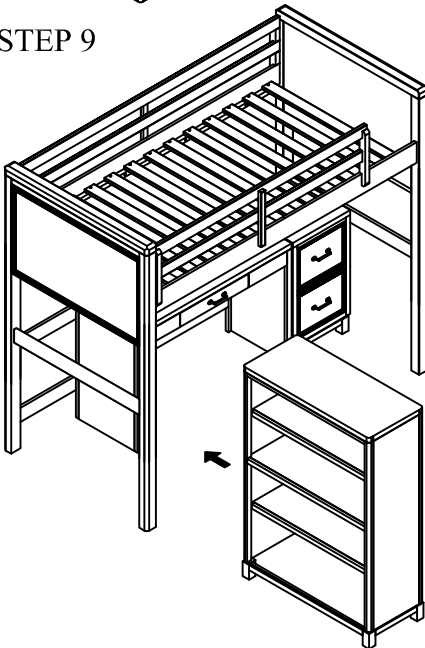
STEP 7



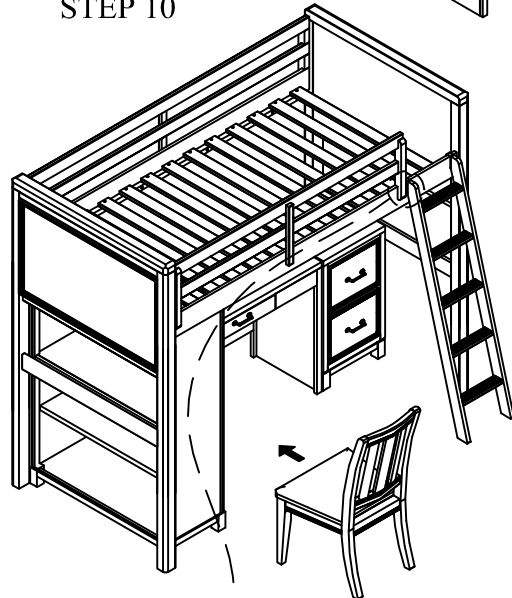
STEP 8



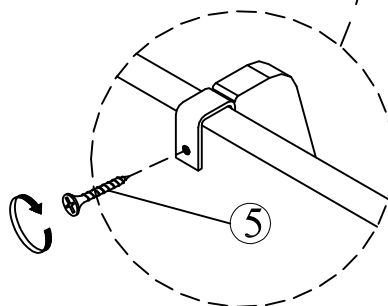
STEP 9



STEP 10



STEP 11



CAUTION: Do not attempt to move the bed when fully assembled. This could result in damage to the rails, headboard, or footboard.

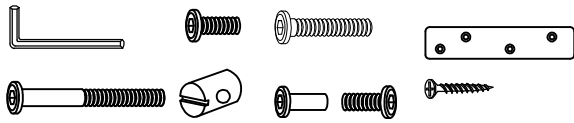


LIVING SPACES

REPLACEMENT PARTS

ITEM NO: 305-S888-733/735/736/737/738/452/SLATR-33

DESCRIPTION: Loft Bed With Single Chest/ Bookcase/ Desk/ Chair



x1 RS888-735-HWKIT
Hardware kit