



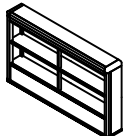


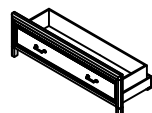

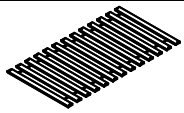
LIVING SPACES

ASSEMBLY INSTRUCTIONS

ITEM 305-S888-630-534-644-SLATR 33 Twin Bookcase Bed

Thank you for purchasing this quality product. Be sure to check all packing material carefully for small hardware which may have come loose inside the carton during shipment. Identify and count all hardware and compare with the hardware list below.

When placing furniture on non-carpeted flooring, HMI recommends the use of floor protection such as an area rug or furniture pads. Area rugs and padding not included with purchase.

PARTS LIST			
NO.	Description	Sketch	Q.ty
1	Bookcase HB		1
2	Headboard Legs (Left & Right)		2
3	Stretcher		1
4	Storage FB		1
5	Side Rail		2
6	SLATR-33		1

HARDWARE LIST			
NO.	Description	Sketch	Q.ty
A	Allen Bolt Ø5/16x1-3/8"		8
B	Spring Washer Ø5/16"x Ø13		8
C	Flat Washer Ø5/16"x Ø19		8
D	Allen Wrench (4mm)		1
E	Wood Screw M4x35mm		26

TOOL REQUIRED (NOT PROVIDED)

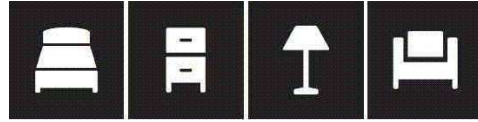
 PHILLIPS SCREW DRIVER



Item: 305-S888-630-534-644-SLATR 33
Description: Twin Bookcase Bed With
Storage Footboard



Item: 305-S888-630-531-401
Description: Twin Bookcase Bed
Without Storage Footboard



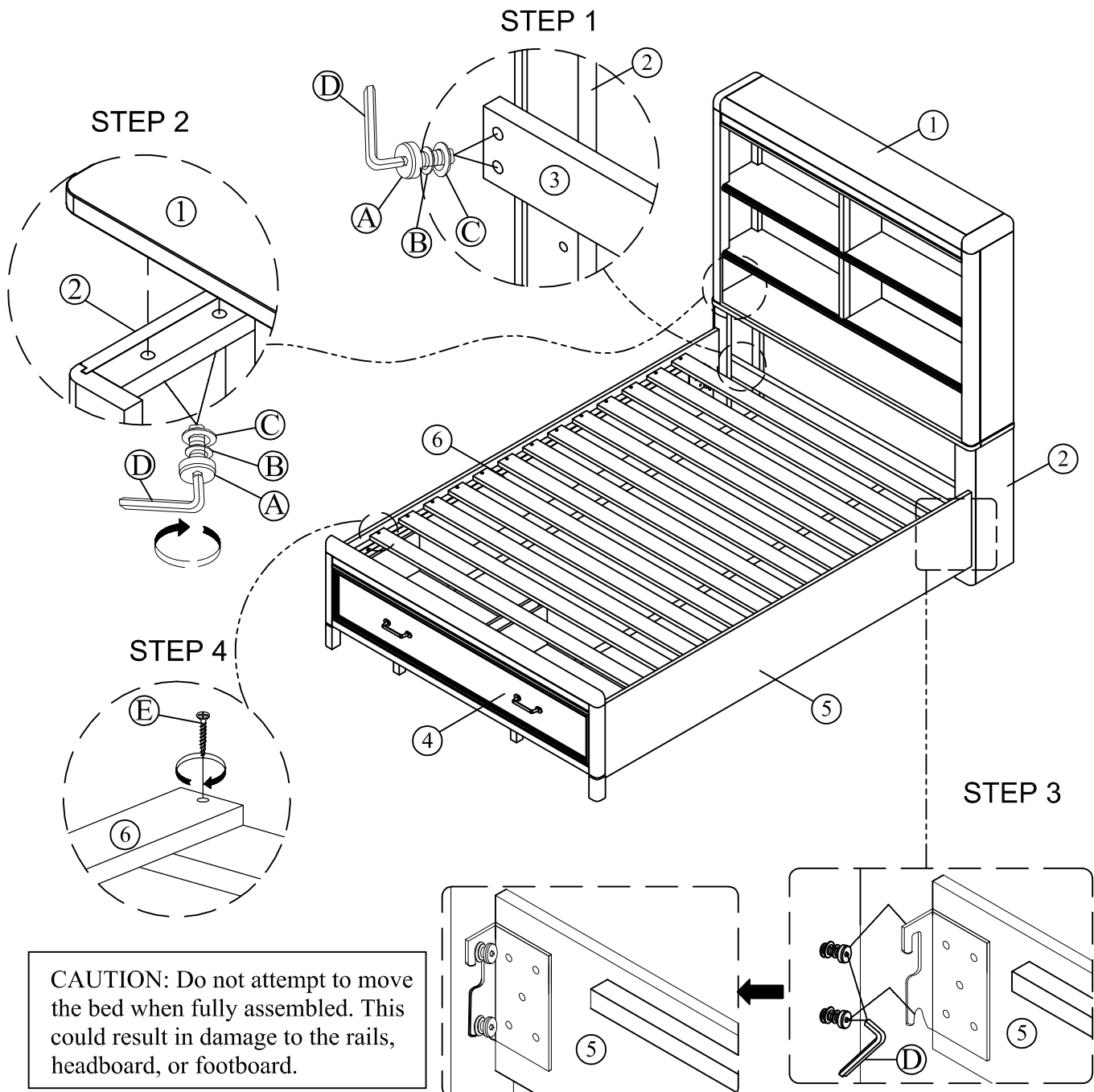
LIVING SPACES

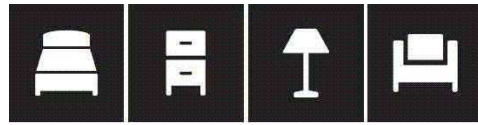
ASSEMBLY INSTRUCTIONS

ITEM 305-S888-630-534-644-SLATR 33 Twin Bookcase Bed With Storage Footboard

Thank you for purchasing this quality product. Be sure to check all packing material carefully for small hardware which may have come loose inside the carton during shipment. Identify and count all hardware and compare with the hardware list below.

When placing furniture on non-carpeted flooring, HMI recommends the use of floor protection such as an area rug or furniture pads. Area rugs and padding not included with purchase.





LIVING SPACES

ASSEMBLY INSTRUCTIONS

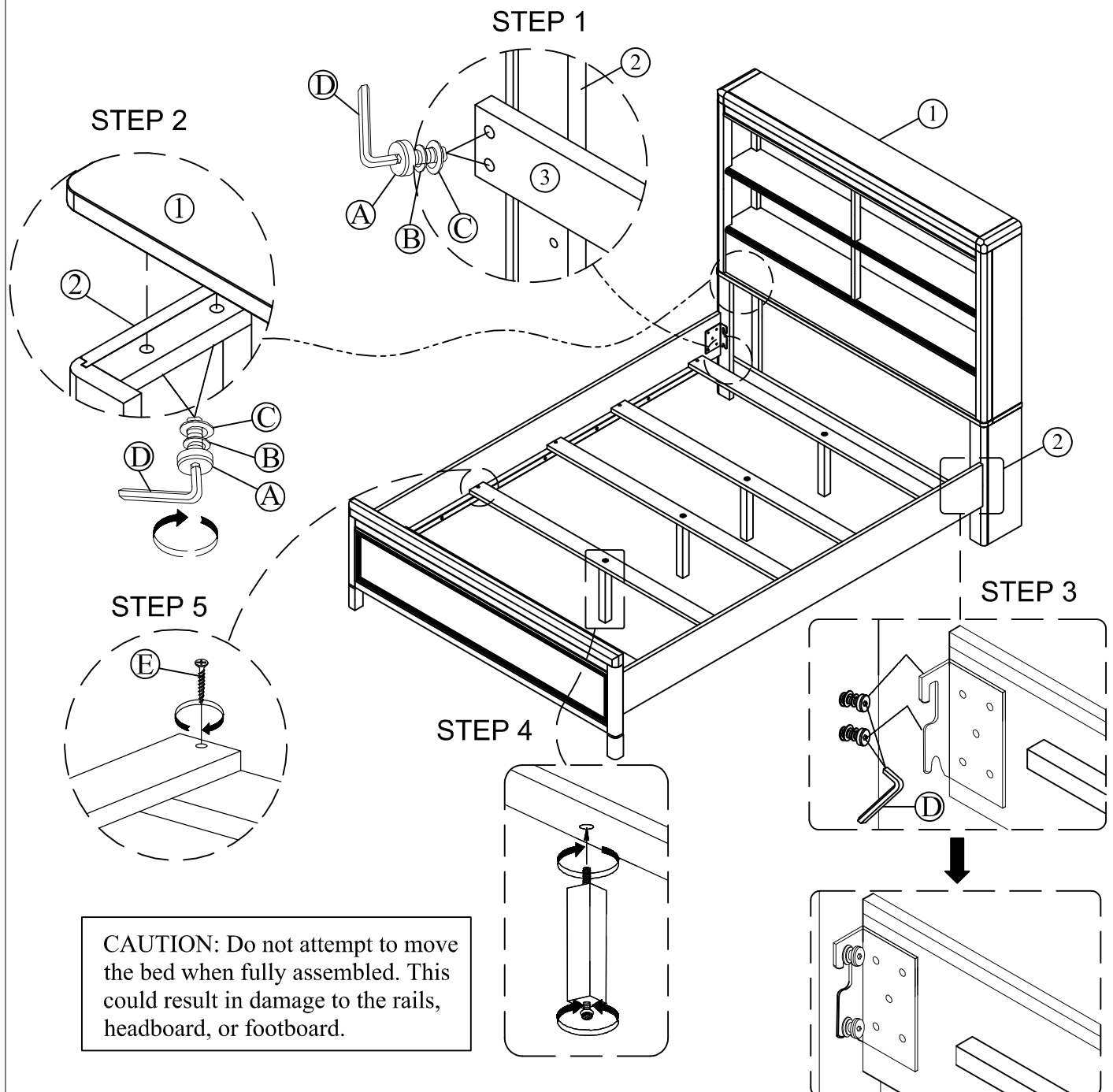
ITEM 305-S888-630-531-401

Twin Bookcase Bed Without Storage Footboard

Thank you for purchasing this quality product. Be sure to check all packing material carefully for small hardware which may have come loose inside the carton during shipment. Identify and count all hardware and compare with the hardware list below.

When placing furniture on non-carpeted flooring, HMI recommends the use of floor protection such as an area rug or furniture pads. Area rugs and padding not included with purchase.

Option 2: 305-S888-630 with 531-401





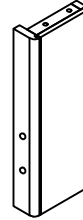
LIVING SPACES

REPLACEMENT PARTS

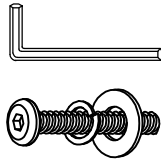
ITEM 305-S888-630-534-644-SLATR 33 Twin Bookcase Bed



x1 RS888-630-LEGL
Left Leg



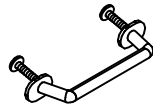
x1 RS888-630-LEGR
Right Leg



x1 RS888-630-HWKIT
Hardware kit



x26 RS888-531-SCREW
Screw



x2 RS888-010-PULL
Pull with Screw



x1 COMGLIDE-14-45
Glide 14in-45mm