

LIVING SPACES

ASSEMBLY INSTRUCTIONS

ITEM 305-S888-632-536-644-SLATR 46 Full Bookcase Bed

Thank you for purchasing this quality product. Be sure to check all packing material carefully for small hardware which may have come loose inside the carton during shipment. Identify and count all hardware and compare with the hardware list below.

When placing furniture on non-carpeted flooring, HMI recommends the use of floor protection such as an area rug or furniture pads. Area rugs and padding not included with purchase.

PARTS LIST

NO.	Description	Sketch	Q.ty
1	Bookcase HB		1
2	Headboard Legs (Left & Right)		2
3	Stretcher		1
4	Storage FB		1
5	Side Rail		2
6	SLATR-46		1

HARDWARE LIST

NO.	Description	Sketch	Q.ty
A	Allen Bolt Ø5/16x1-3/8"		8
B	Spring Washer Ø5/16"x Ø13		8
C	Flat Washer Ø5/16"x Ø19		8
D	Allen Wrench (4mm)		1
E	Wood Screw M4x35mm		26

TOOL REQUIRED (NOT PROVIDED)

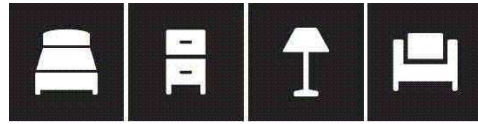
PHILLIPS SCREW DRIVER



Item: 305-S888-632-536-644-SLATR 46
Description: Full Bookcase Bed With
Storage Footboard



Item: 305-S888-632-533-401
Description: Full Bookcase Bed Without
Storage Footboard



LIVING SPACES

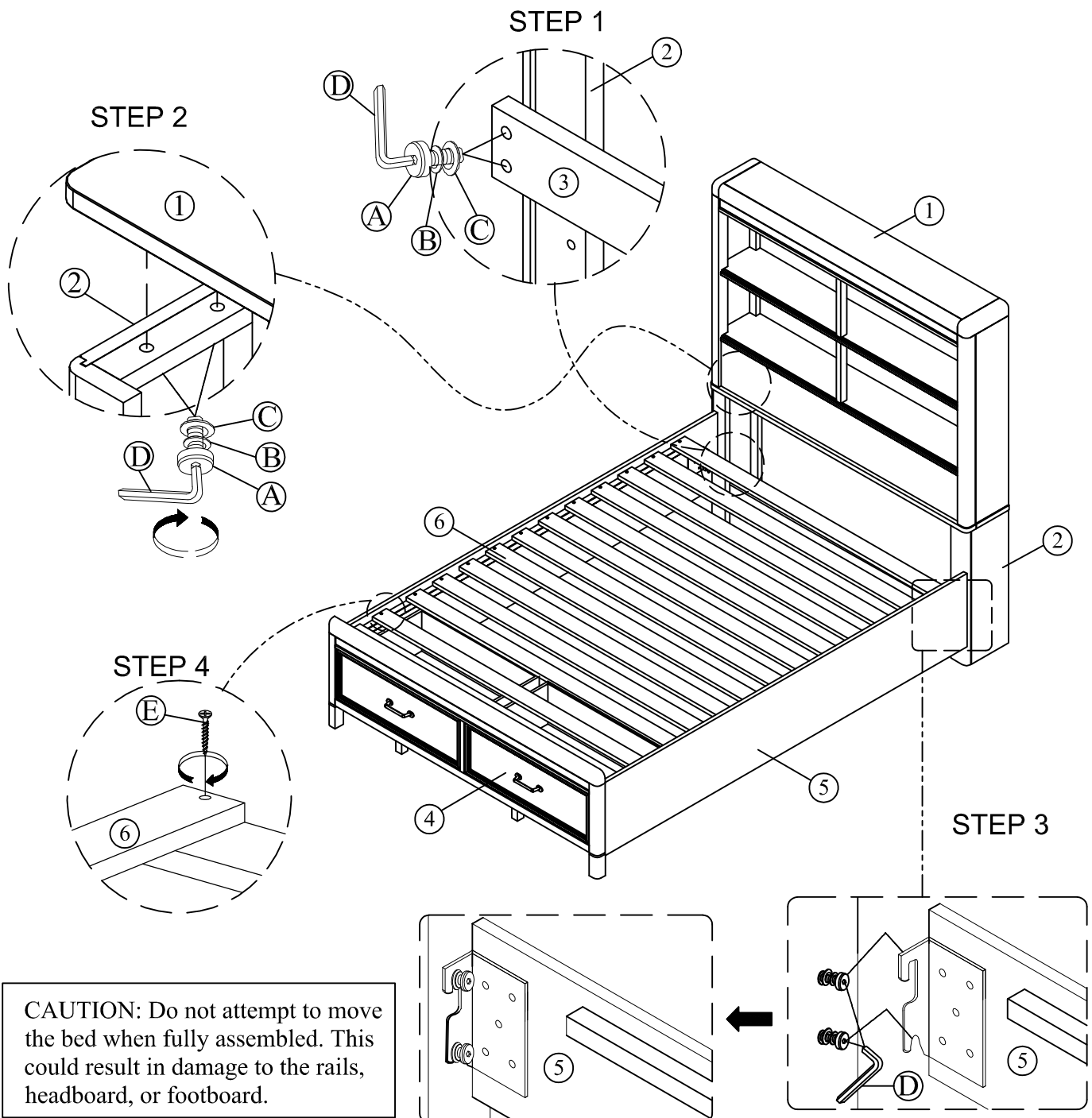
ASSEMBLY INSTRUCTIONS

ITEM 305-S888-632-536-644-SLATR 46

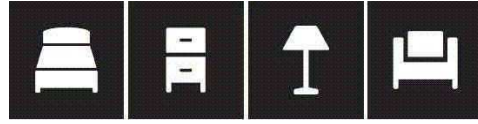
Full Bookcase Bed With Storage Footboard

Thank you for purchasing this quality product. Be sure to check all packing material carefully for small hardware which may have come loose inside the carton during shipment. Identify and count all hardware and compare with the hardware list below.

When placing furniture on non-carpeted flooring, HMI recommends the use of floor protection such as an area rug or furniture pads. Area rugs and padding not included with purchase.



CAUTION: Do not attempt to move the bed when fully assembled. This could result in damage to the rails, headboard, or footboard.



LIVING SPACES

ASSEMBLY INSTRUCTIONS

ITEM 305-S888-632-533-401

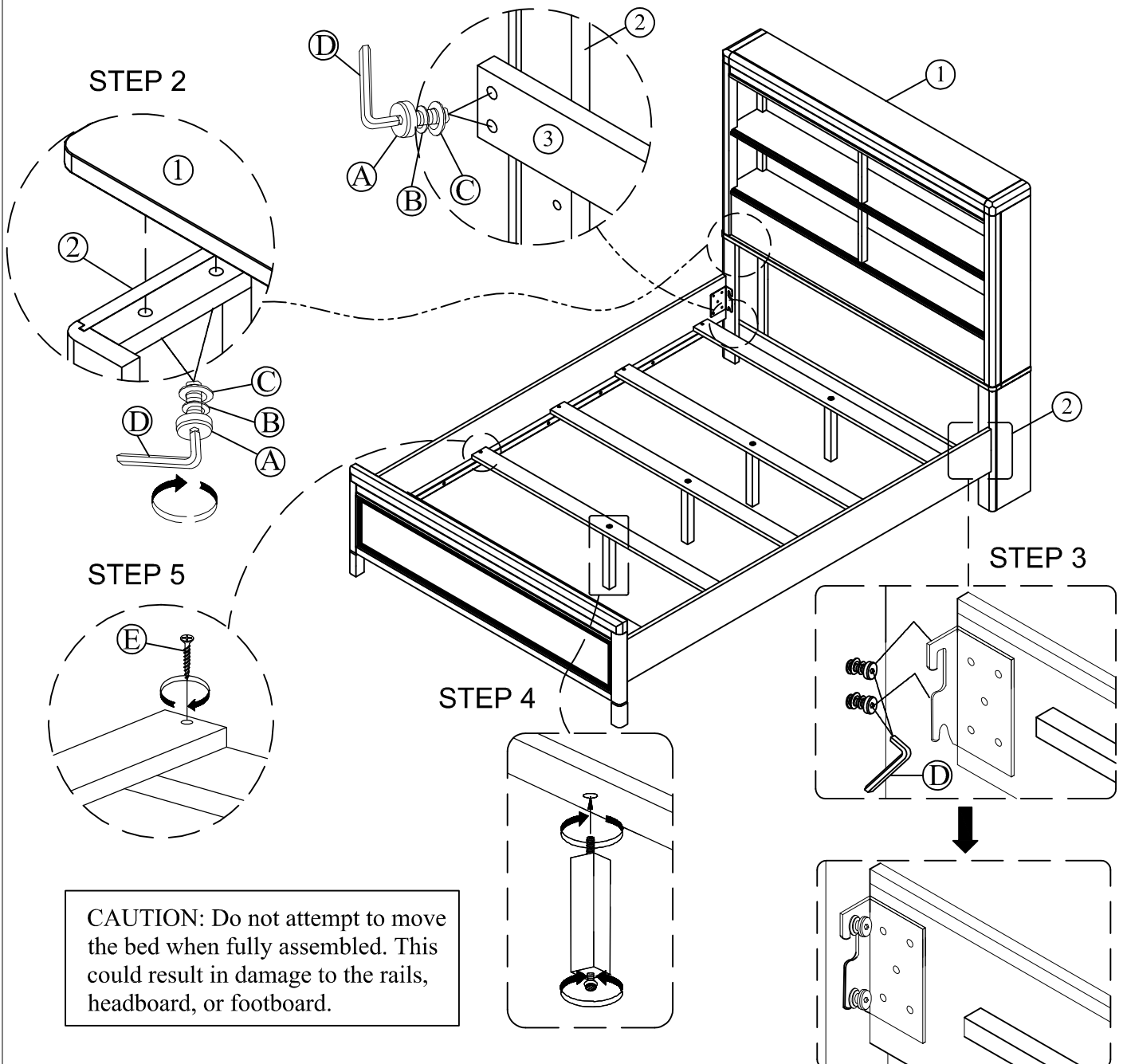
Full Bookcase Bed Without Storage Footboard

Thank you for purchasing this quality product. Be sure to check all packing material carefully for small hardware which may have come loose inside the carton during shipment. Identify and count all hardware and compare with the hardware list below.

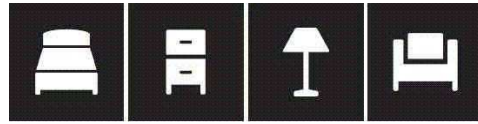
When placing furniture on non-carpeted flooring, HMI recommends the use of floor protection such as an area rug or furniture pads. Area rugs and padding not included with purchase.

Option 2: 305-S888-632 with 533-401

STEP 1



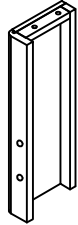
CAUTION: Do not attempt to move the bed when fully assembled. This could result in damage to the rails, headboard, or footboard.



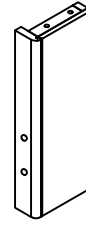
LIVING SPACES

REPLACEMENT PARTS

ITEM 305-S888-632-536-644-SLATR 46 Full Bookcase Bed



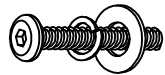
x1 RS888-632-LEGL
Left Leg



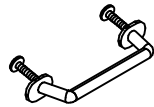
x1 RS888-632-LEGR
Right Leg



x1 RS888-632-HWKIT
Hardware kit



x26 RS888-531-SCREW
Screw



x2 RS888-010-PULL
Pull with screw



x2 COMGLIDE-14-45
Glide 14in-45mm