

LIVING SPACES



ASSEMBLY INSTRUCTIONS

ITEM 305-S888-452

DESK CHAIR



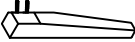
Thank you for purchasing this quality product. Be sure to check all packing material carefully for small hardware which may have come loose inside the carton during shipment. Identify and count all hardware and compare with the hardware list below.

When placing furniture on non-carpeted flooring, HMI recommends the use of floor protection such as an area rug or furniture pads. Area rugs and padding not included with purchase.










**TOOL REQUIRED (NOT PROVIDED):
PHILLIPS SCREW DRIVER**

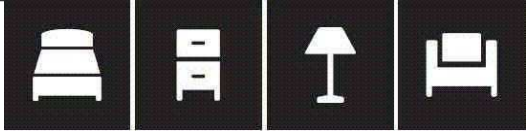


PARTS LIST

NO.	Description	Sketch	Q.ty
1	Chair Back		1
2	Seat Cushions		1
3	Leg		2

HARDWARE LIST

NO.	Description	Sketch	Q.ty
A	1/4"*3" Allen Bolt		4
B	1/4"*1-1/2" Allen Bolt		2
C	Ø1/4"x Ø10 Spring Washer		6
D	Ø1/4"x Ø19 Flat Washer		6
E	Allen Wrench (4mm)		1
F	Ø5/16" Hex Nut		4
G	Ø5/16"x Ø13 Spring Washer		4
H	Ø5/16"x Ø19 Flat Washer		4
I	13 mm Open Wrench		1



LIVING SPACES

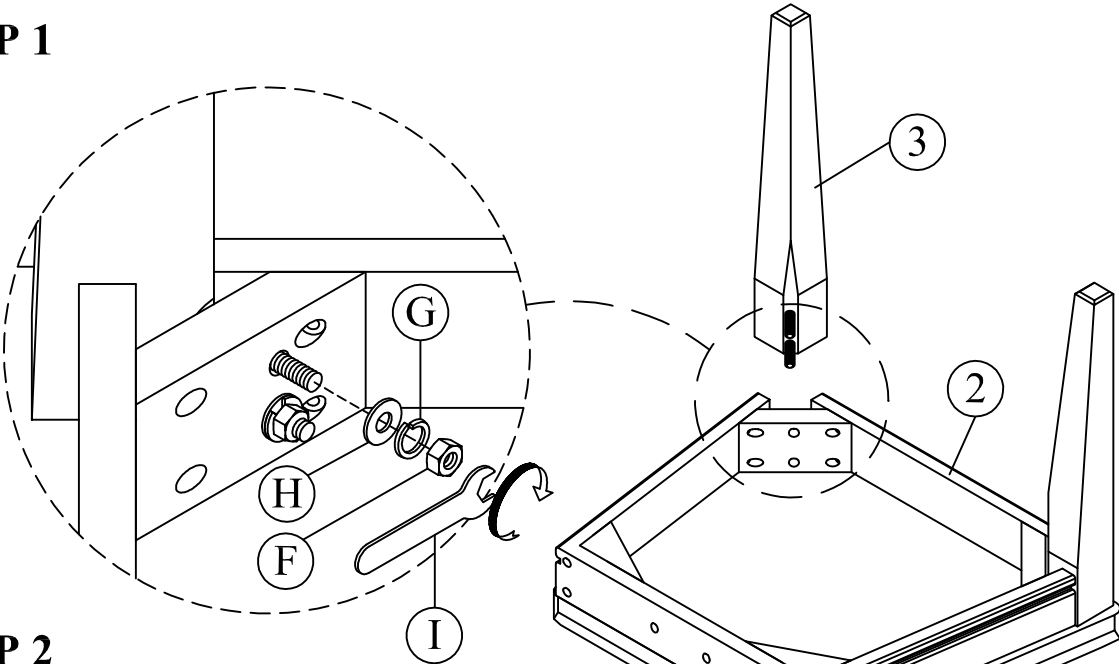


ASSEMBLY INSTRUCTIONS

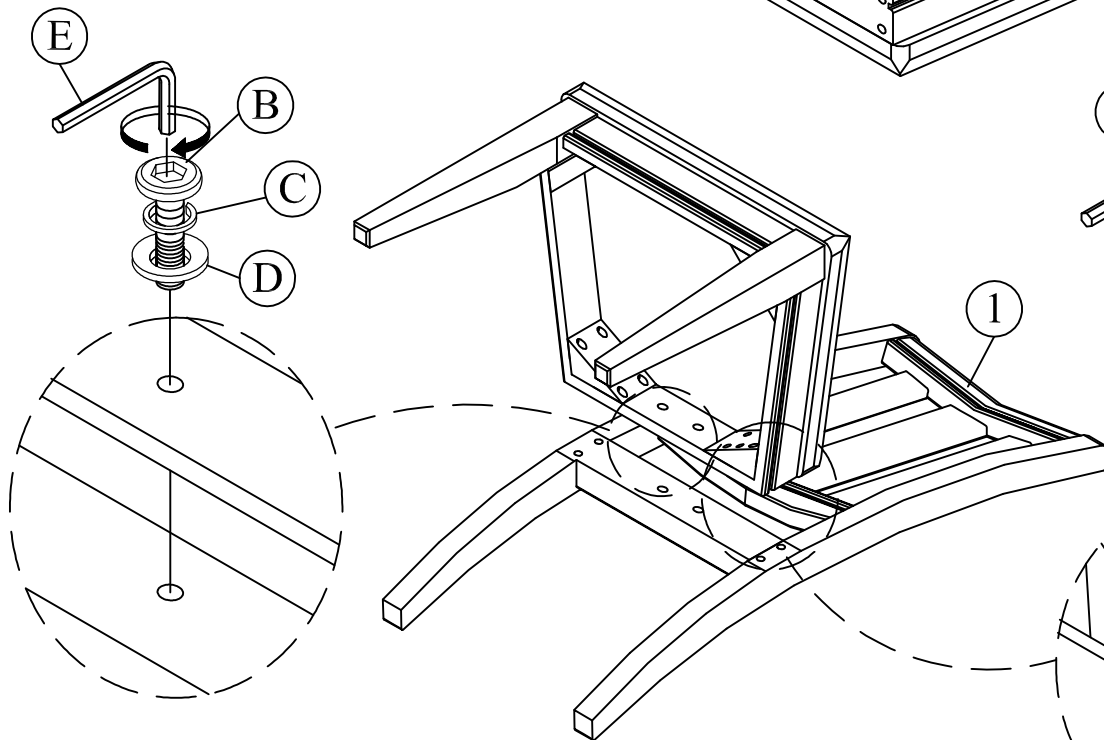
ITEM 305-S888-452

DESK CHAIR

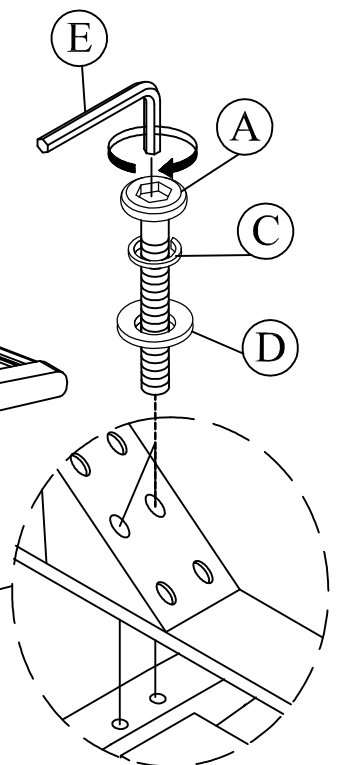
STEP 1

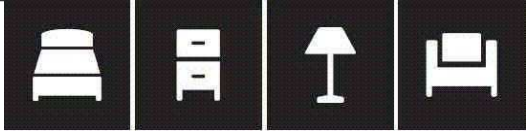


STEP 2



STEP 3



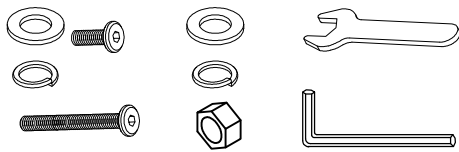


LIVING SPACES

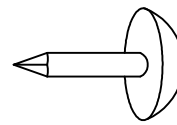
REPLACEMENT PARTS

ITEM 305-S888-452

DESK CHAIR



x1 RS888-452-HWKIT
Hardware kit



x4 RC-BR-NAIL
Brown plastic nail



x1 RS888-452-LEGL
Left Leg



x1 RS888-452-LEGR
Right Leg