

MARTIN® FURNITURE

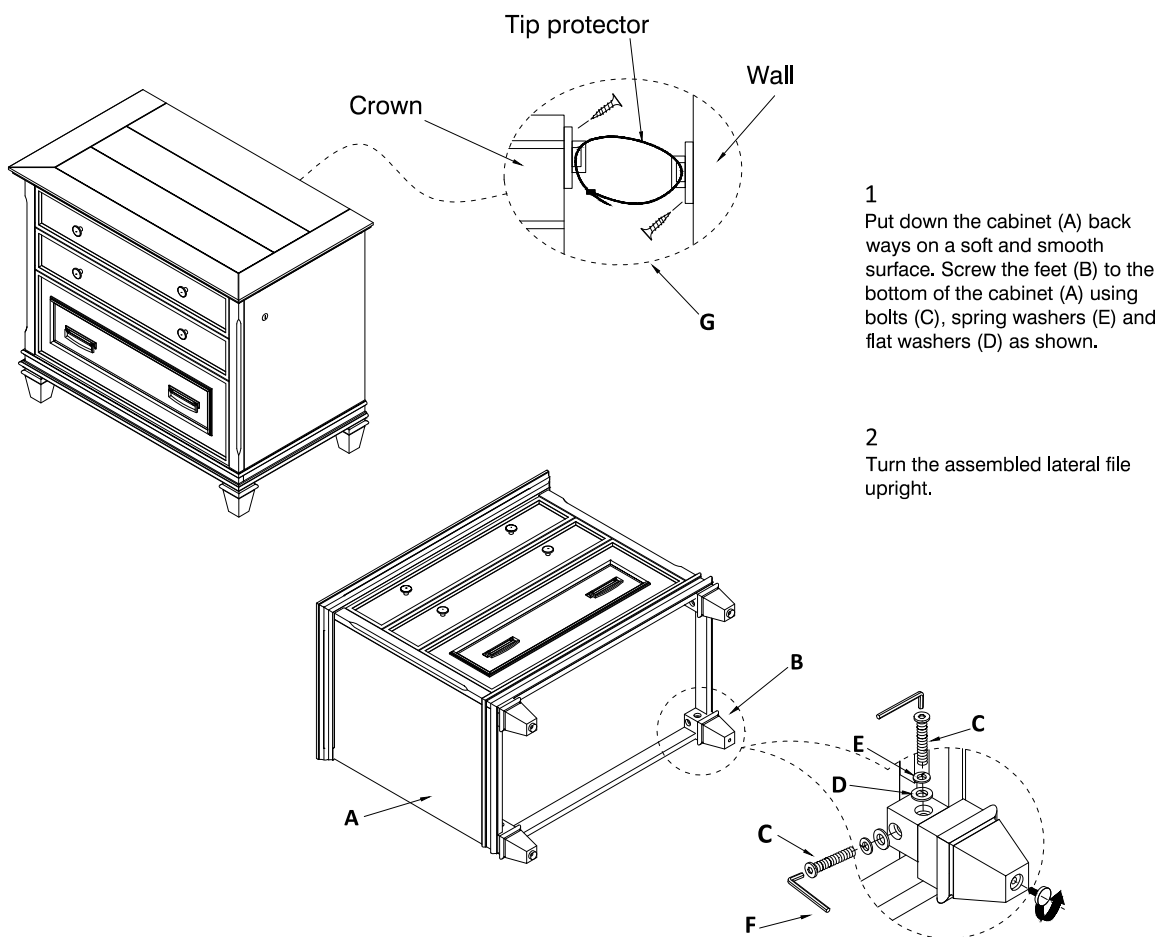
SET-UP INSTRUCTIONS FOR ITEM

IMHF450 LATERAL FILE

info@martinfurniture.com

| NO: | Parts List | | QTY |
|-----|---|-----------------------------|-------|
| A |  | Cabinet | 1 PC |
| B |  | Feet | 4 PCS |
| C |  | Bolt (1/4"*50mm) | 8 PCS |
| D |  | Flat washer | 8 PCS |
| E |  | Spring washer | 8 PCS |
| F |  | Allen wrench | 1 PC |
| G |  | Furniture Tipping Restraint | 1 PC |

Caution: Please read all instructions before assembly and check the carton for any parts that may have come loose during shipment. It is recommended to **use two or more people during the assembly process.**



1
Put down the cabinet (A) back ways on a soft and smooth surface. Screw the feet (B) to the bottom of the cabinet (A) using bolts (C), spring washers (E) and flat washers (D) as shown.

2
Turn the assembled lateral file upright.

CARING FOR YOUR FURNITURE

- Use a soft, clean cloth that will not scratch the surface when dusting.
- Use of furniture polishes are not necessary. Should you choose to use polishes, test in an inconspicuous area first.
- Using solvents of any kind on your furniture may damage your furniture finish.
- Never use water to clean your furniture as it may cause damage to the finish.
- Always use coasters under beverage glasses and flowerpots.
- Liquid spills should be removed immediately. Use a soft, clean cloth, blot the spill gently. Avoid rubbing.
- Direct sunlight may damage wood finishes.
- Extreme temperature and humidity changes can cause warping, shrinking and splitting of wood furniture. It is best to keep furniture in a climate controlled environment.
- Always use protective pads under hot dishes and plates. Heat can cause chemical changes that may create spotting within the furniture finish.
- In the event that your furniture is stained or otherwise damaged during use, we recommend that you call a professional to repair your furniture.