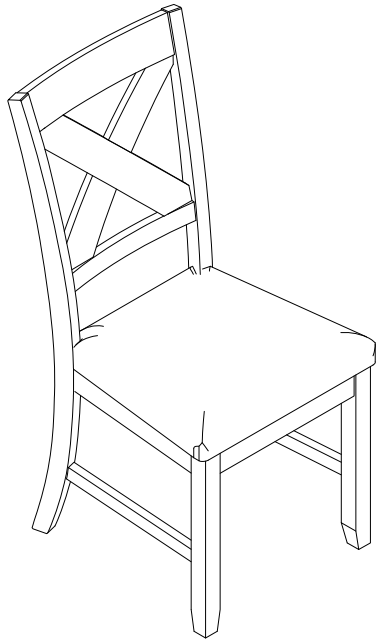




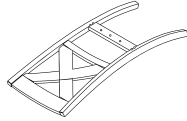
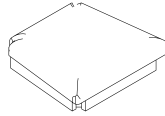
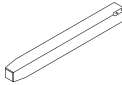
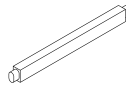
Scan QR code to
view assembly video

POLLIE DINING SIDE CHAIR



RS-2023-C79/ 267679



PART LIST		
#1		Chair Back X1
#2		Seat X1
#3		Front Leg (left&right) X2
#4		Leg Stretcher (left&right) X2

Important safety instructions:

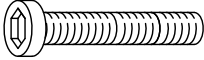
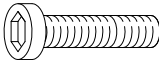
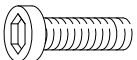
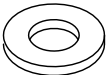



- * Please read carefully all instructions before assembling.
- * For your safety and ease, assembly by two or more adults is recommended.
- * Do not tighten any bolts until all bolts have been started.

Pre-assembly:

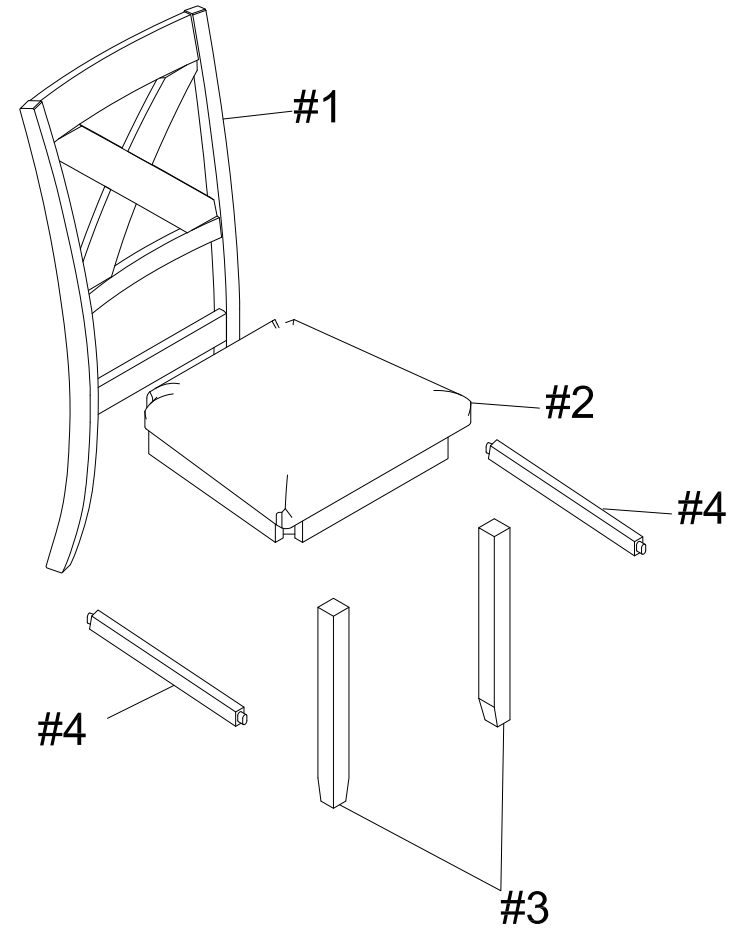
- * Do not discard any content until assembly completed to avoid accidentally discarding small parts or hardware.
- * Take out all parts and hardware from box.

CAUTION : Failure to follow these instructions may cause the bolts to misalign during assembly

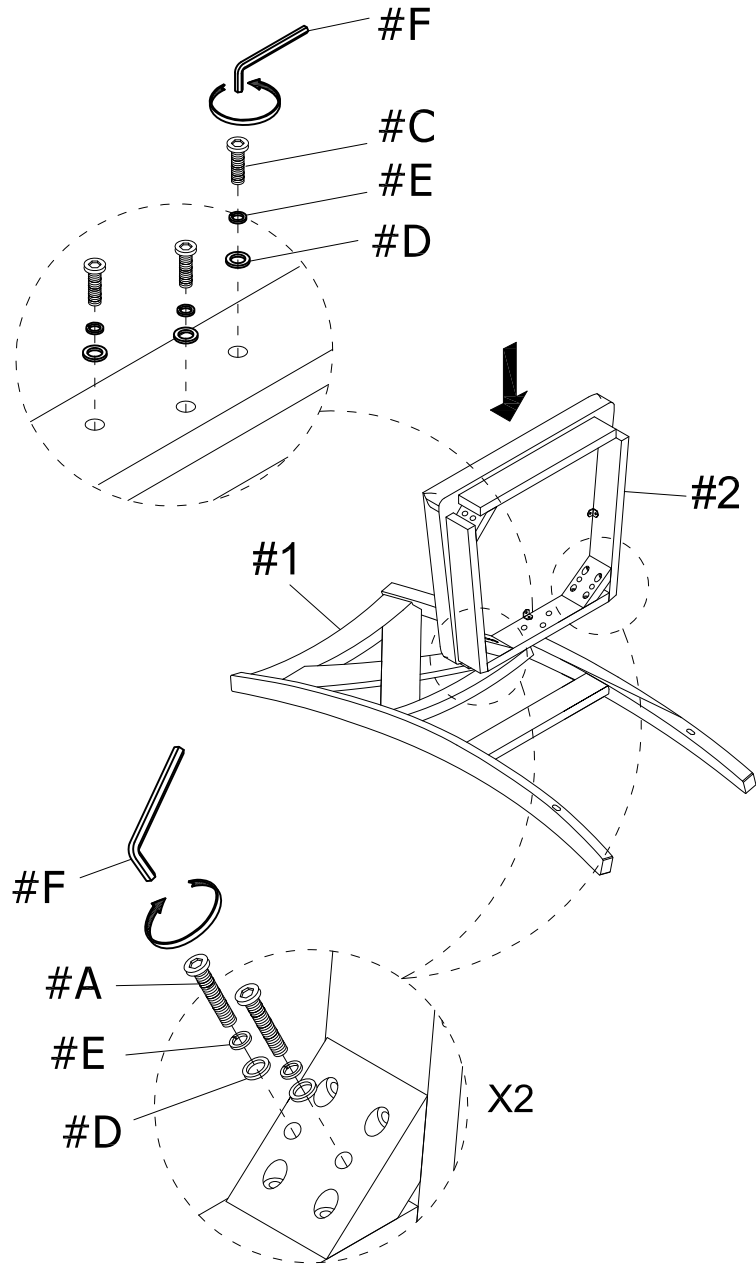
HARDWARE

#A		Blot $\text{Ø}\frac{5}{16}$ "x76mm X4
#B		Blot $\text{Ø}\frac{5}{16}$ "x60mm X4
#C		Blot $\text{Ø}\frac{5}{16}$ "x38mm X3
#D		Flat Washer $\text{Ø}\frac{5}{16}$ " X11
#E		Spring Washer $\text{Ø}\frac{5}{16}$ " X11
#F		Allen Key $\text{Ø}5\text{mm}$ X1
#G		Wood Screw #8*45mm X4

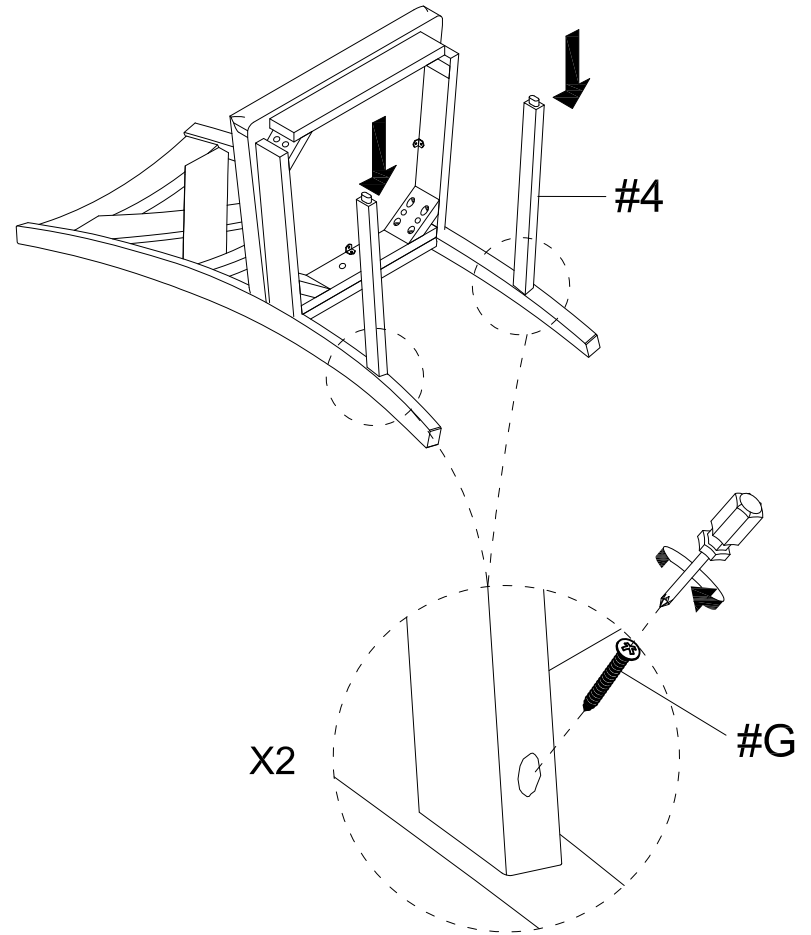
1



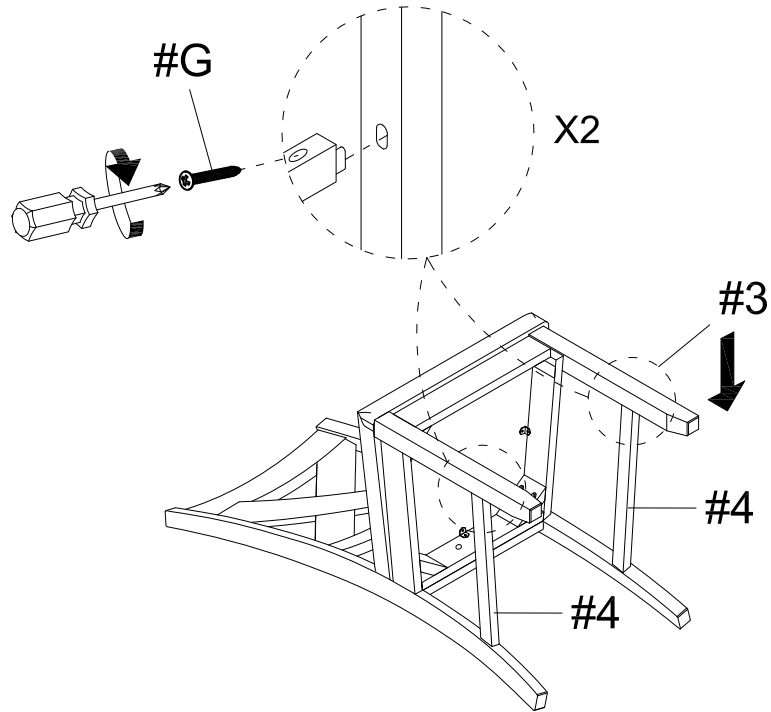
2



3

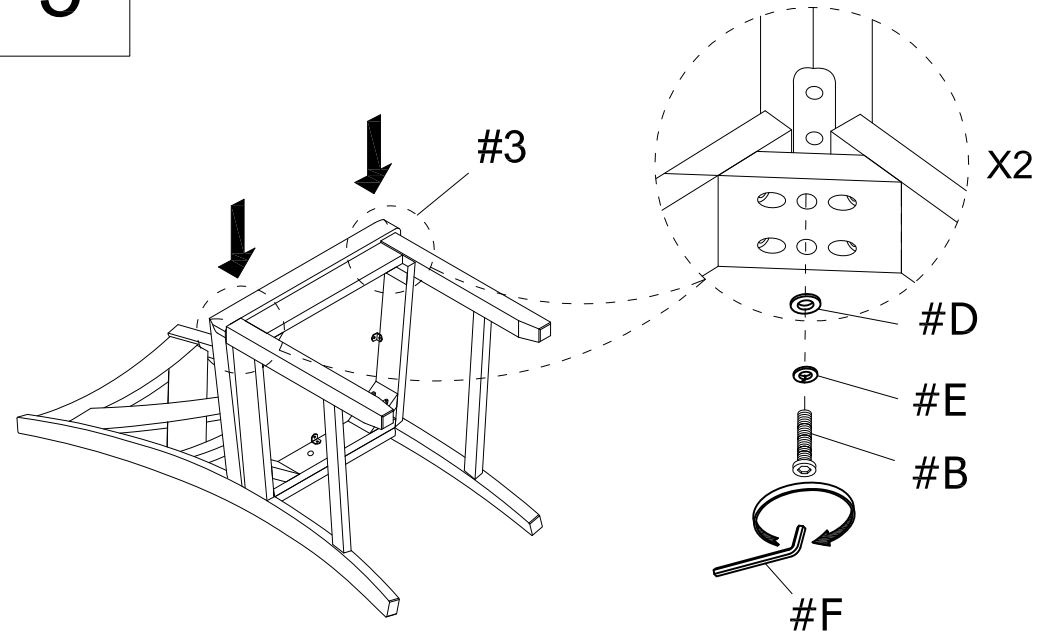


4

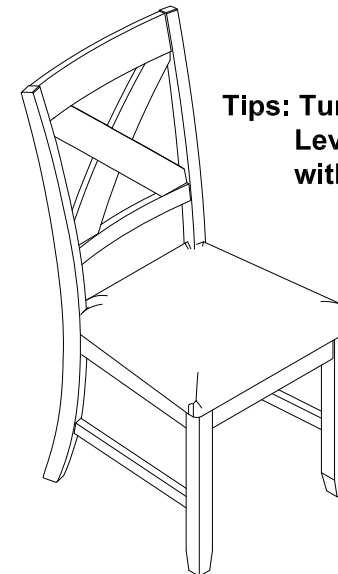


IMPORTANT: PRESS DOWN the Front legs (#3) when securing with side Stretchers (#4) using screws provided (#G) to avoid the gap between legs and stretchers.

5



6



Tips: Turn chair upright on a level surface. Level the chair and tighten all bolts with the Allen Wrench.