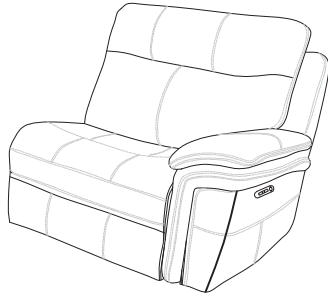


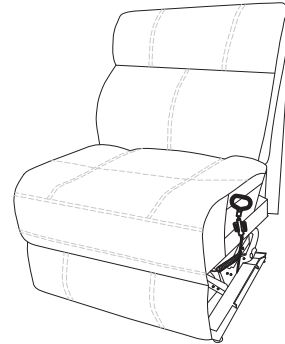
ASSEMBLY INSTRUCTIONS

* Please keep these instructions and have the product model # and part # available when requesting a service.

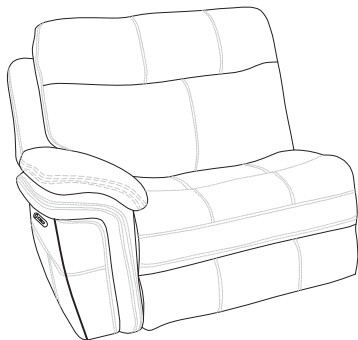
POWER RIGHT ARM



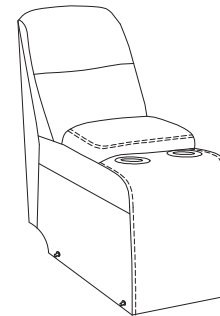
MANUAL ARMLESS RECLINER



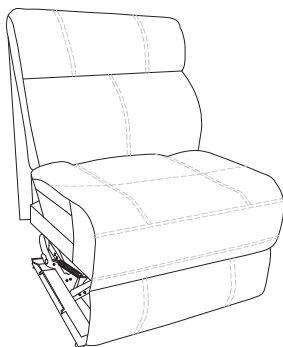
POWER LEFT ARM



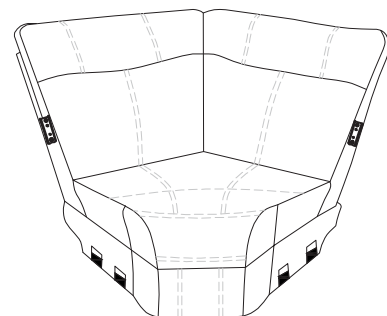
ENTERTAINMENT CONSOLE



ARMLESS CHAIR

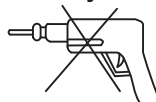


CORNER WEDGE



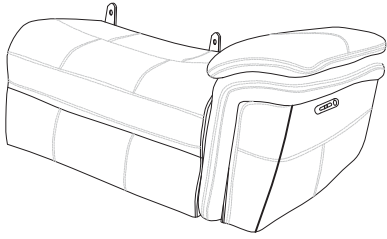
IMPORTANT NOTE

Do not use a power tool to assemble this product as it could damage the thread of the hardware and affect the solidity/durability of the product.

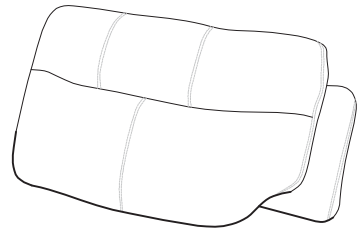


BATEMAN MODULAR COLLECTION

A x 1

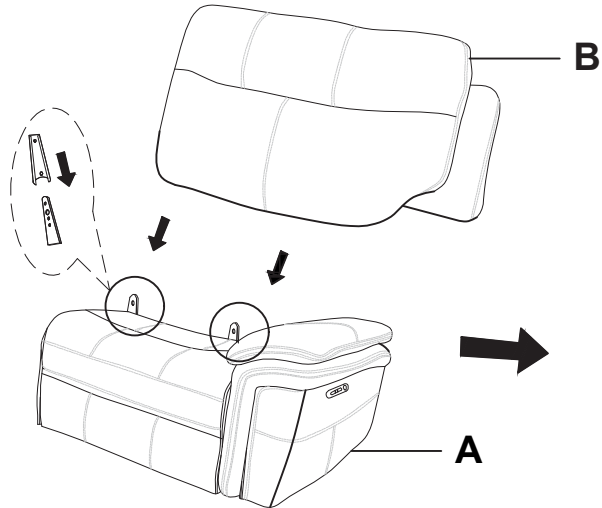


B x 1

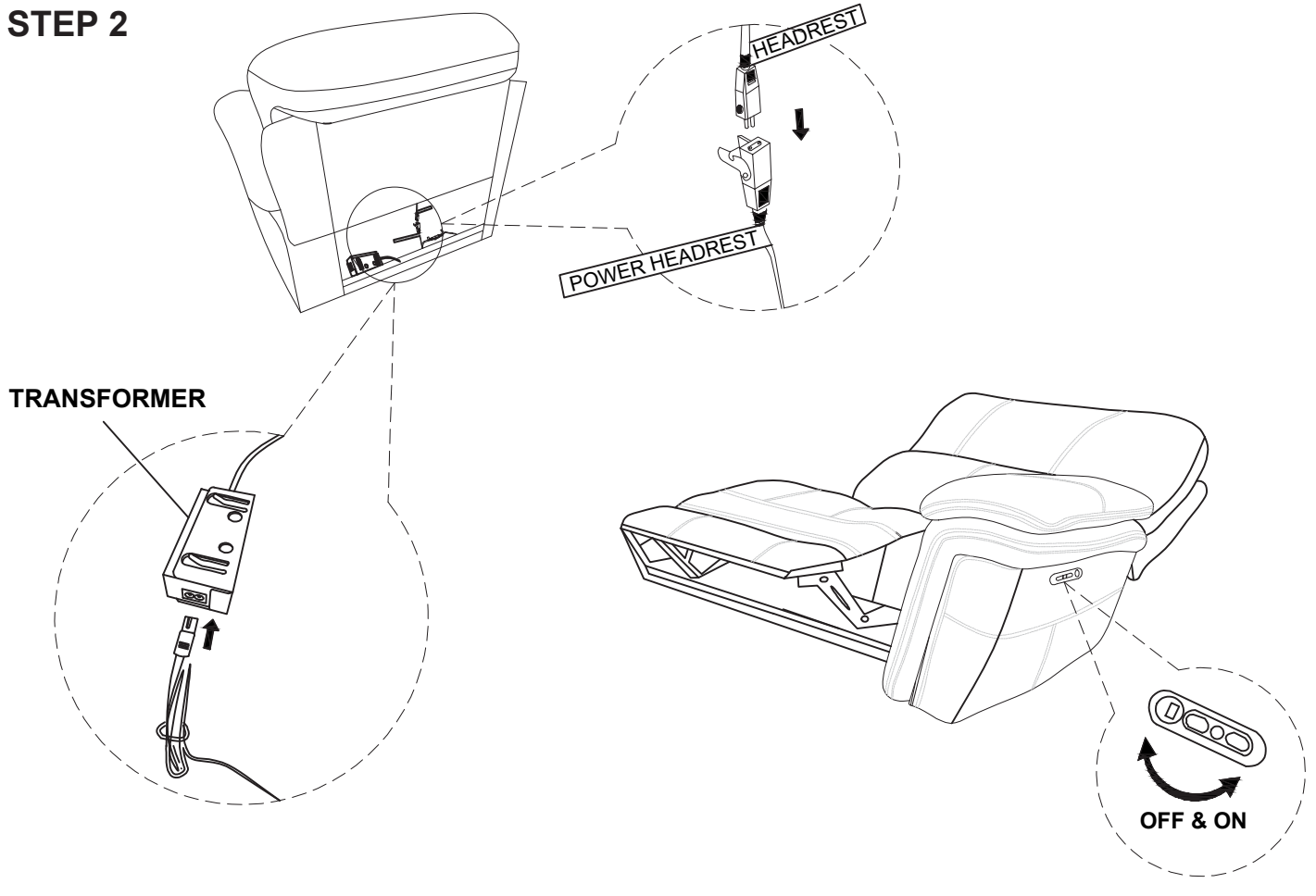


POWER RIGHT ARM

STEP 1

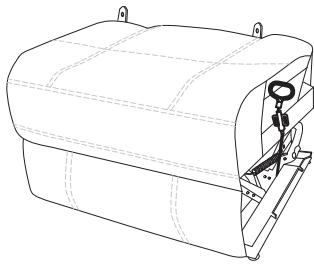


STEP 2

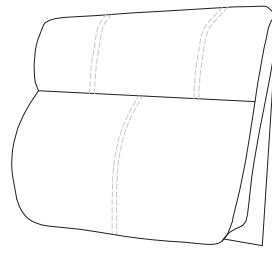


BATEMAN MODULAR COLLECTION

C x 1



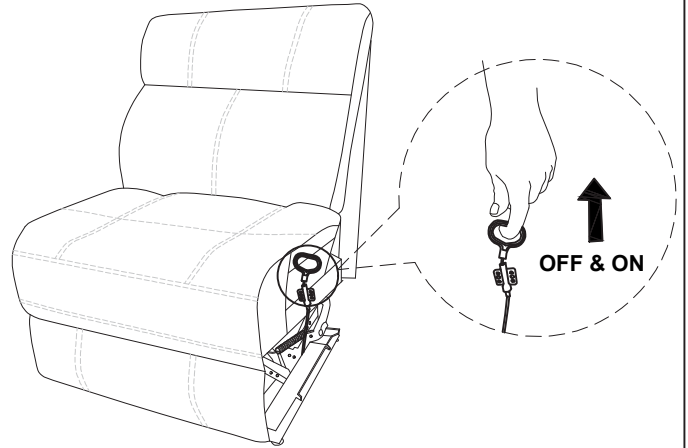
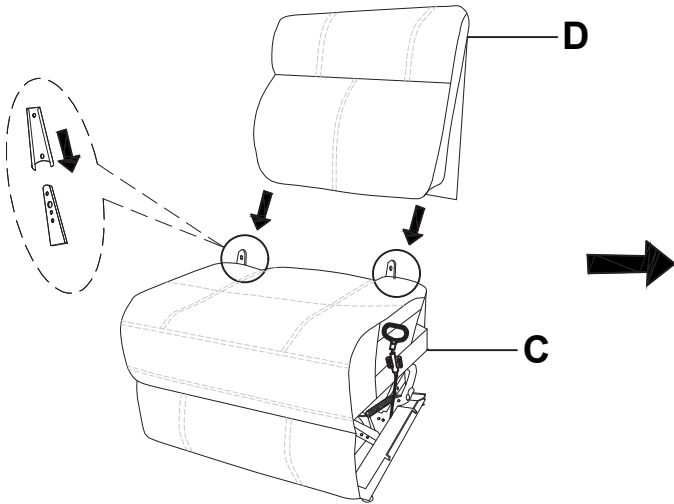
D x 1



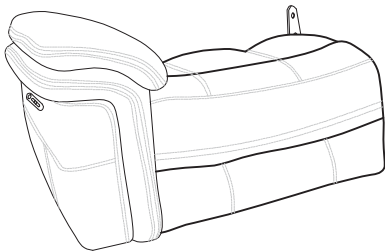
MANUAL ARMLESS RECLINER

STEP 3

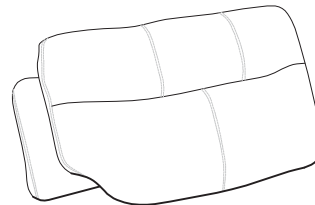
STEP 4



E x 1

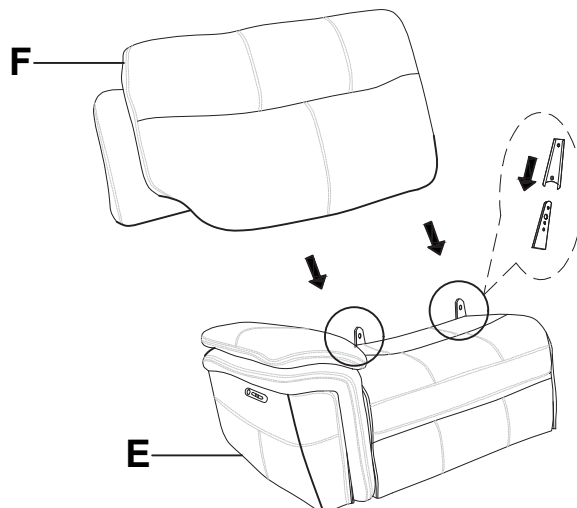


F x 1



POWER LEFT ARM

STEP 5

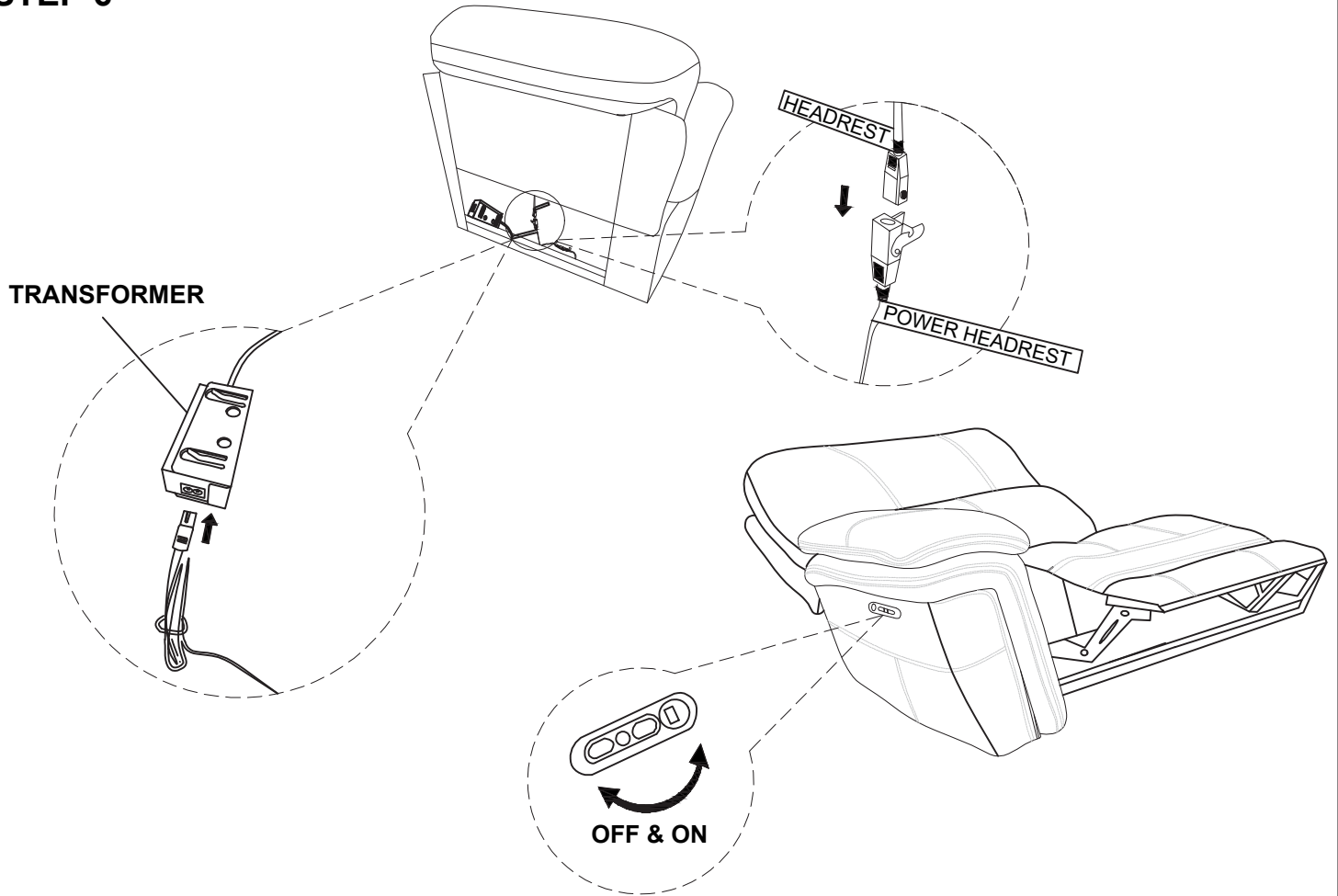


MADE IN VIET NAM

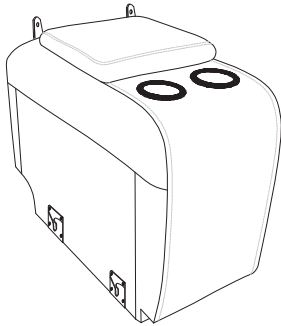
Page 3 of 6

BATEMAN MODULAR COLLECTION

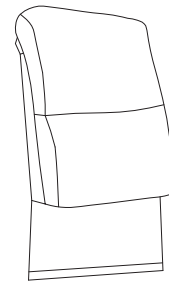
STEP 6



G x 1

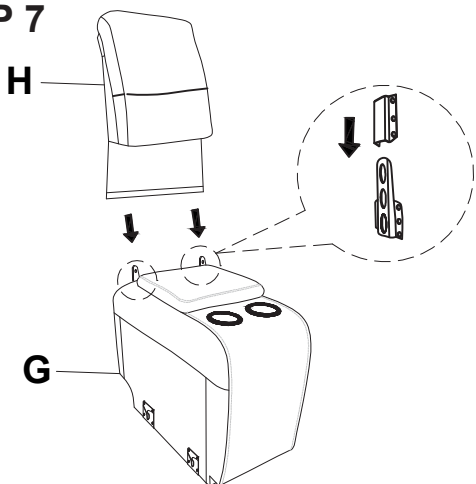


H x 1

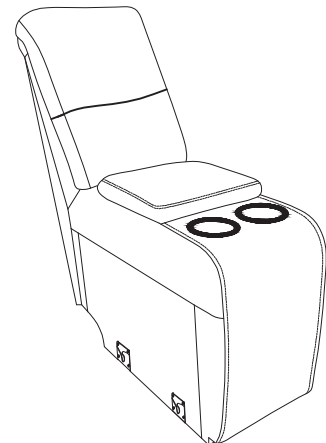


ENTERTAINMENT CONSOLE

STEP 7

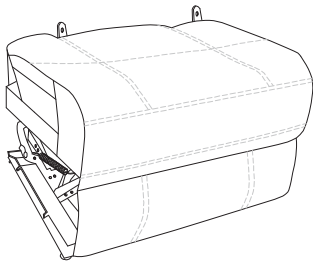


STEP 8

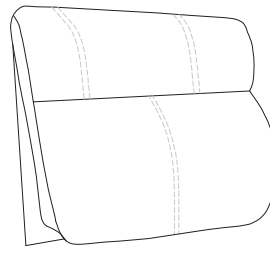


BATEMAN MODULAR COLLECTION

I x 1



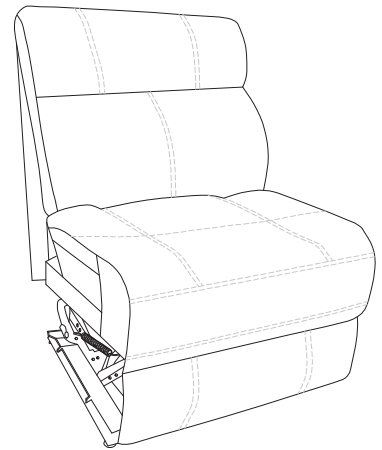
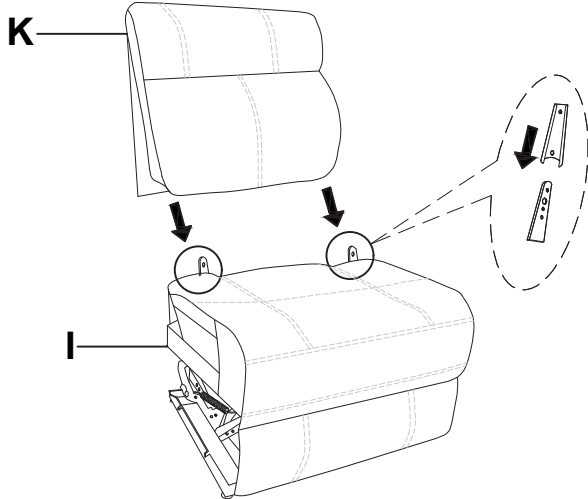
K x 1



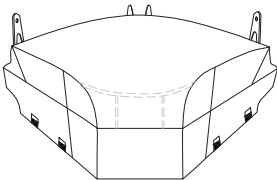
ARMLESS CHAIR

STEP 9

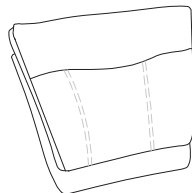
STEP 10



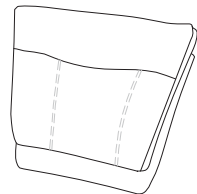
L x 1



M x 1

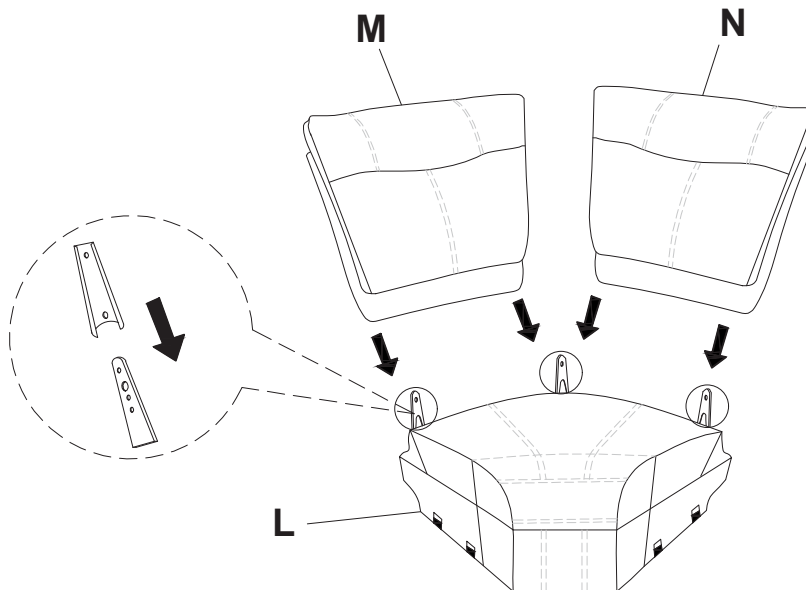


N x 1

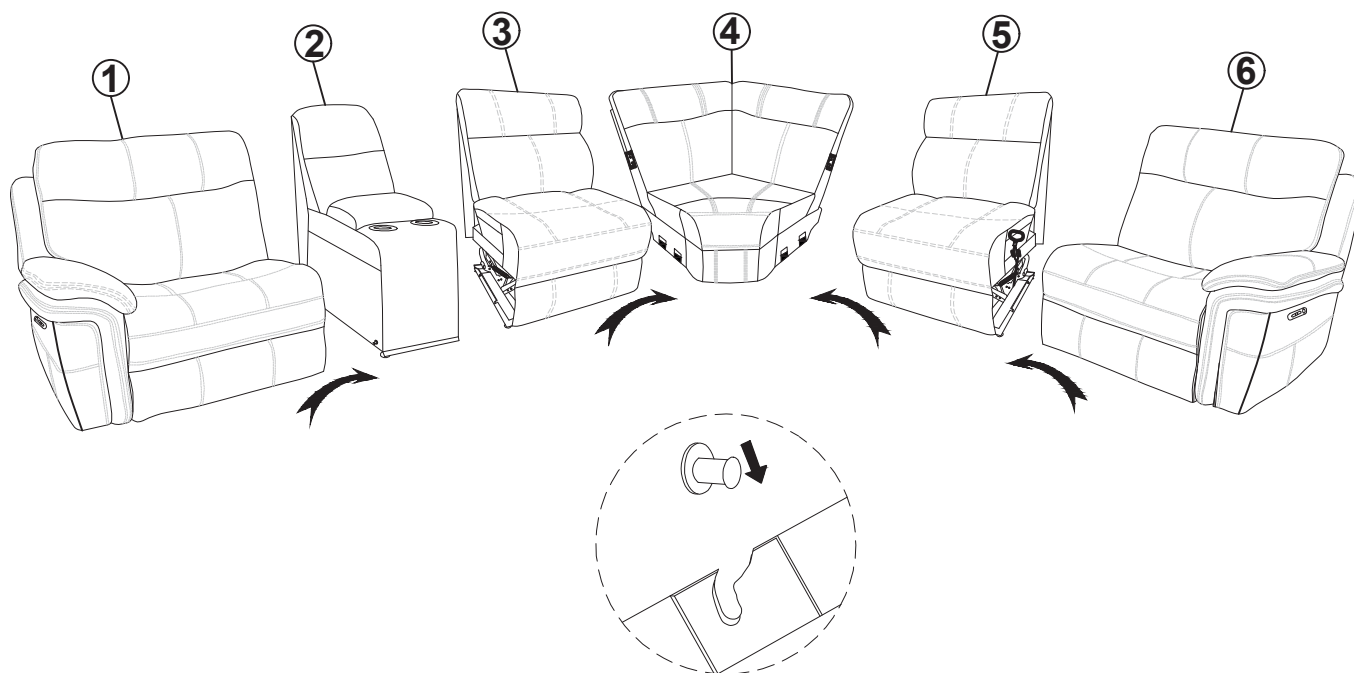


CORNER WEDGE

STEP 11



STEP 12



To connect your sectional pieces start with the piece on the left side when facing the sectional(#1).Hook the pins of the piece you want next to it into the slots on the bottom of item #1,continue connecting the remaining sectional piece in order.You can configure the pieces many ways.To disconnect,go in the reverse direction,in the drawing below you would begin with #6.

COMPLETED

