

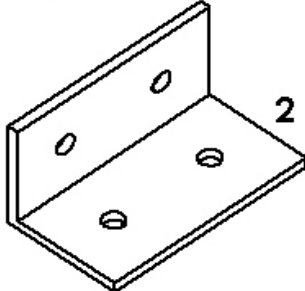




<b><u>MAS90: 5043-43382</u></b>	
<b>SEDONA BRONCO TOP FRAME HARDWARE</b>	
<b><u>QTY:</u></b>	<b><u>DESCRIPTION:</u></b>
24	1/4" X 4" LAG BOLTS BLACK
24	3/16" WASHER BLACK
6	2" CORNER BRACKETS BLACK
10	#6 X 1-1/4" PHIL FLAT PARTICLE BOARD SCREW
24	#8 X 3/4" PHIL PAN TSA ZINC

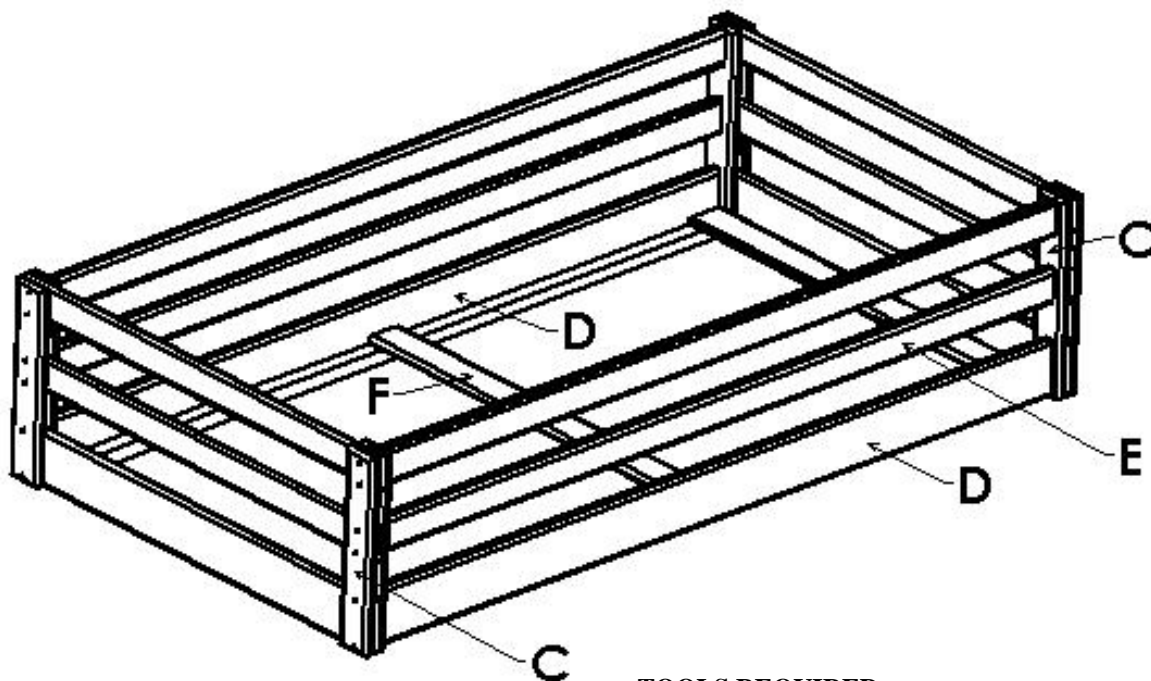
**LAG BOLT**

**WASHER**

**2 X 1 16 G BRACKET**

**PHIL FLAT PARTICLE BOARD SCREW**

**#8 X 3/4" PHIL PAN ZINC**



**PARTS LIST:**

- A) 24 -4 1/4" Lag Bolts
- B) 24 -Black Steel Washers
- C) 2 -End Assemblies
- D) 2 -5 1/4" x 75" Mattress Rails w/Support Cleats
- E) 4 -3 1/4" x 75" Guard Rails
- F) 3 -3 1/2" x 38 3/4" Mattress Supports
- G) 10 -1 1/4" Black Flat Head Wood Screws
- H) 6 -Angle Brackets
- I) 24-3/4" Round Head Screws
- J) 2 -Modular Roundup Case Ends (Desk or Chest)

**TOOLS REQUIRED:**

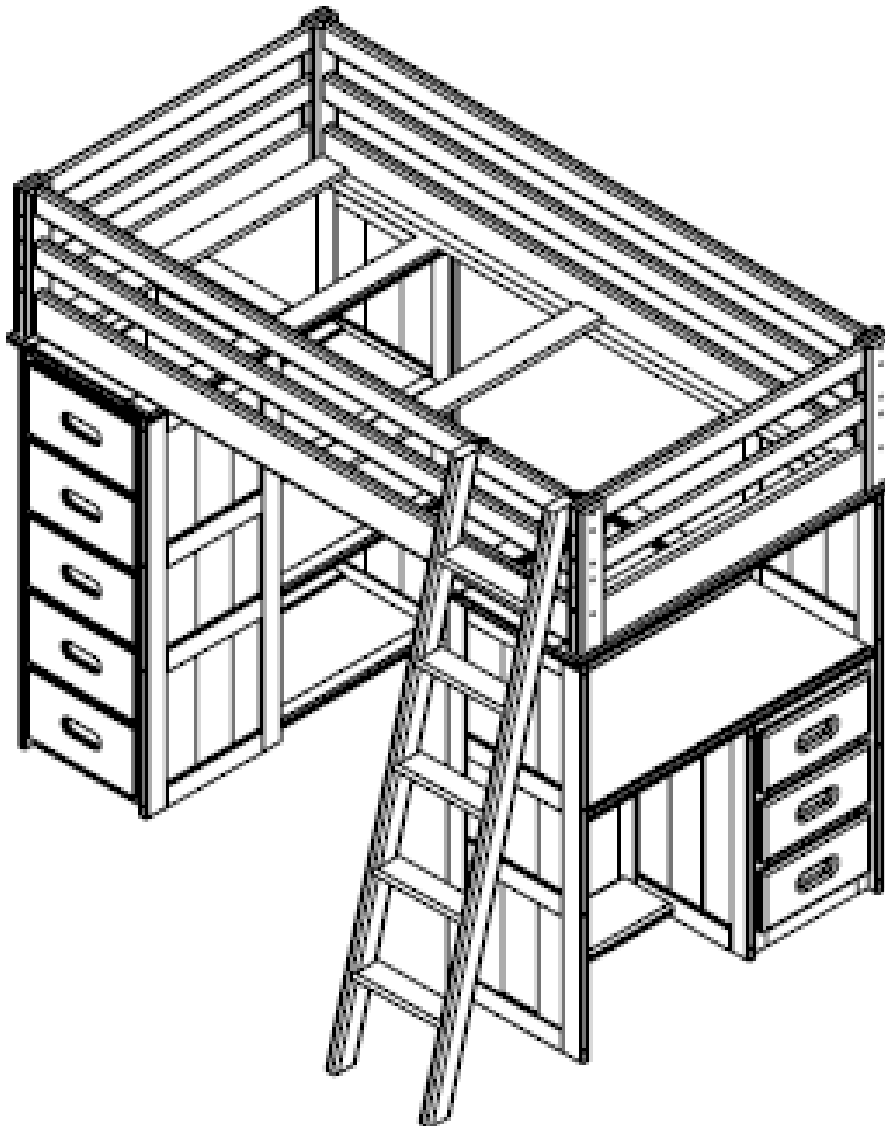
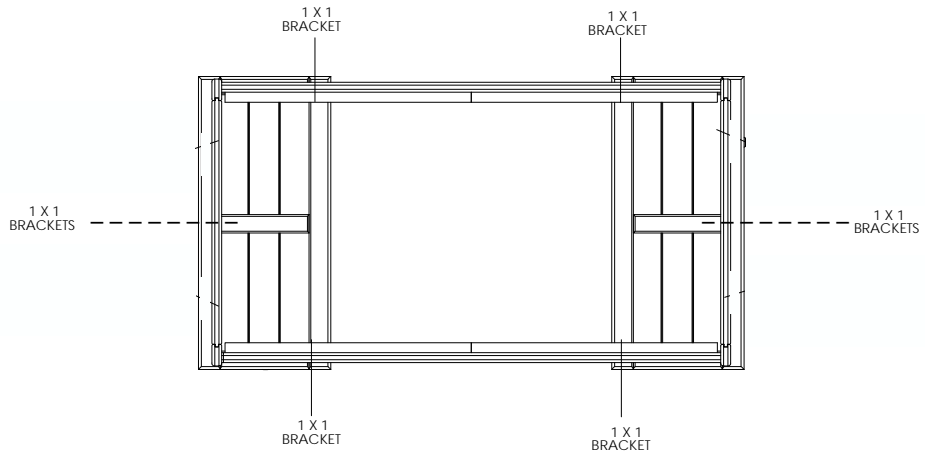
- 1) 7/16" Wrench or Socket Wrench
- 2) Phillips Head Screwdriver

Recommended: Electric driver with 7/16" socket

A FOUNDATION IS REQUIRED WITH 3 SLAT CONFIGURATION

**Make you have all parts before beginning assembly. If you need a part, contact Living Spaces.**

- 1) Attach two mattress rails(D) and four guardrails(E) to end assemblies(C) with 24 lag bolts and 24 washers, and tighten.
- 2) Place modular case ends(J) as pictured on page 3, with an overall width of approximately 84". Place completed top bed assembly on the modular ends. There should be about 3" of each modular end top extending beyond the bed assembly at each end.
- 3) Attach the bed assembly to the modular ends with the 6 L brackets and 24 round head screws. See diagram on page 3 for location suggestion.
- 4) Roll out Slat Kit and stretch from bed end to bed end. Secure with 4 wood screws, in each end of the two outermost slats, one in each corner of the bed. Center 3 individual slats in the 3 built in gaps of the slat kit, and secure with 6 wood screws in the ends of each individual slat.
- 5) Attach ladder to middle rail on top bed assembly (lower guard rail (E))
- 6) Add mattress not thicker than 10" and sleep well!



## SAFETY WARNING

Our Bunk Beds have been tested by an Independent Laboratory and are certified to be in compliance with: ASTM F-1427, “Standard Consumer Safety Specification for Bunk Beds” and U.S. Government specifications 16 Code of Federal Regulations, parts 1213 and 1513.

### SAFETY WARNINGS

1. Follow the information on the warnings attached to the upper bunk end structure and on the carton. Do not remove this label.
2. Always use the recommended size mattress or mattress support, or both, to help prevent the likelihood of entrapment or falls.
3. Surface of mattress must be at least five inches(127mm) below the upper edge of guardrails.
4. Do not allow children less than six years of age to use the upper bunk.
5. Periodically, check and ensure that the guardrail, ladder and other components are in their proper position, free from damage and that all connectors are tight.
6. Do not allow horseplay on or under the bed and prohibit jumping on the bed.
7. Prohibit more than one person on upper bunk.
8. Always use the ladder or bed end for entering and leaving the upper bunk.
9. Do not use substitute parts. Contact manufacturer or dealer for replacement parts.
10. Use of a night-light may provide added safety precautions for a child using the upper bunk.
11. If the bunk bed will be placed next to a wall, the guardrail that runs the full length of the bed should be placed against the wall to prevent entrapment between the bed and the wall. (This applies only to bunk beds without two full-length guardrails.)
12. Always use guardrails on both long sides of the upper bunk.
13. The use of water or sleep flotation mattress is prohibited.
14. Keep these instructions for future reference.

### STRANGULATION HAZARD

15. Never attach or hang items to any part of the bunk bed that are not designed for use with the bed for example, but not limited to hooks, belts and jump ropes.

### SIZE OF MATTRESS AND FOUNDATION

A FOUNDATION IS REQUIRED WITH 3 SLAT CONFIGURATION

Your Twin bed is designed to use a mattress 37”-39” in width and 74” - 75” in length.

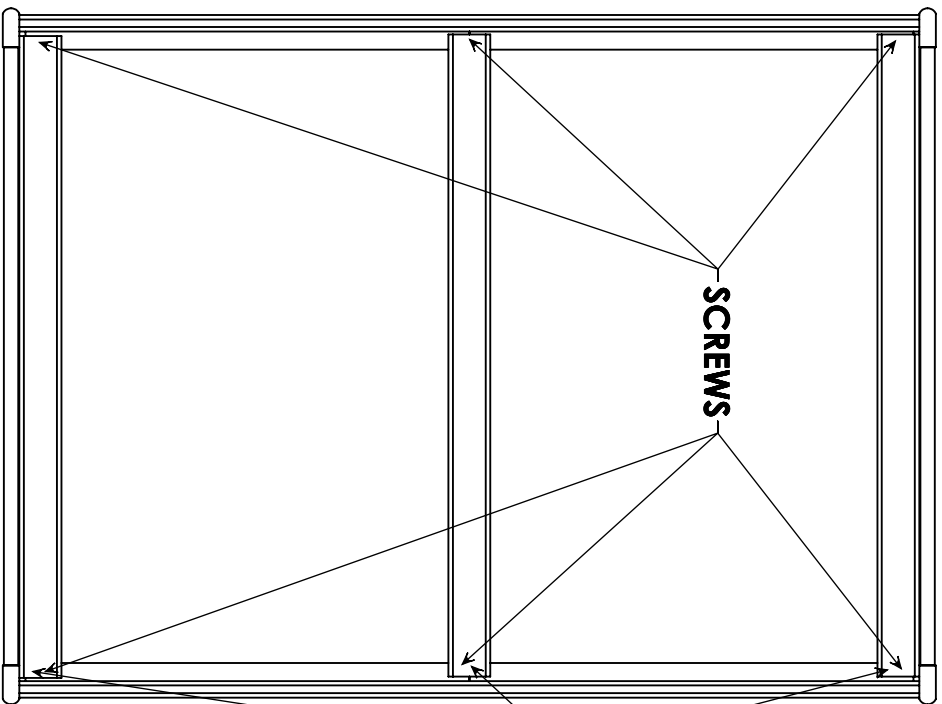
Your Full bed is designed to use a mattress 52”- 54” in width and 74” - 75” in length.

The total thickness of mattress and foundation (slat kit, bunk board, etc.) combined must not exceed **10**”. Note: There must be at least 5” from mattress sleeping surface to top edge of guardrail.

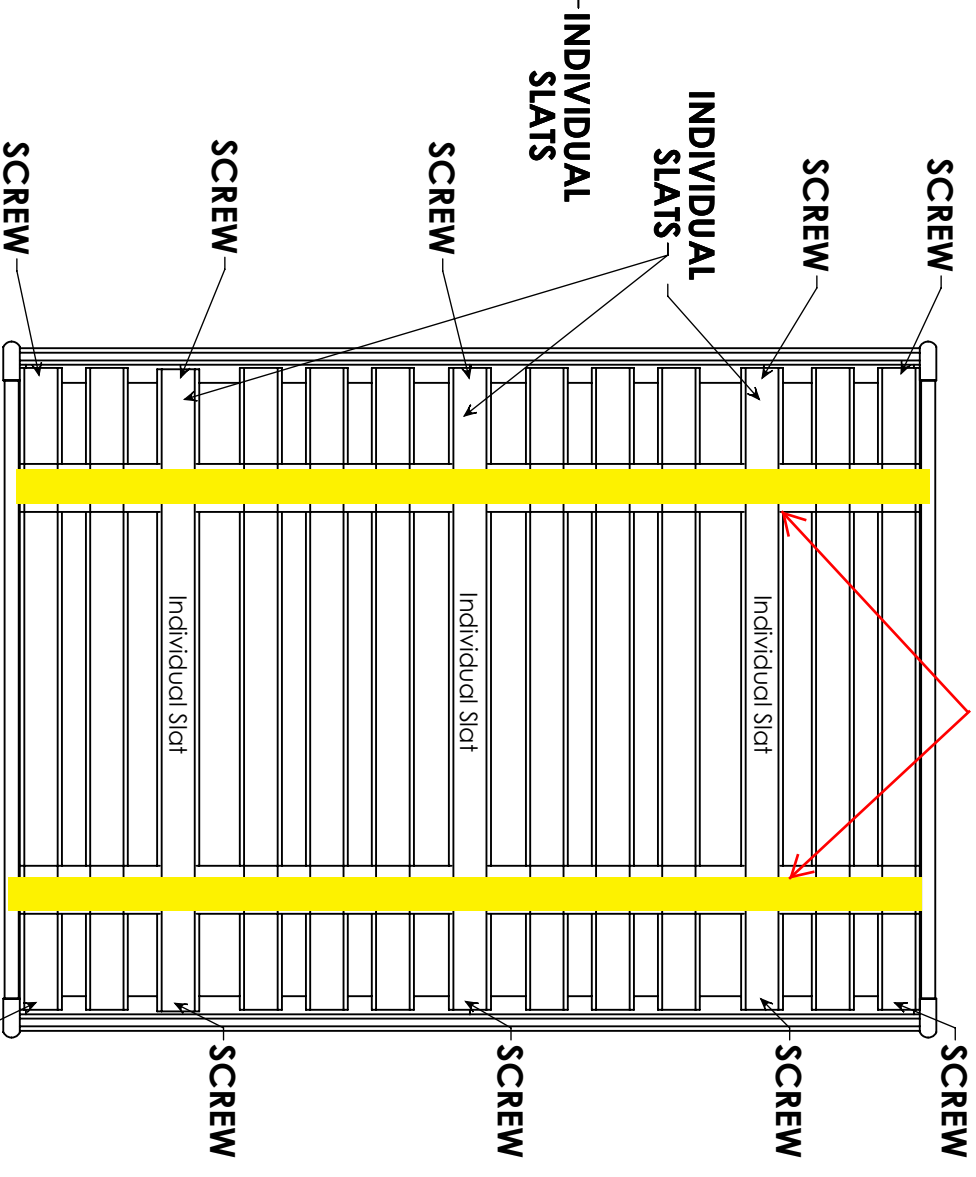
### REPLACEMENT PARTS

Replacement parts, including additional guardrails, may be obtained from your Furniture dealer.

When used with a slot roll, the three individual slats should be placed evenly in the gaps and underneath the strapping before fastening.



Installation of individual slats for use with Bunkie Board  
(Bunkie Board sold separately)  
See your retailer for purchase of Bunkie Board



Installation of individual slats for use with Slot Roll  
(Slot roll sold separately)  
See your retailer for purchase of Slot Roll

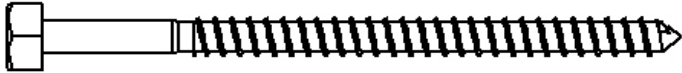




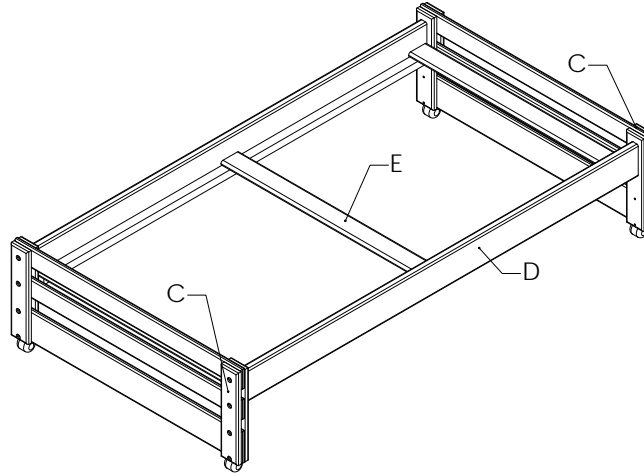
LIVING SPACES

# 7030-00165 KIT

<b><u>MAS90: 5043-43220</u></b>	
<b>BOTTOM BED FRAME HARDWARE</b>	
<b><u>QTY:</u></b>	<b><u>DESCRIPTION:</u></b>
8	1/4 X 4 HEX LAG BLK
8	3/16 USS FL WASHER BLK
10	6 X 1 1/4 PHIL FLAT PARTICLE BOARD SCREW

	<b>LAG BOLT</b>
	<b>WASHER</b>
	<b>PHIL FLAT PARTICLE BOARD SCREW</b>



**PARTS LIST:**

- A) 8 -4 1/4" Lag Bolts
- B) 8 -Black Steel Washers
- C) 2 -End Assemblies
- D) 2 -5 1/4" x 75" Mattress Rails w/Support Cleats
- E) 3 -3 1/2" x 38 3/4" Mattress Supports
- F) 10 -1 1/4" Wood Screws
- G) 4 -Casters with 4 plastic inserts

**TOOLS REQUIRED:**

- 1) 7/16" Wrench or Socket Wrench
- 2) Phillips Head Screwdriver

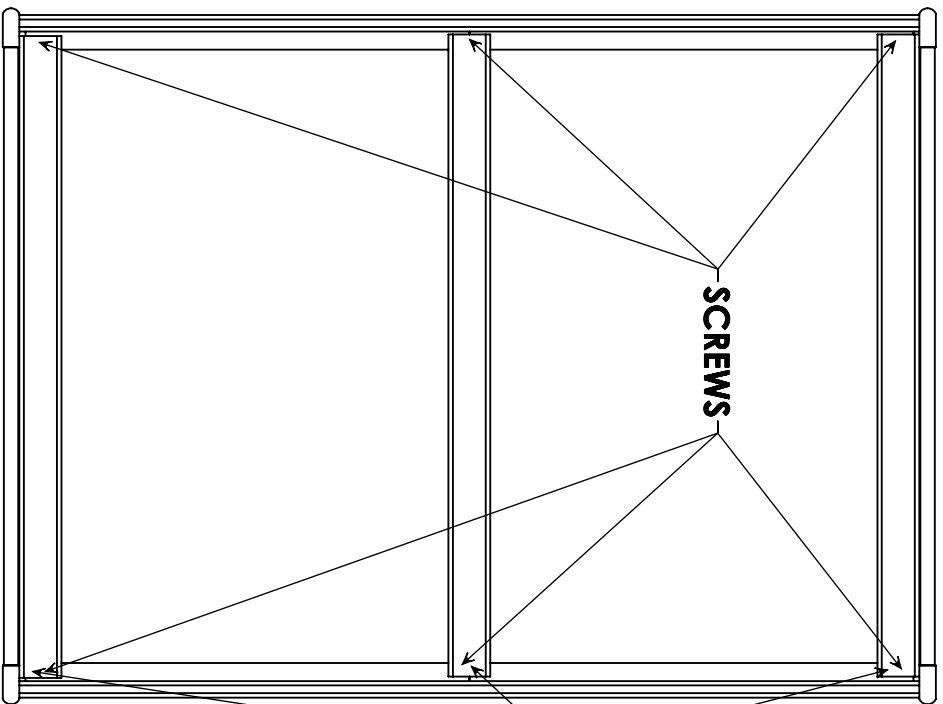
Recommended: Electric driver with 7/16" socket

\*\*\*NOTE: CASTERS HAVE INSERTS WHICH MUST BE DRIVEN FLUSH WITH THE HOLES DRILLED, BEFORE THE CASTERS ARE INSERTED. ATTEMPTING TO DRIVE THE INSERTS IN WITH THE CASTER WHEELS MAY RESULT IN DAMAGE TO THE WHEELS

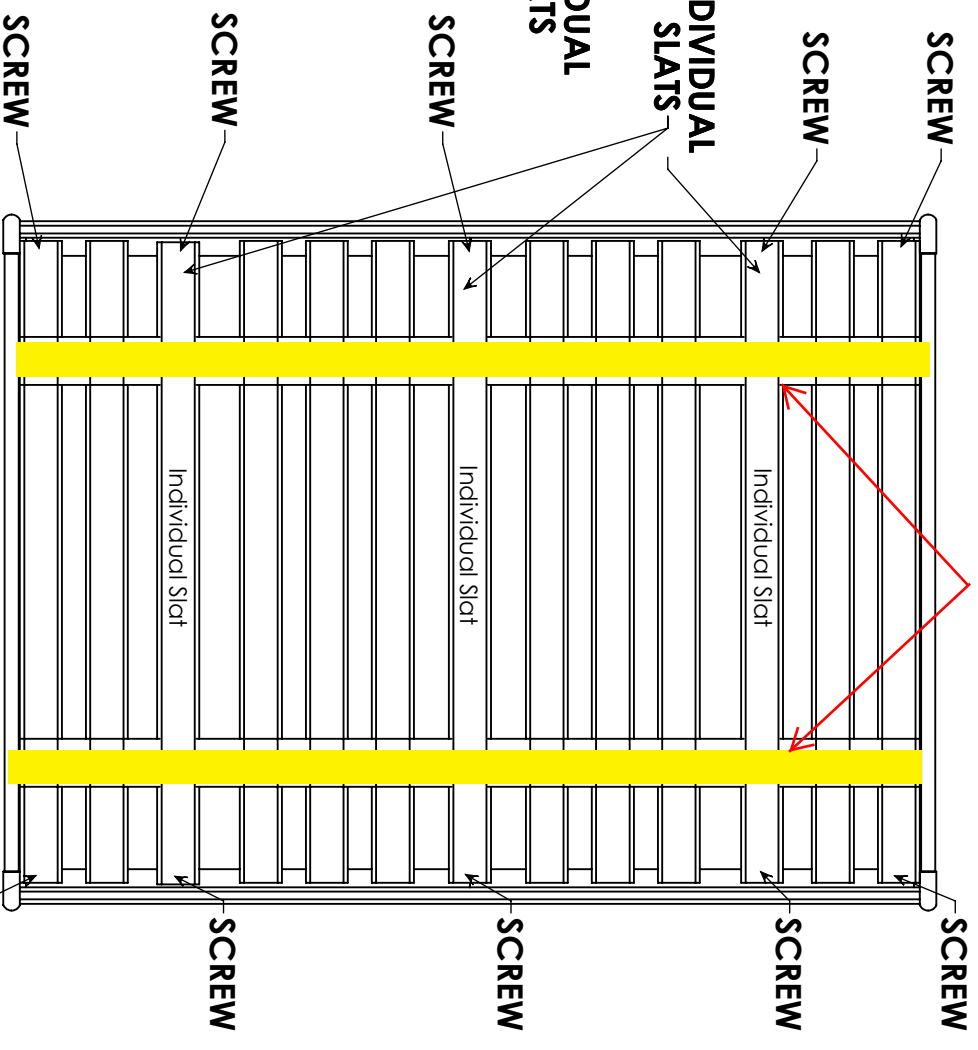
**Make sure you have all parts before beginning assembly. If you need a part, contact Living Spaces.**

- 1) Attach two mattress rails (D) to end assemblies(C) with 8 lag bolts and 8 washers, and tighten. The height of the mattress rails is adjustable.
- 2) **Roll out Slat Kit and stretch from end to end. Secure with 4 wood screws, on the ends of each of the outermost slats, one in each corner of the bed. Center 3 individual slats in the 3 gaps built into the Slat kit and secure with 6 wood screws, one at each end of the individual slats.**
- 3) Seat caster inserts fully in bottom of end assemblies, and snap casters in place by pressing the metal posts into the plastic inserts in the bottom of ends.
- 4) Add mattress and sleep well!

When used with a slot roll, the three individual slats should be placed evenly in the gaps and underneath the strapping before fastening.



Installation of individual slats for use with Bunkie Board  
(Bunkie Board sold separately)  
See your retailer for purchase of Bunkie Board

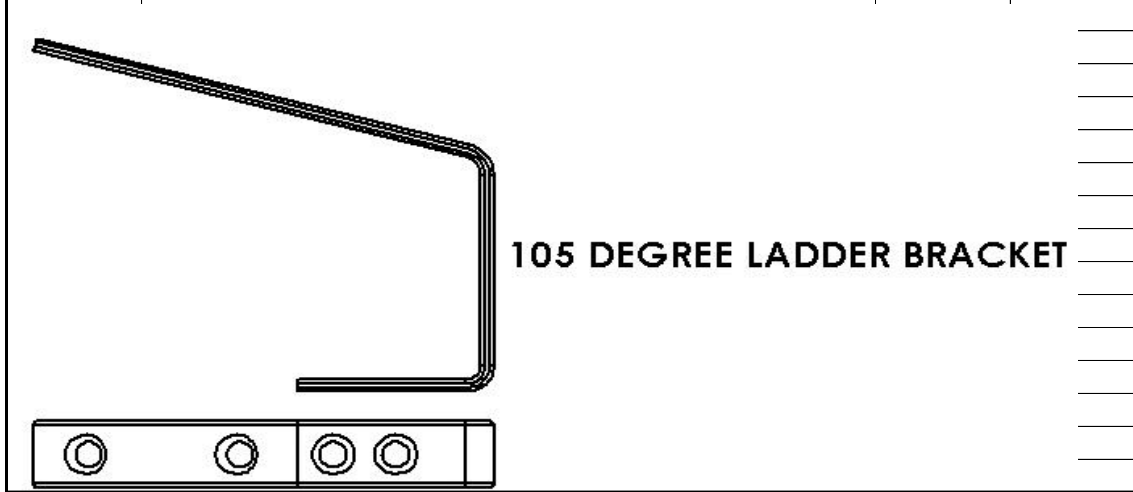


Installation of individual slats for use with Slot Roll  
(Slot roll sold separately)  
See your retailer for purchase of Slot Roll

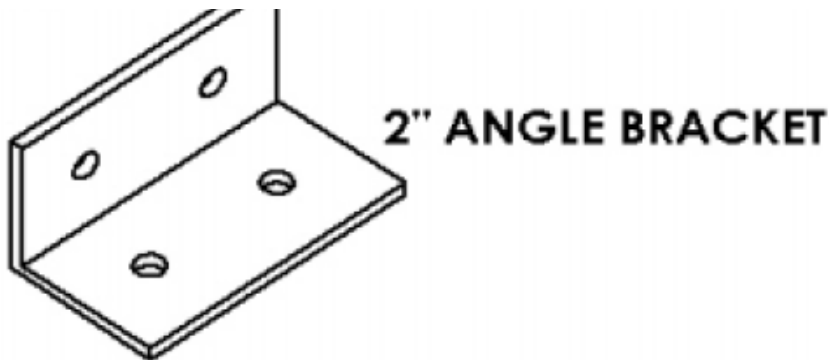


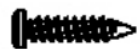
# 7030-00265 KIT

<b>MAS90: 5043-43345</b>			
<b>SUMMIT LADDER HARDWARE KIT</b>			
<b>QTY:</b>	<b>DESCRIPTION:</b>		
2	105 DEGREE LADDER BRACKET		
8	8 X 1 1/4" PH FLAT TSA ZINC		
8	2" x 1" CORNER BRACKET BLACK		
32	8 x 3/4" PHIL PAN ZINC		

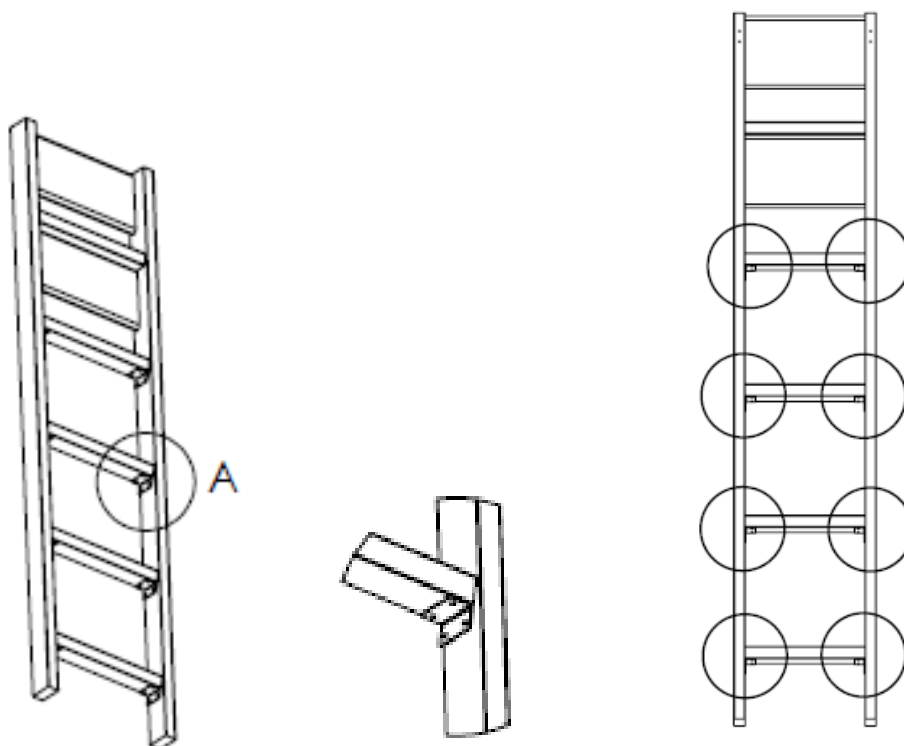


 #8 X 1 1/4" PHIL FLAT TSA ZINC SCREW



 8X3/4 PHIL PAN ZINC

## Bracket Ladder



### Parts List:

- A) 1 - Wooden Bunkbed Ladder
- B) 2 - 105 Degree Ladder Brackets
- C) 8 - Corner Brackets Black
- D) 8 - #8 x 1 1/4" PH Flat TSA Zinc Screws
- E) 32 - #8 x 3/4" PH Pan Zinc Screws

### Tools Required:

- 1) Phillips Head Screwdriver

## **Assembly Instructions:**

NOTE: Make sure you have all parts before beginning assembly. If you need a part, contact the dealer where you purchased your ladder.

- 1) Locate the pre-drilled holes in the ladder.
- 2) Attach the 105 degree brackets (B) short side out with 2 screws each (D), using the predrilled holes and tighten.
- 3) Determine the best placement for your ladder on the top bunk, being mindful of your child's accessibility and safety.
- 4) Secure ladder brackets to guard rail with 2 screws (D) and tighten.

## **Optional Assembly:**

This ladder is built of solid wood and built exclusively for carefully climbing into and out of an upper bunk. Caution should be taught and monitored to avoid unintentional damages to both the ladder, and more importantly, your child. Misuse (accidental or otherwise) of the ladder can cause rungs to dislodge and screws to become exposed, resulting in scrapes, cuts, or other such injury.

This ladder is shipped with 8 - corner brackets and 32 -  $\frac{3}{4}$ " screws to add extra support to the bottom four ladder rungs. They should be attached according to the provided drawings. One per side, on the underside of each of the bottom four rungs. Corner bracket installation is optional, but we recommend it.