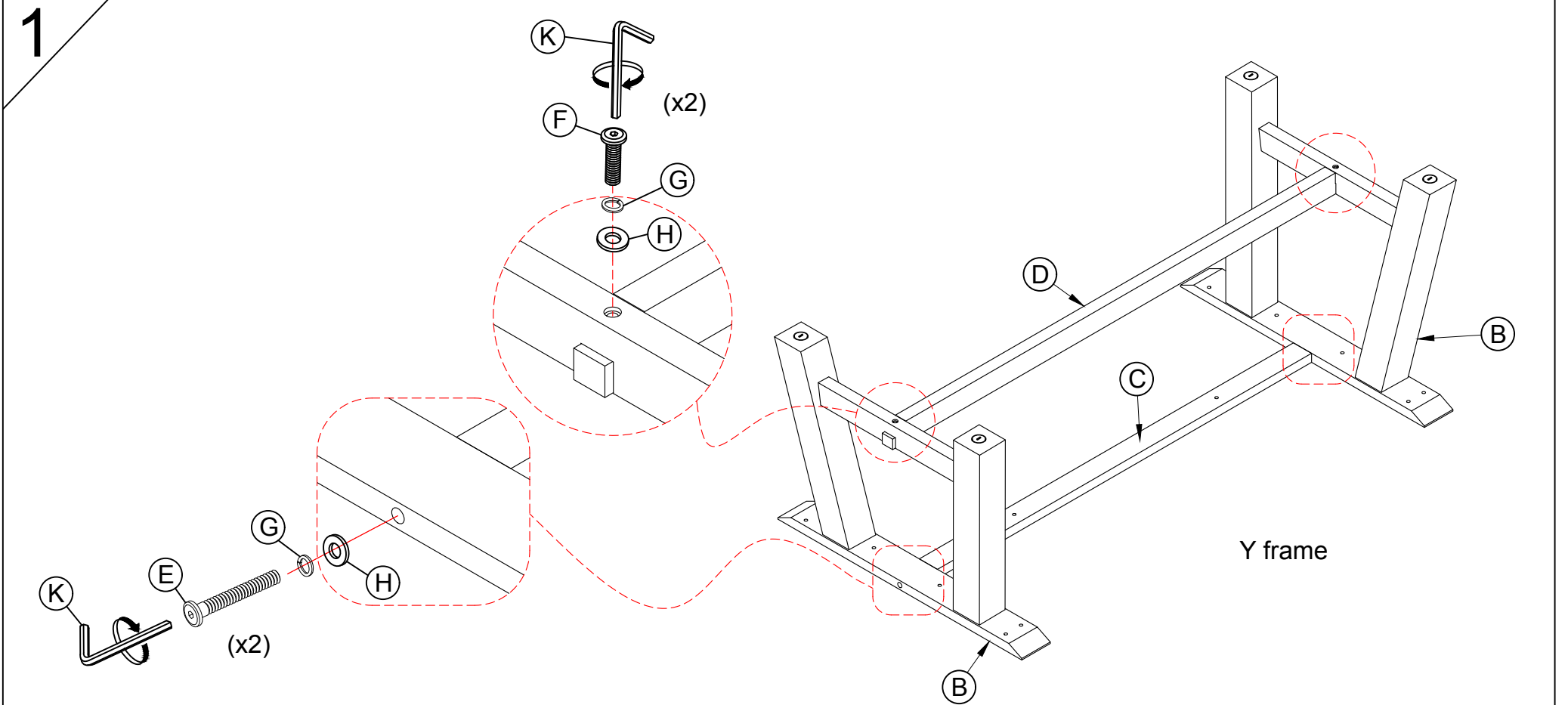


No.	DESCRIPTION	IMAGE	QTY
A	TABLE TOP		1
B	LEGS FRAME		2
C	SUPPORT BAR		1
D	CROSS BAR		1
E	BOLT M6X90		2
F	BOLT M6X50		16
G	SPRING WASHER M6		18
H	FLAT WASHER M6/Ø14		4
I	FLAT WASHER M6/Ø19		14
K	ALLEN KEY M4(50x70mm)		1



NOTE: PO# is located underneath/ at the back panel of each item. Please be prepared to provide this # should any claim be necessary.

CAUTION: Item is heavy. Assembly should be performed by two people.

