

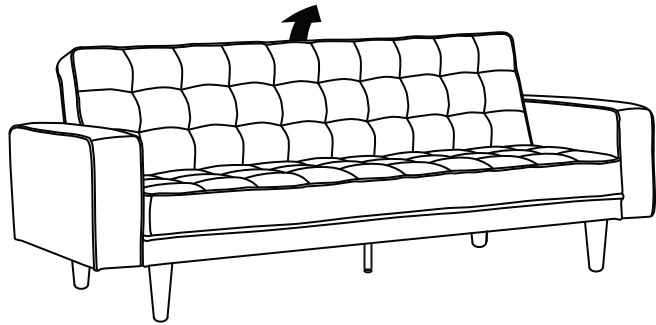
OPERATING YOUR UNIT

CONVERTING TO SOFA / LOUNGER / BED

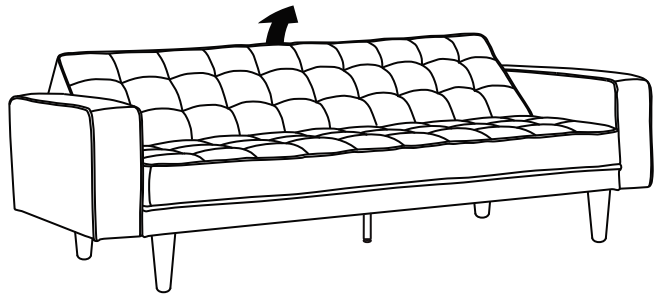
Standing at the side of the unit (from bed position), lift backrest to the desired position and secure in place by releasing to the sound of a click.



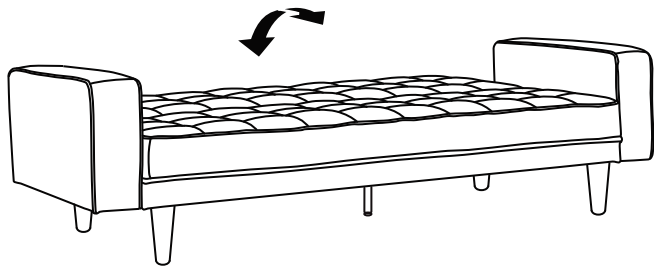
LIVING SPACES



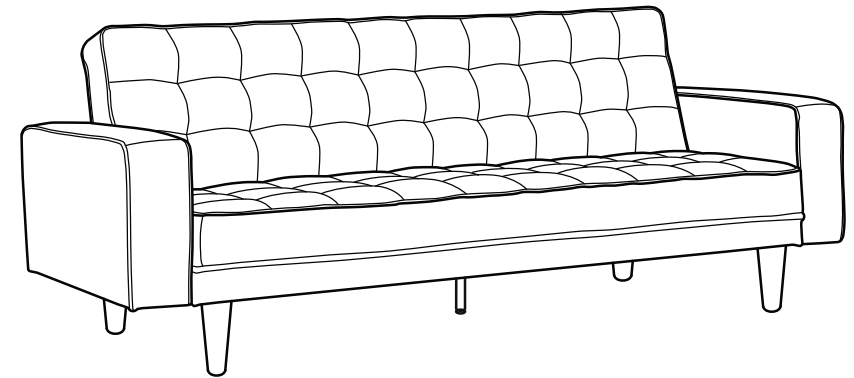
SOFA



LOUNGER



BED






PETULA II-SOFA CONVERTIBLE ASSEMBLY INSTRUCTIONS

IMPORTANT, RETAIN FOR FUTURE REFERENCE: READ CAREFULLY

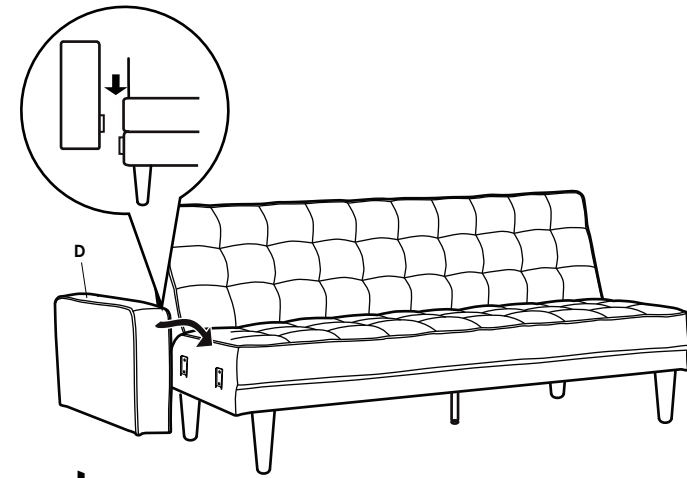
PARTS AND HARDWARE

IMPORTANT

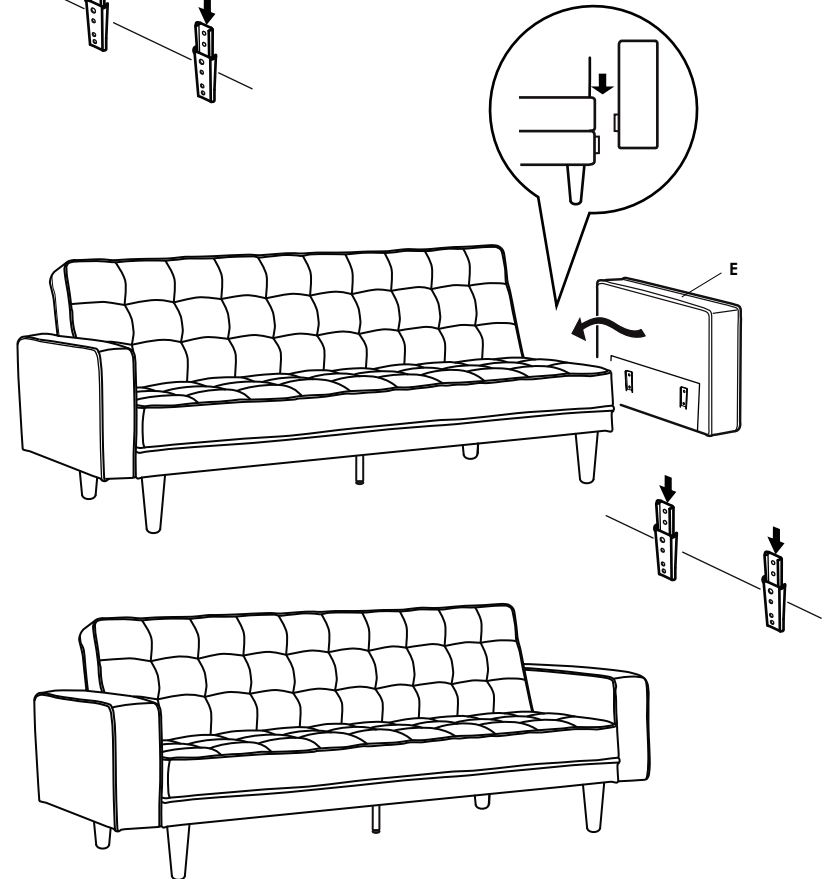
- Avoid using sharp objects to open packaging as you may accidentally damage the product.
- Please read complete instruction sheet prior to assembly.
- Minimum 2 adults required to safely perform assembly process.

PART #	PART SKU#	PART DESCRIPTION	QUANTITY
A	MSL-1029		4
B	WL-1014		1
C	PW-M8		4

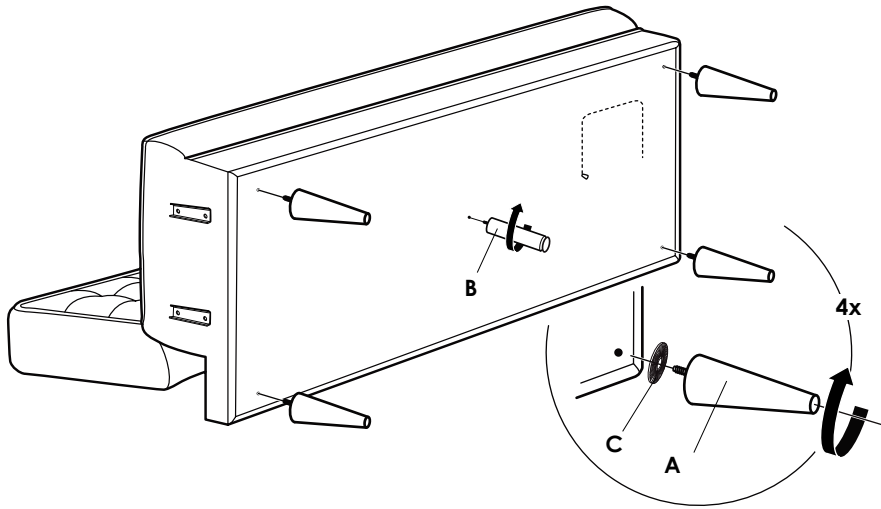
5



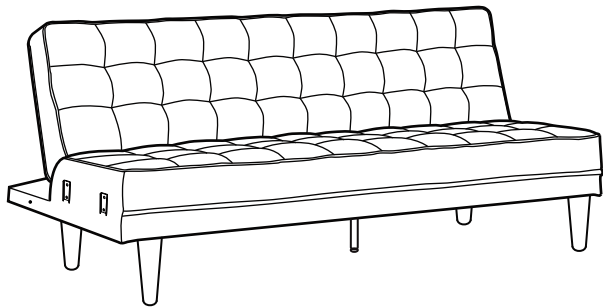
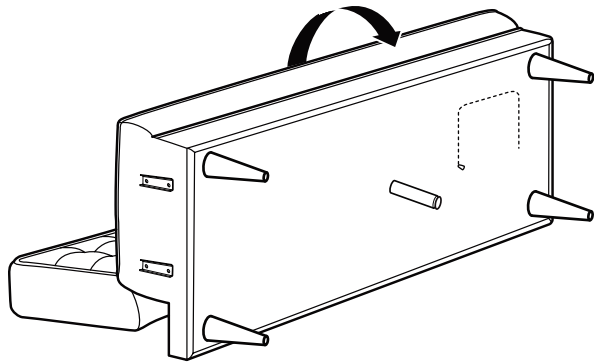
6

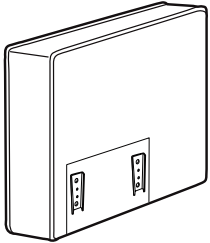
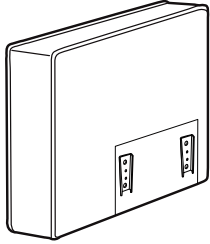
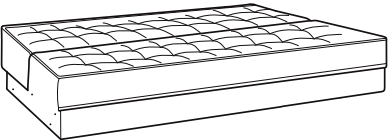


3

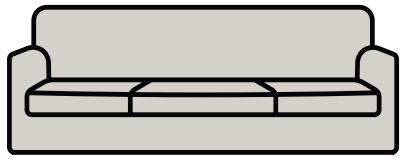


4

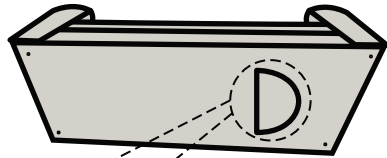


PART #	PART SKU#	PART DESCRIPTION	QUANTITY
D	N/A	 Left	1
E	N/A	 Right	1
F	N/A		1

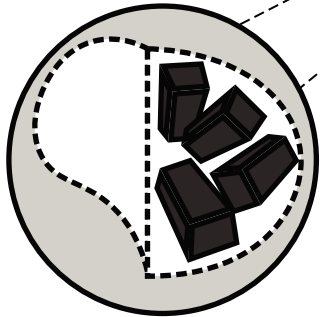
How to Find Your Furniture Legs Cómo encontrar las patas de su mueble



Gently lay sofa/love seat on it's back
Coloque suavemente el sofá o el sofá de dos plazas sobre su respaldo



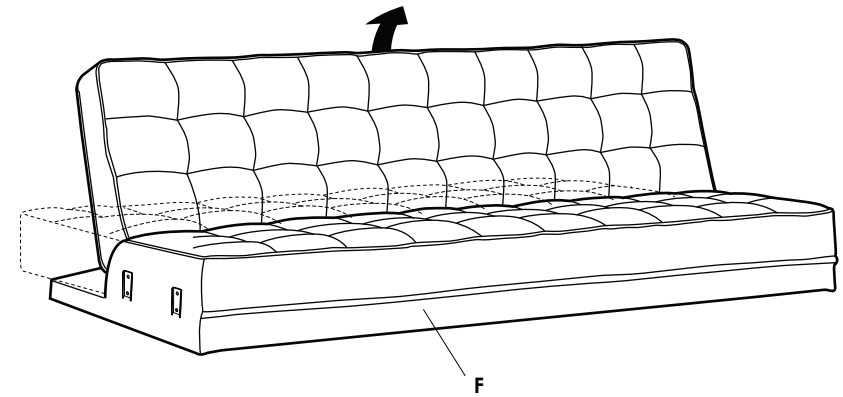
Locate the compartment underneath sofa/love seat
Encuentre el compartimento debajo del sofá



Open compartment to locate upholstery legs and assembly instructions
Habr  el compartimento para localizar las patas del sof  y las instrucciones de asamblea

ASSEMBLY INSTRUCTIONS

1



2

Parts and hardware storage compartment

