

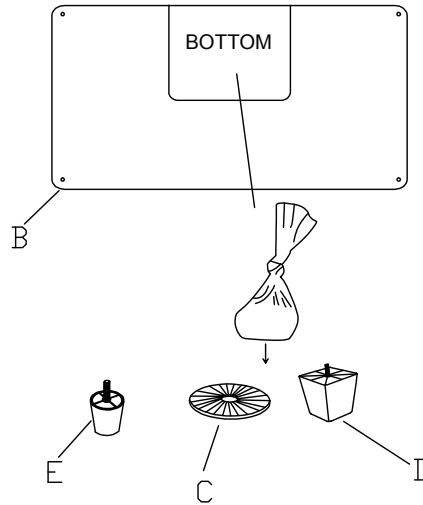
PARTS LIST

| No. | DESCRIPTION | IMAGE | Q'TY |
|-----|--------------|-------|------|
| A | BACK CUSHION | | 2 |
| B | SOFA SEAT | | 1 |
| C | WASHER | | 5 |
| D | PLASTIC LEG | | 4 |
| E | MIDDLE LEG | | 1 |

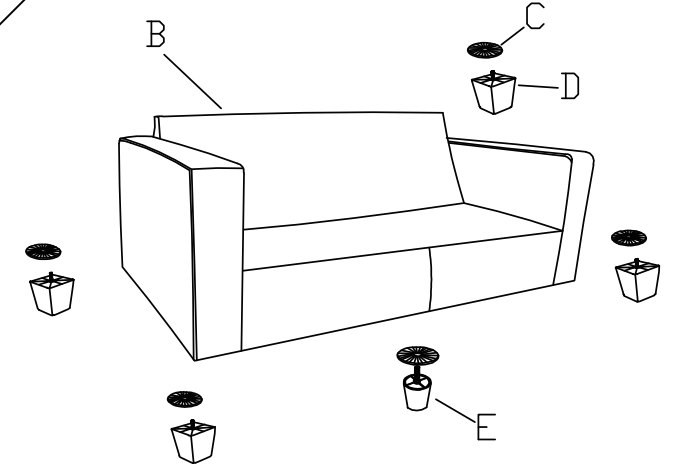
NOTE: PO # is located underneath/ at the back side of each item. Please be prepared to provide this # should any claim be necessary.

CAUTION: Item is heavy. Assembly should be performed by two people.

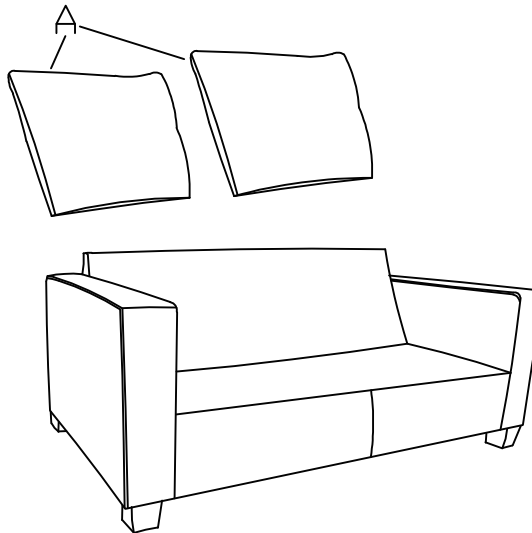
1



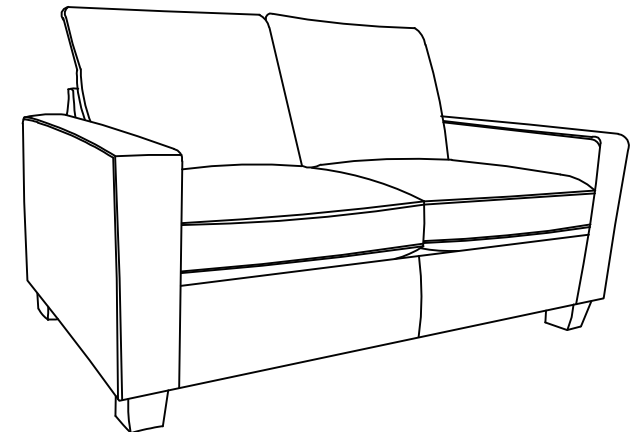
2



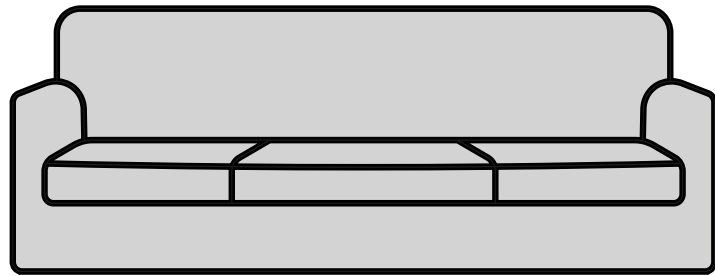
3



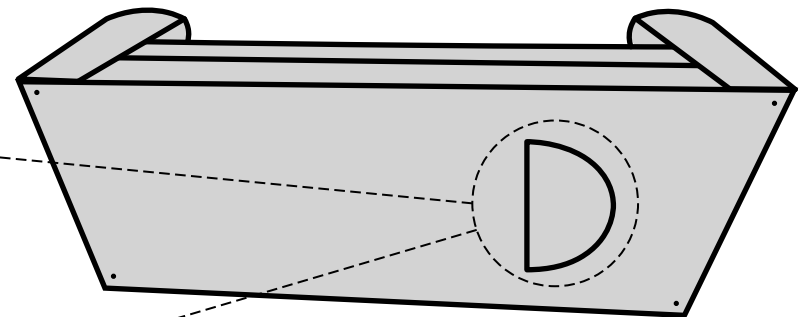
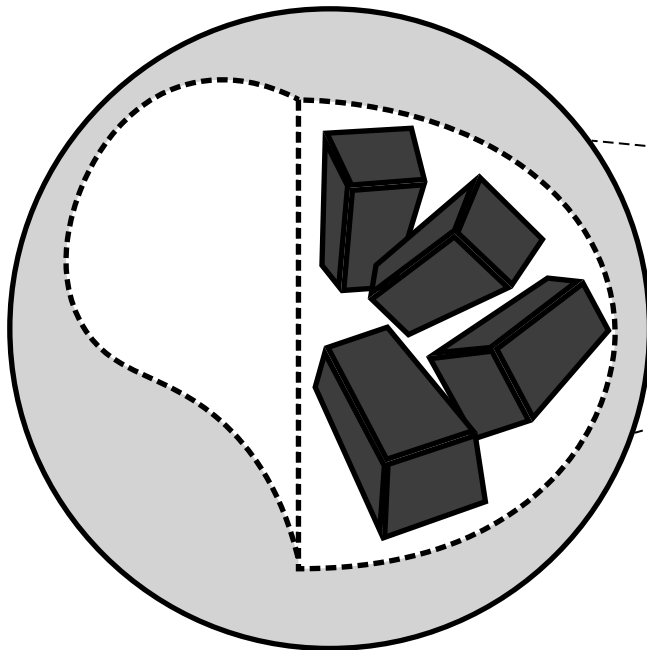
4



How to Find Your Furniture Legs *Cómo encontrar las patas de su mueble*



Gently lay sofa/love seat on it's back
Coloque suavemente el sofá o el sofá de dos plazas sobre su respaldo



Locate the compartment underneath sofa/love seat
Encuentre el compartimento debajo del sofá

Open compartment to locate upholstery legs and assembly instructions
Habr  el compartimento para localizara las patas del sof  y las instrucciones de asamblea