

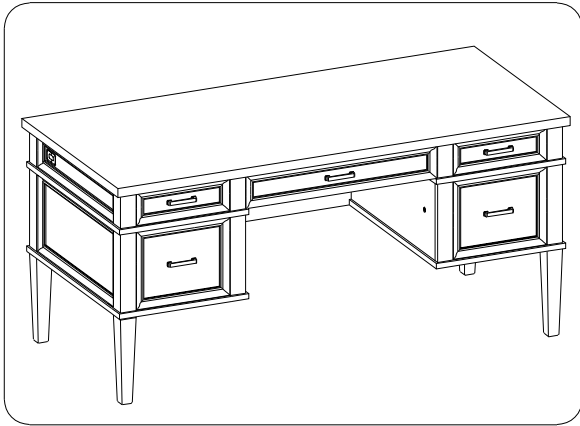


# LIVING SPACES

# ASSEMBLY INSTRUCTIONS

ITEM NO: IB248-371 Half Ped Desk

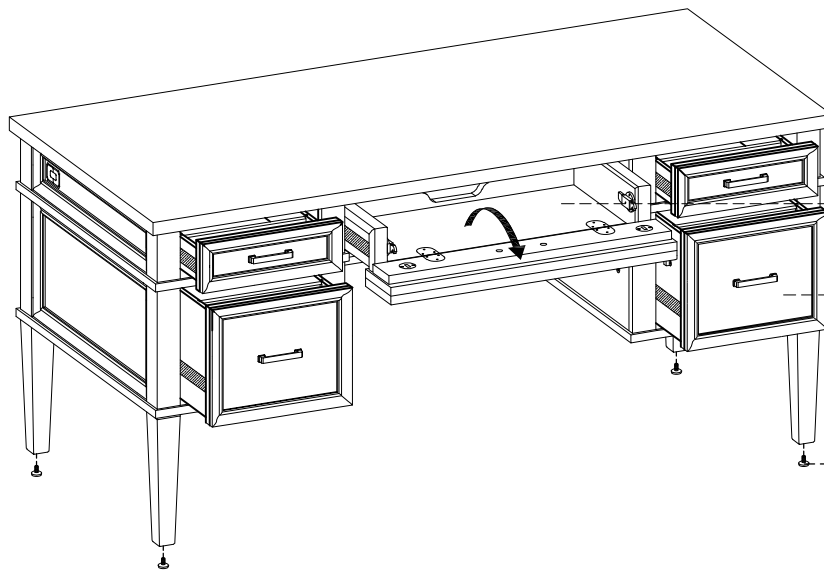
Thank you for purchasing this quality product. Be sure to check all packing material carefully for small parts that may come loose inside the carton during shipment.



TOOLS REQUIRED (NOT PROVIDED)

PHILLIPS SCREWDRIVER

## FUNCTIONALITY INSTRUCTION

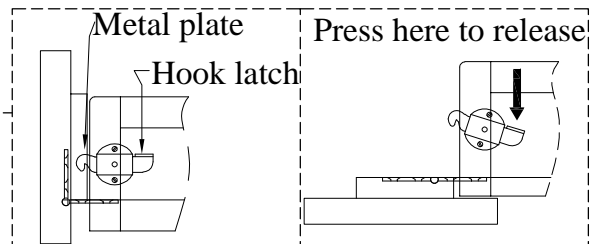
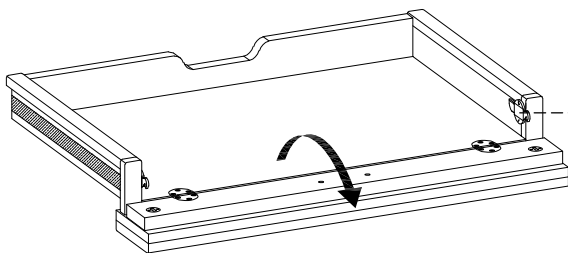


Flip down keyboard tray

Locking file drawers hold letter or legal size files

Leveler on legs

Adjust the leveler when necessary



BEFORE USING THIS PRODUCT PLEASE READ, UNDERSTAND, AND FOLLOW THESE INSTRUCTIONS. Save these instructions for future reference.

FOR INDOOR USE ONLY