

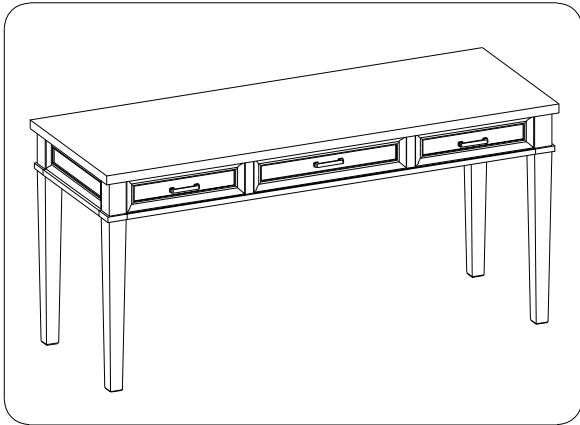


LIVING SPACES

ASSEMBLY INSTRUCTIONS

ITEM NO: IB248-3064 Writing Desk

Thank you for purchasing this quality product. Be sure to check all packing material carefully for small parts that may come loose inside the carton during shipment.

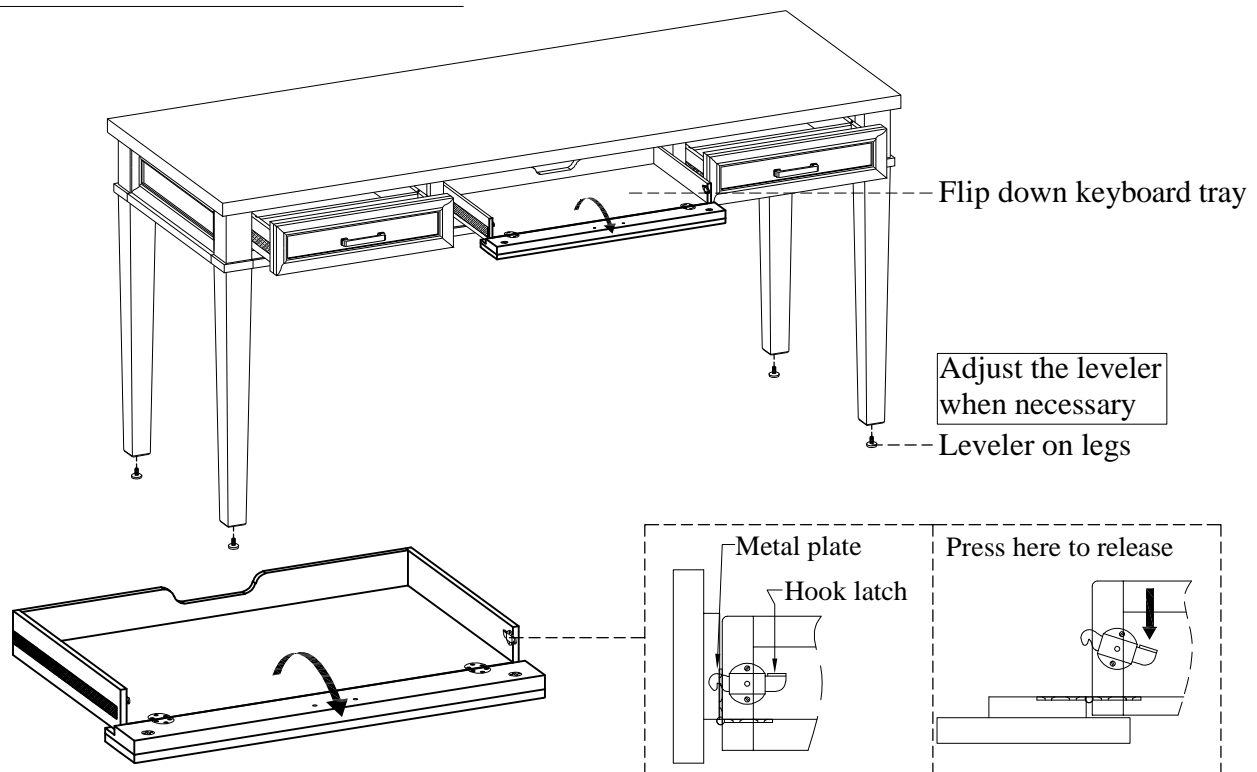


TOOLS REQUIRED (NOT PROVIDED)
PHILLIPS SCREWDRIVER

HARDWARE LIST:			
No.	Description	Sketch	Quantity
A	Bolt Ø1/4" x 2-1/4"		8 PCS
B	Lock Washer Ø1/4"		8 PCS
C	Flat Washer Ø1/4" x 3/4"		8 PCS
D	Allen Wrench 4mm		1 PC

COMPONENTS LIST:			
No.	Description	Sketch	Quantity
1	Desk Top		1 Set
2	Leg		4 PCS

FUNCTIONALITY INSTRUCTION



BEFORE USING THIS PRODUCT PLEASE READ, UNDERSTAND, AND FOLLOW THESE INSTRUCTIONS.
Save these instructions for future reference.

FOR INDOOR USE ONLY



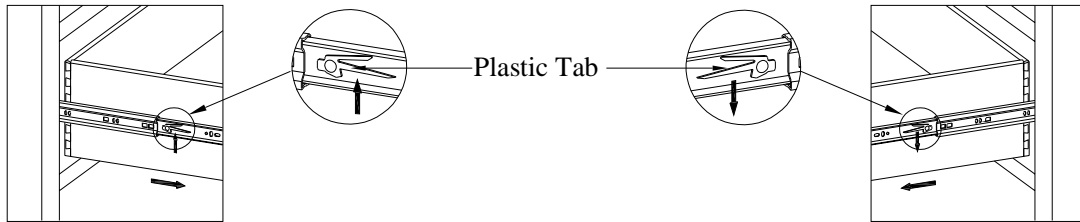
LIVING SPACES

ASSEMBLY INSTRUCTIONS

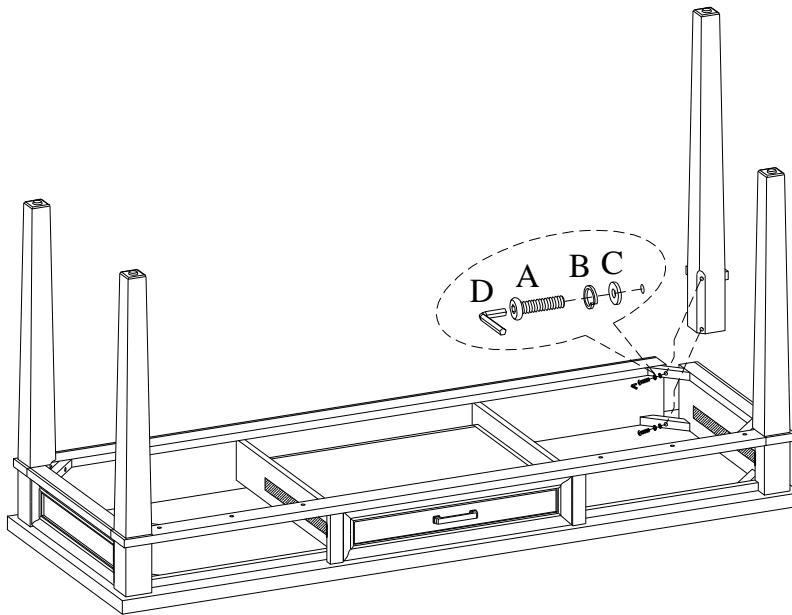
ITEM NO: IB248-3064 Writing Desk

To dis-assemble desk (If necessary):

STEP 1: Remove both left and right drawers from the desk: Fully extend the drawer, then press the plastic tab down on the right and up on the left at the same time as shown below. While holding the tabs pressed down/up, pull the drawer out.



STEP 2: Put the desk top face down on a soft surface. Attach the legs to desk top by using 8 bolts(A), lock washers(B) and flat washers(C). Then use an allen wrench to tighten all the bolts. Turn the assembled desk to the upright position.



STEP 3: Replace both left and right drawers in desk: Fully extend the slides from the case. Then align the slides on the drawer to the slides on the case as shown. Push the drawer back in. You may have to slide the drawer in and out several times in order to properly align the ball bearings.

