



LIVING SPACES

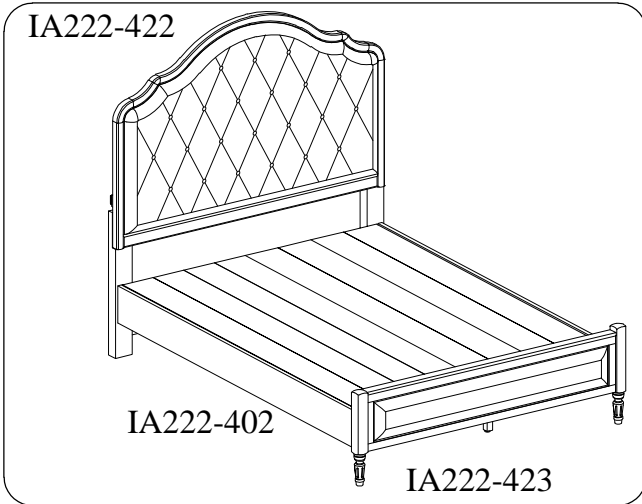
ASSEMBLY INSTRUCTIONS

ITEM NO: IA222-422 Queen Uph HB
 IA222-402 Queen Rails w/ Decking
 IA222-423 Queen Low Profile FB

Thank you for purchasing this quality product. Be sure to check all packing material carefully for small parts that may come loose inside the carton during shipment.



UNIT SHOULD BE INSTALLED BY 2 OR MORE PERSONS.



All Beds need to be set up in the exact final location so that after full assembly it will not need to be moved. Moving the bed will cause the support legs to move out of perpendicular (90 degree), weaken the support system, and may allow the bed to collapse.

TOOLS REQUIRED (NOT PROVIDED)
PHILLIPS SCREWDRIVER

HARDWARE LIST: IA222-422			
No.	Description	Sketch	Quantity
A	Bolt Ø5/16" x 1-1/2"		10 PCS
B	Lock Washer Ø5/16"		10 PCS
C	Flat Washer Ø5/16" x 3/4"		10 PCS
D	Allen Wrench M4		1 PC

COMPONENTS LIST: IA222-422			
No.	Description	Sketch	Quantity
1	Headboard		1 PC
2	Left Leg		1 PC
3	Right Leg		1 PC
4	Wood Stretcher		1 PC

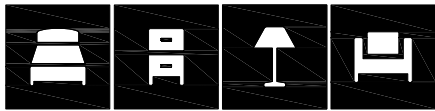
HARDWARE LIST: IA222-402			
No.	Description	Sketch	Quantity
E	Hanger Bolt Ø5/16" x 3"		8 PCS
F	Half Moon Washer Ø5/16"		8 PCS
G	Hex Nut Ø5/16"		8 PCS
H	Hex Wrench 13mm		1 PC
I	Wood Screw #4 x 1-1/4"		8 PCS
J	Wood Screw #4 x 3/4"		16 PCS

COMPONENTS LIST: IA222-402			
No.	Description	Sketch	Quantity
1	Bed rails		2 PCS
2	Slats		4 PCS
3	Decking		8 PCS

COMPONENTS LIST: IA222-423			
No.	Description	Sketch	Quantity
1	Footboard		1 PC
2	Support Leg (for slats)		4 Set

BEFORE USING THIS PRODUCT PLEASE READ, UNDERSTAND, AND FOLLOW THESE INSTRUCTIONS. Save these instructions for future reference.

FOR INDOOR USE ONLY

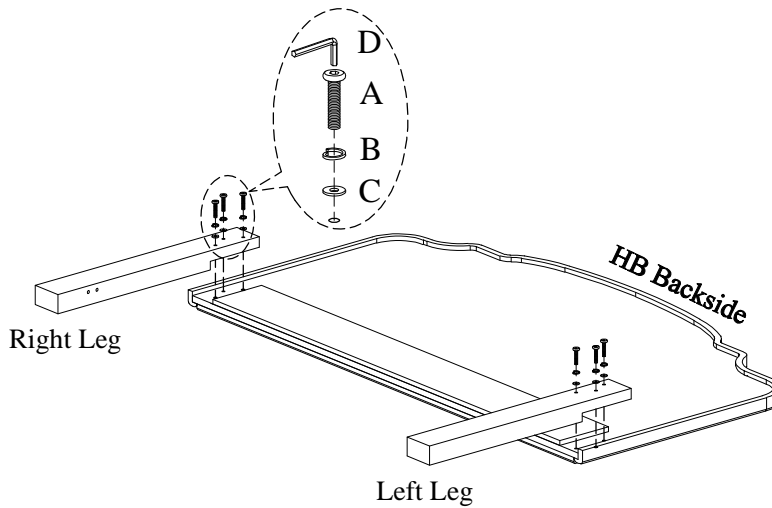


LIVING SPACES

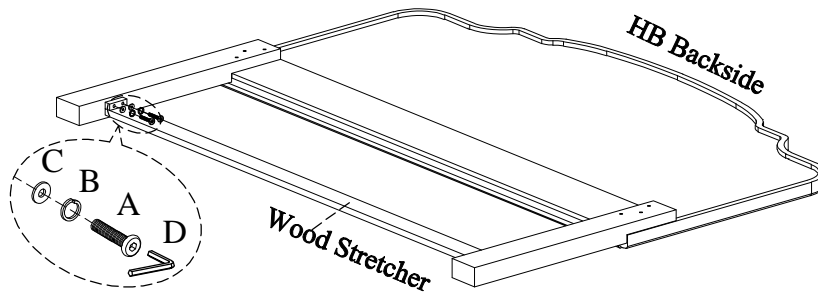
ASSEMBLY INSTRUCTIONS

ITEM NO: IA222-422 Queen Uph HB
IA222-402 Queen Rails w/ Decking
IA222-423 Queen Low Profile FB

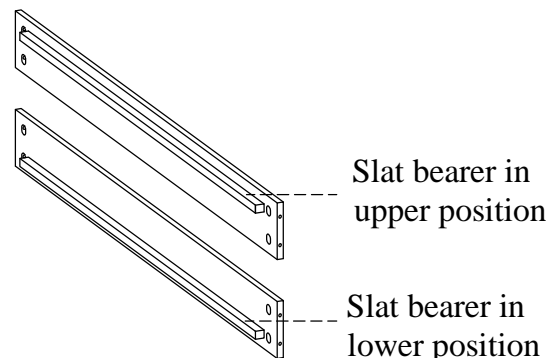
STEP 1: Lay the headboard face down on a soft surface. Attach the left leg and right leg to headboard by using 6 bolts(A), lock washers(B) and flat washers(C).

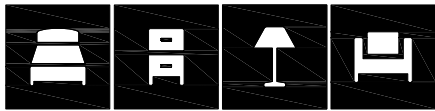


STEP 2: Attach the wood stretcher to the legs by using 4 bolts(A), lock washers(B) and flat washers(C).



STEP 3: The side rails may be used on either side. Arrange the side rails so the slat bearers are in UPPER POSITION prior to attachment as OPTION 1 and the slat bearers are in LOWER POSITION prior to attachment as OPTION 2.





LIVING SPACES

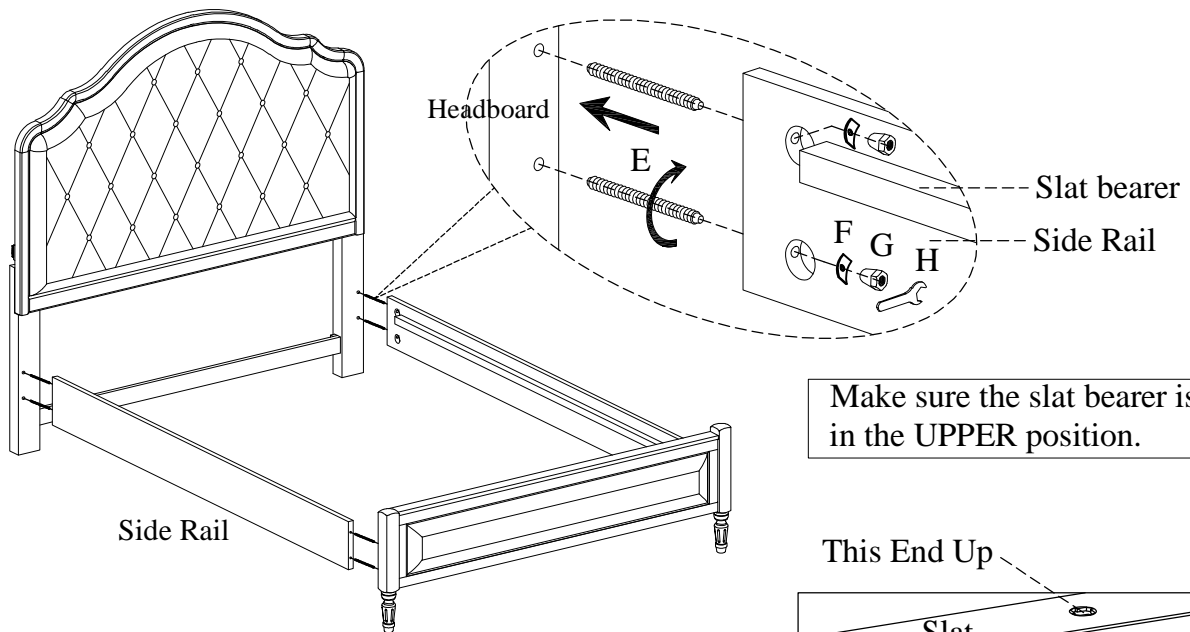
ASSEMBLY INSTRUCTIONS

ITEM NO: IA222-422 Queen Uph HB
 IA222-402 Queen Rails w/ Decking
 IA222-423 Queen Low Profile FB

NOTE: Use Option 2 if using an adjustable base with legs.

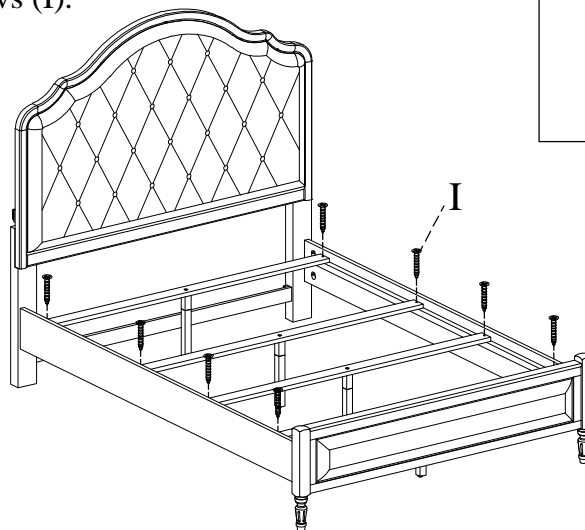
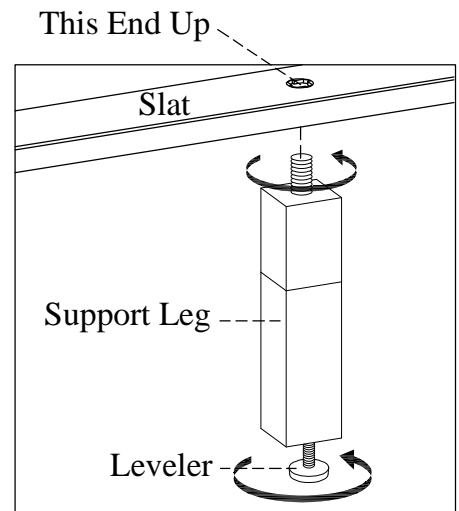
OPTION 1: The side rails may be used on either side. Arrange the side rails so the slat bearers are in UPPER POSITION prior to attachment in STEP 4.

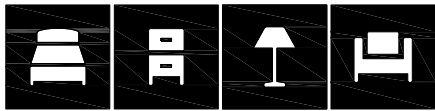
STEP 4: Screw the bolts(E) into HB & FB. Make sure the slat bearer is in the UPPER position. Align the bolts with the holes in the end of side rails and attach the side rails to HB & FB using half moon Washer(F) and hex nuts (G). Then use a hex wrench to tighten all the nuts.



STEP 5: Attach the support legs with leveler to the slats. Adjust the levelers on bottom of support legs when necessary.

STEP 6: Arrange slats on the slat bearers and then lay the decking on top of the slats. Make sure the top and bottom slats are situated underneath the pre-drilled holes as shown in STEP 7. Remove the decking and attach slats to the slat bearers with wood screws (I).



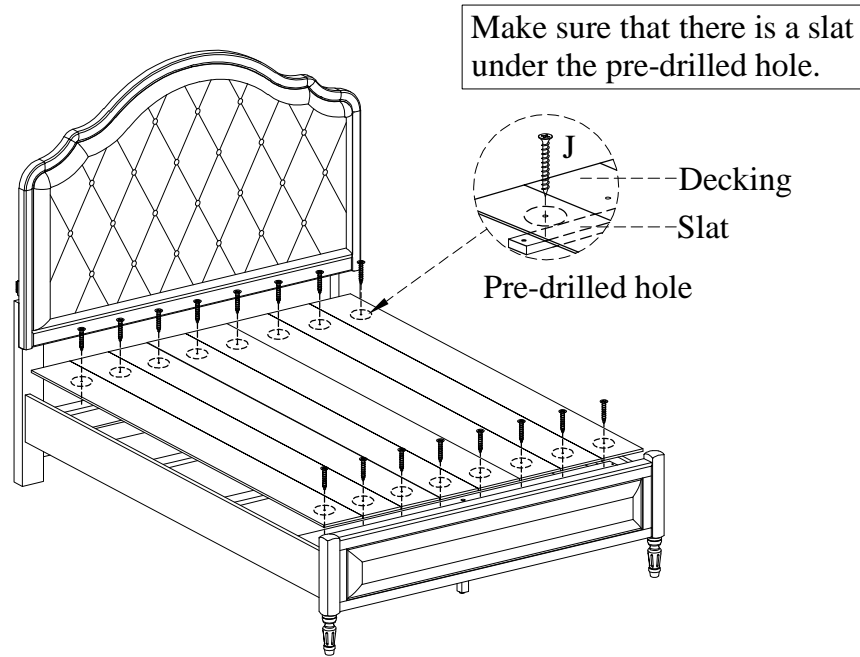


LIVING SPACES

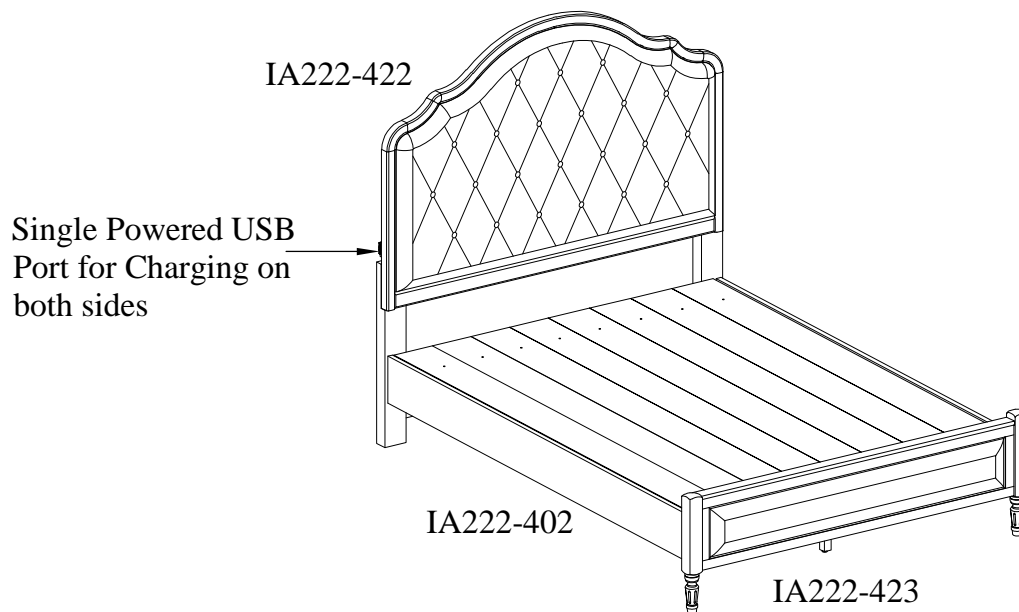
ASSEMBLY INSTRUCTIONS

ITEM NO: IA222-422 Queen Uph HB
 IA222-402 Queen Rails w/ Decking
 IA222-423 Queen Low Profile FB

STEP 7: Put the decking over the slats, secure decking to the slats with wood screws (J) through the pre-drilled holes in the decking as shown below.



FUNCTIONALITY INSTRUCTION





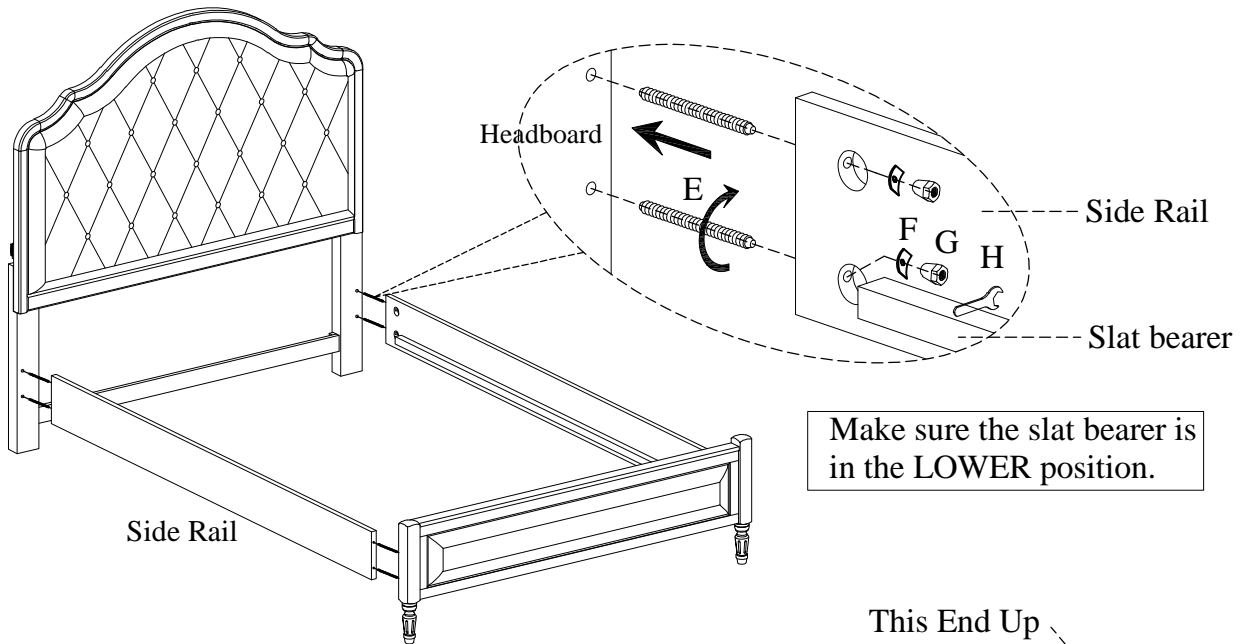
LIVING SPACES

ASSEMBLY INSTRUCTIONS

ITEM NO: IA222-422 Queen Uph HB
 IA222-402 Queen Rails w/ Decking
 IA222-423 Queen Low Profile FB

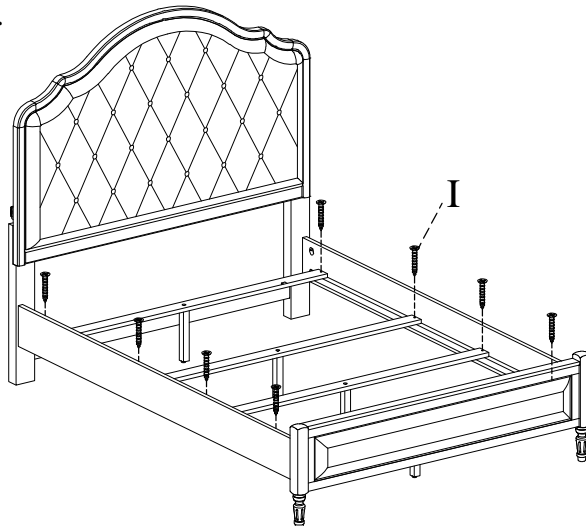
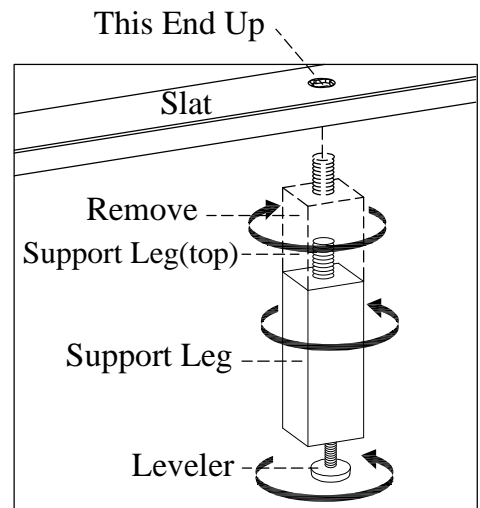
OPTION 2: The side rails may be used on either side. Arrange the side rails so the slat bearers are in LOWER POSITION prior to attachment in STEP 4.

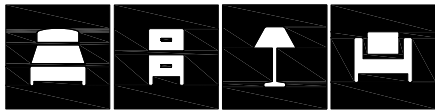
STEP 4: Screw the bolts(E) into HB & FB. Make sure the slat bearer is in the LOWER position. Align the bolts with the holes in the end of side rails and attach the side rails to HB & FB using half moon Washer(F) and hex nuts (G). Then use a hex wrench to tighten all the nuts.



NOTE: Skip Steps 5-7 if using an adjustable base with legs.
STEP 5: Remove the support legs (top) as shown in the picture to the right. Attach the support legs with leveler to the slats. Adjust the levelers on bottom of support legs when necessary.

STEP 6: Arrange slats on the slat bearers and then lay the decking on top of the slats. Make sure the top and bottom slats are situated underneath the pre-drilled holes as shown in STEP 7. Remove the decking and attach slats to the slat bearers with wood screws (I).



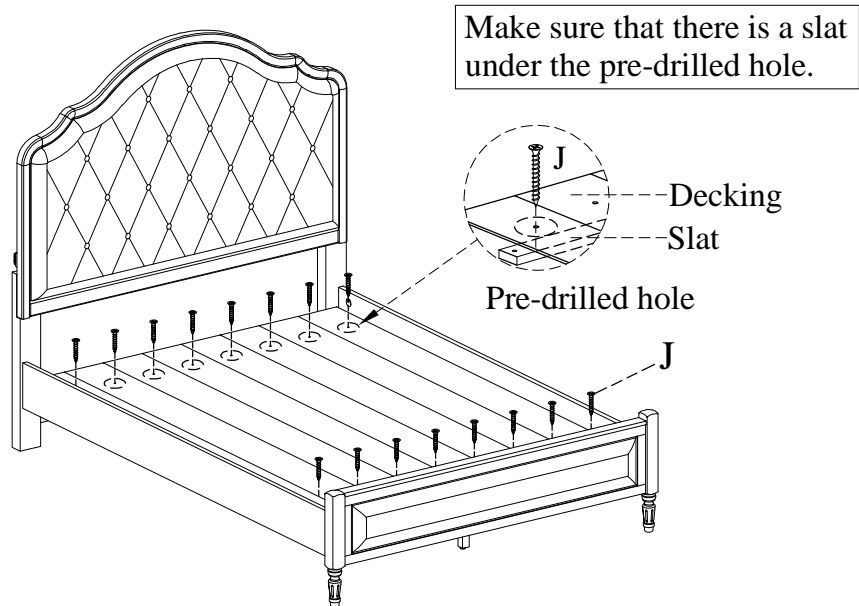


LIVING SPACES

ASSEMBLY INSTRUCTIONS

ITEM NO: IA222-422 Queen Uph HB
 IA222-402 Queen Rails w/ Decking
 IA222-423 Queen Low Profile FB

STEP 7: Put the decking over the slats, secure decking to the slats with wood screws (J) through the pre-drilled holes in the decking as shown below.



FUNCTIONALITY INSTRUCTION

