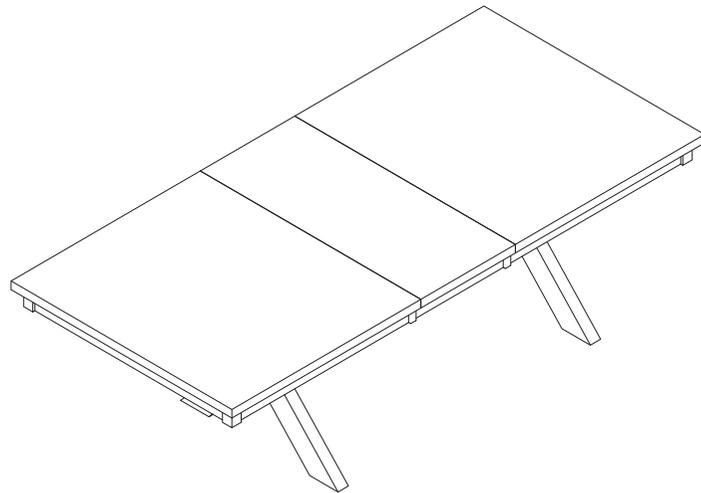




Scan QR code to
view assembly video

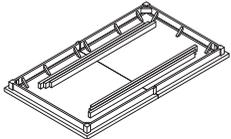
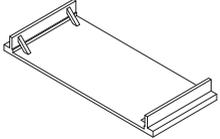
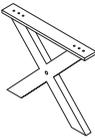
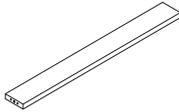
POLLIE 72"-90" EXT. DINING TABLE



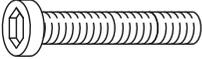
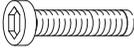
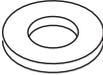
RS -2023-T60/ 267682



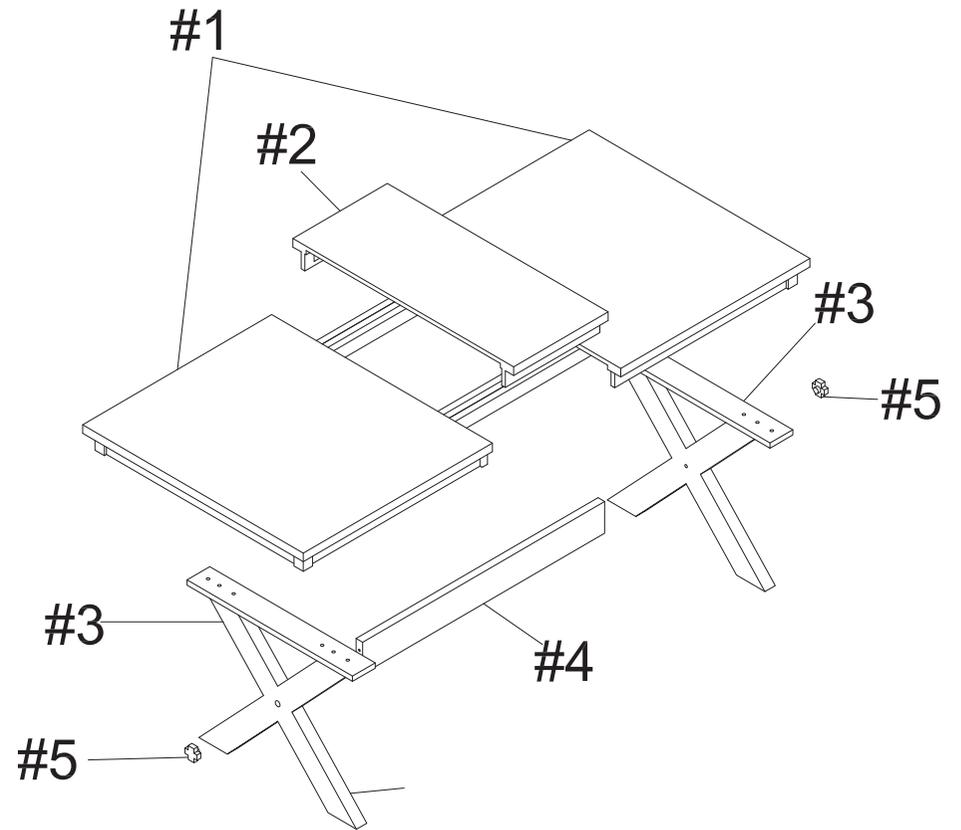
PART LIST

| | | | |
|----|---|----------------|----|
| #1 |  | Table Top | X1 |
| #2 |  | Table Leaf | X1 |
| #3 |  | Leg | X2 |
| #4 |  | Center Support | X1 |
| #5 |  | Cap | X2 |

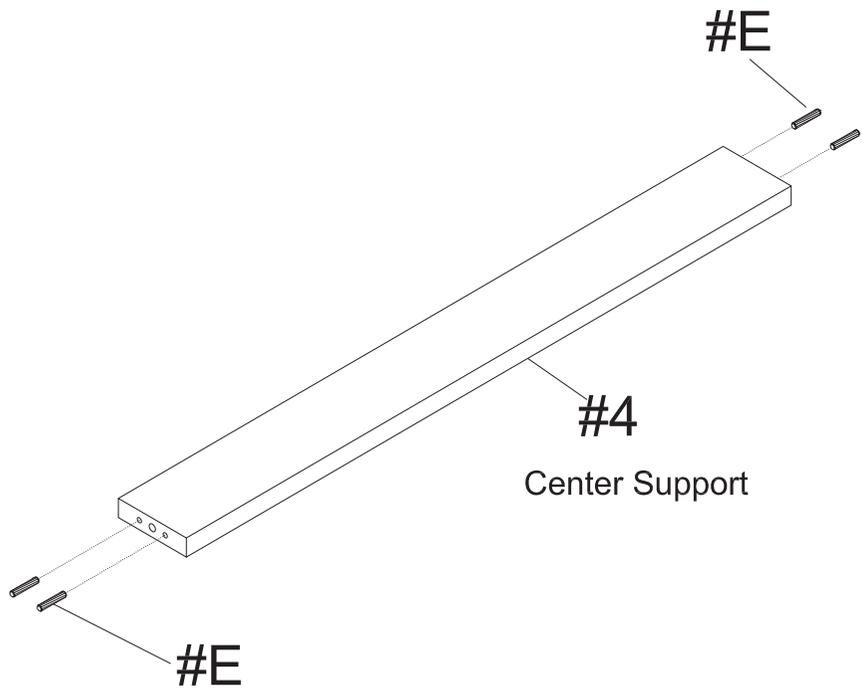
HARDWARE

| | | |
|----|---|---|
| #A |  | Blot $\text{Ø}\frac{5}{16}$ "x50mm X2 |
| #B |  | Blot $\text{Ø}\frac{5}{16}$ "x35mm X8 |
| #C |  | Flat Washer $\text{Ø}\frac{5}{16}$ " X10 |
| #D |  | Spring Washer $\text{Ø}\frac{5}{16}$ " X10 |
| #E |  | Wooden Pegs $\text{Ø}8$ x30mm X4 |
| #F |  | Allen Key $\text{Ø}5$ mm X1 |

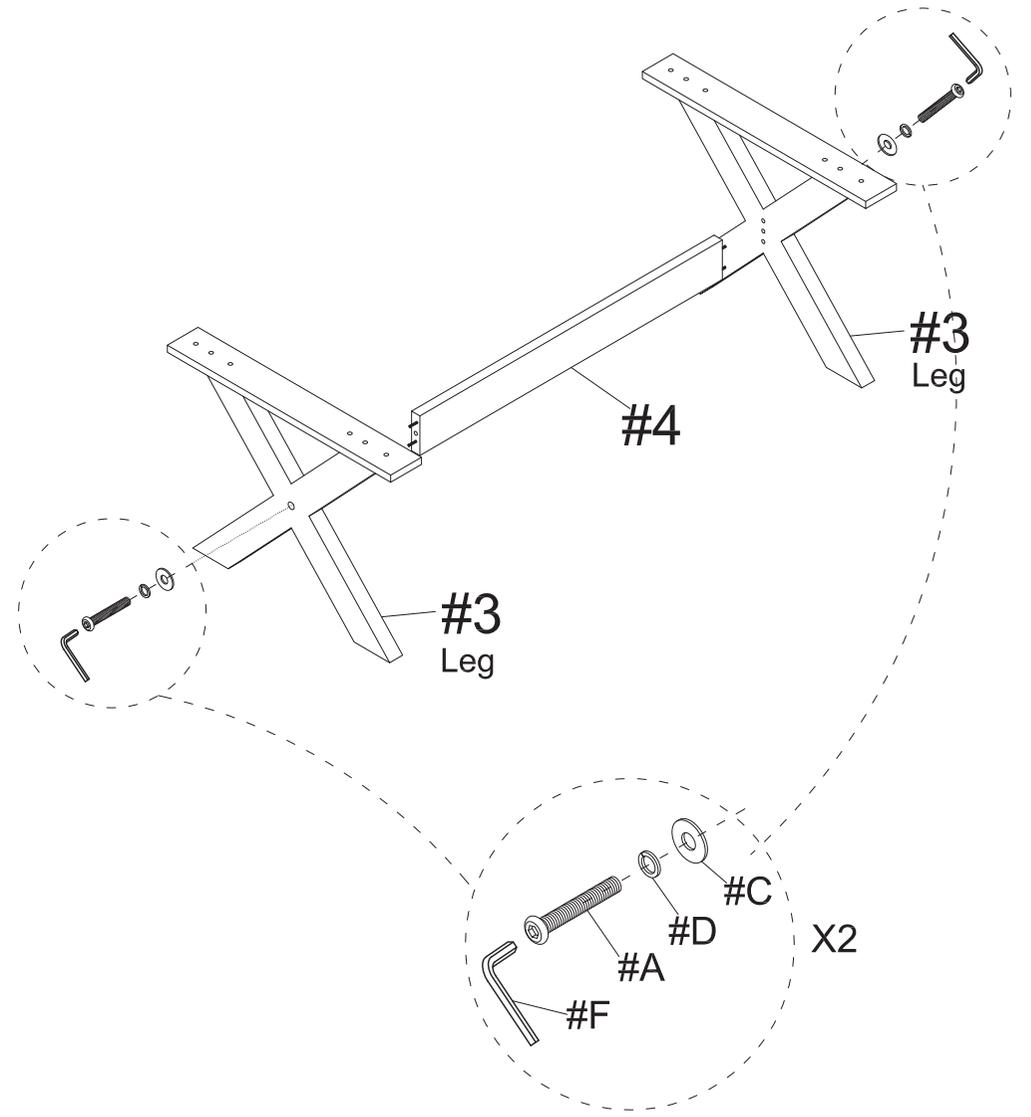
1



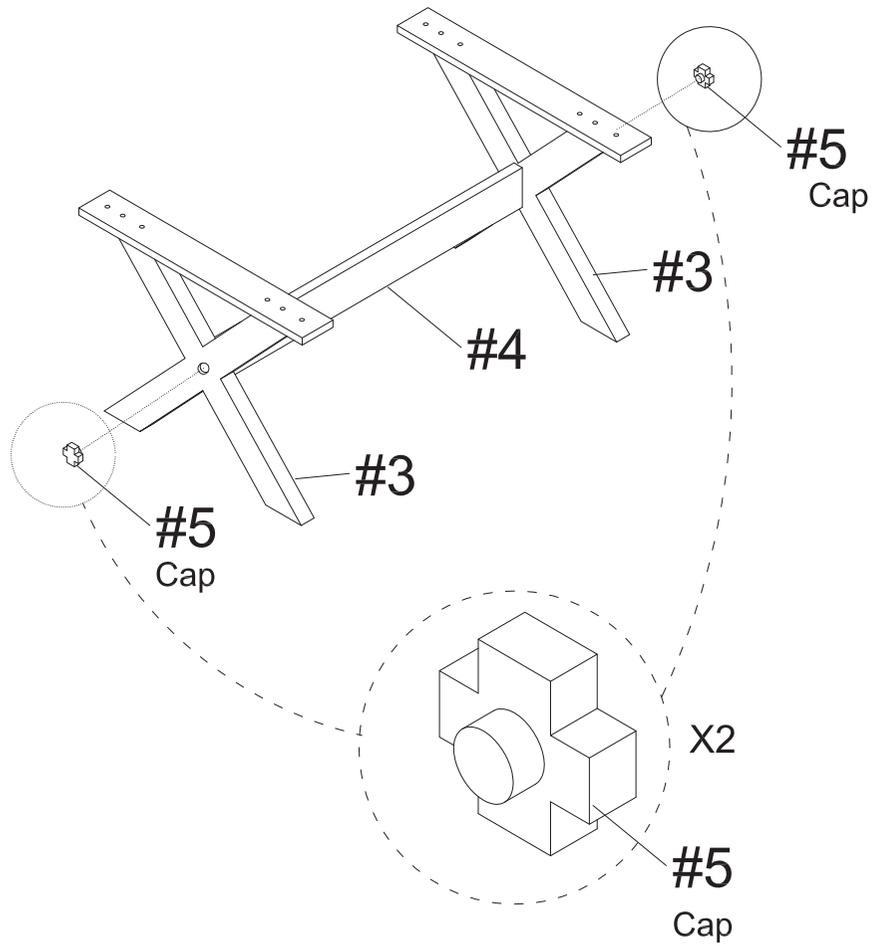
2



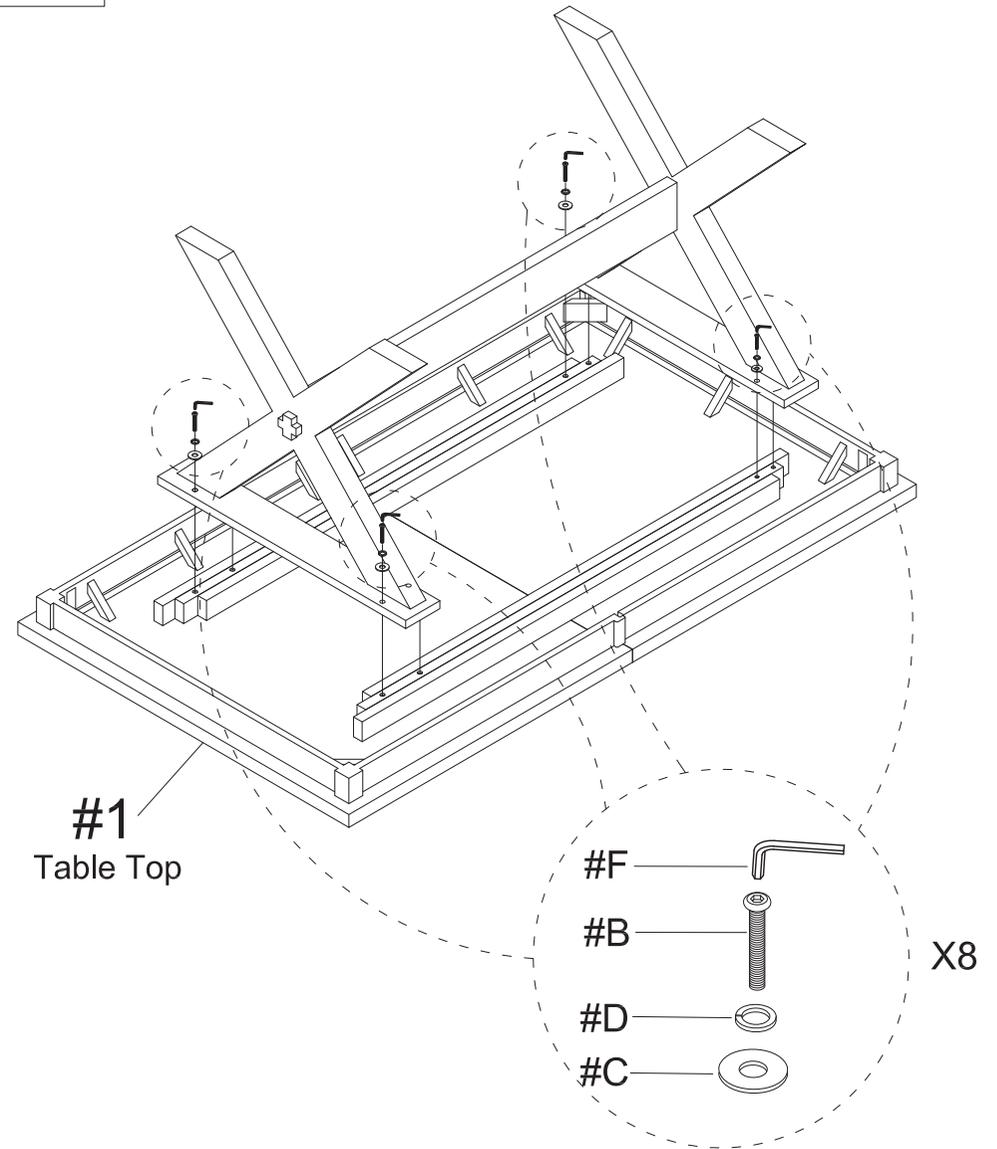
3



4

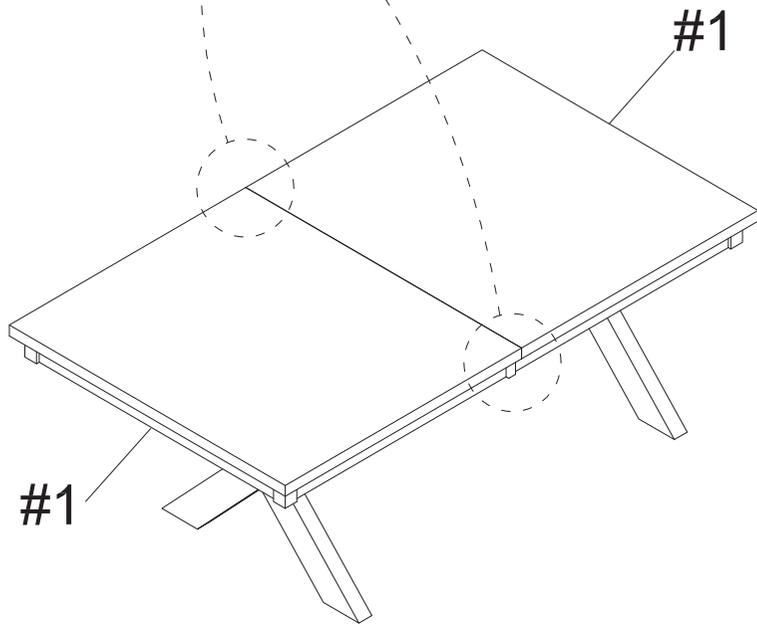
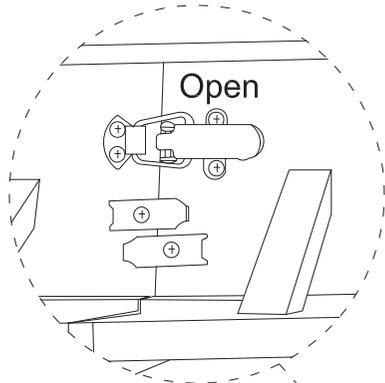


5



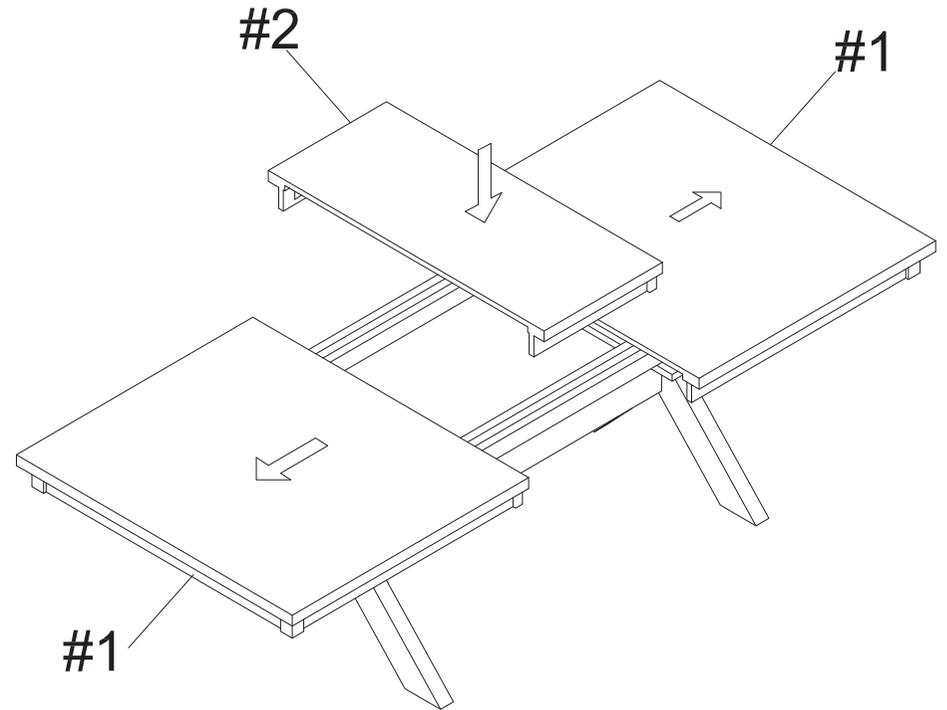
Notice: Place the table top on a carpeted or padded area to protect the surface from damage.

6



7

Table extension leaf



8

