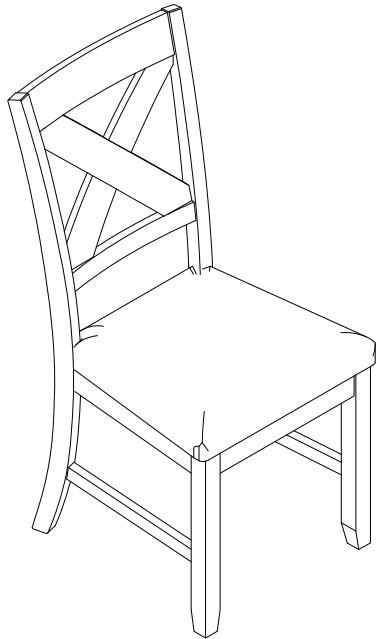




Scan QR code to
view assembly video

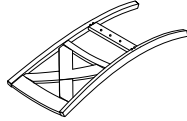
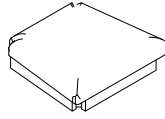
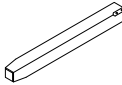
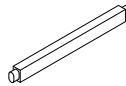
POLLIE DINING SIDE CHAIR



SP-2020-01-C1 / 267679



PART LIST

PART LIST		
#1		Chair Back X1
#2		Seat X1
#3		Front Leg (left&right) X2
#4		Leg Stretcher (left&right) X2

Important safety instructions:

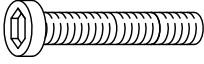
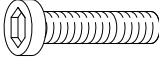
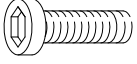
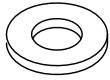

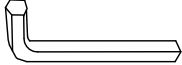

- * Please read carefully all instructions before assembling.
- * For your safety and ease, assembly by two or more adults is recommended.
- * Do not tighten any bolts until all bolts have been started.

Pre-assembly:

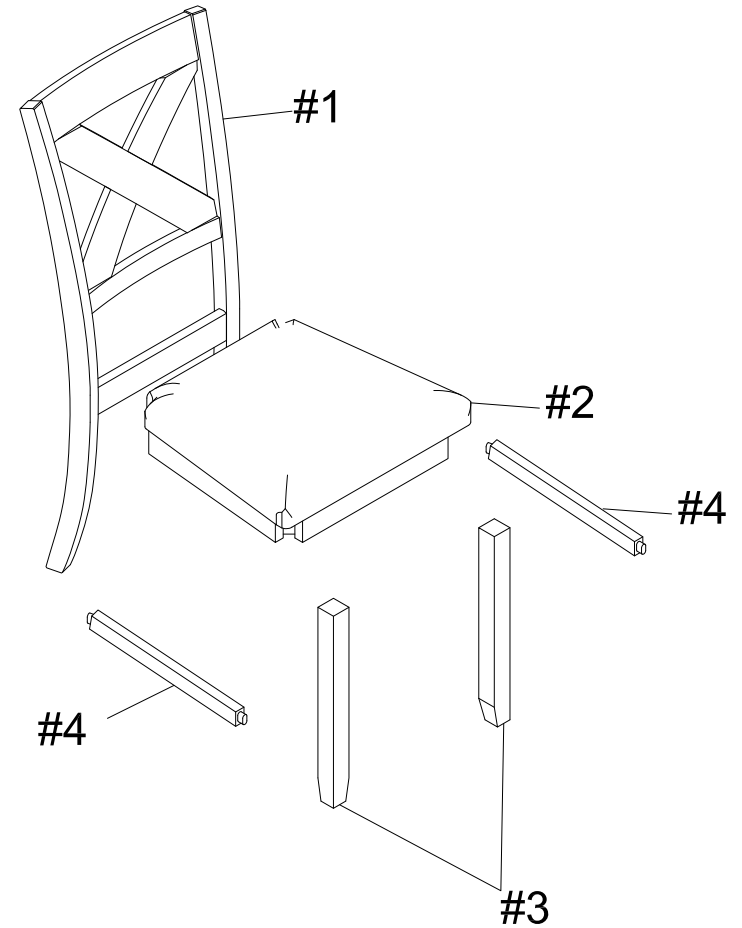
- * Do not discard any content until assembly completed to avoid accidentally discarding small parts or hardware.
- * Take out all parts and hardware from box.

CAUTION : Failure to follow these instructions may cause the bolts to misalign during assembly

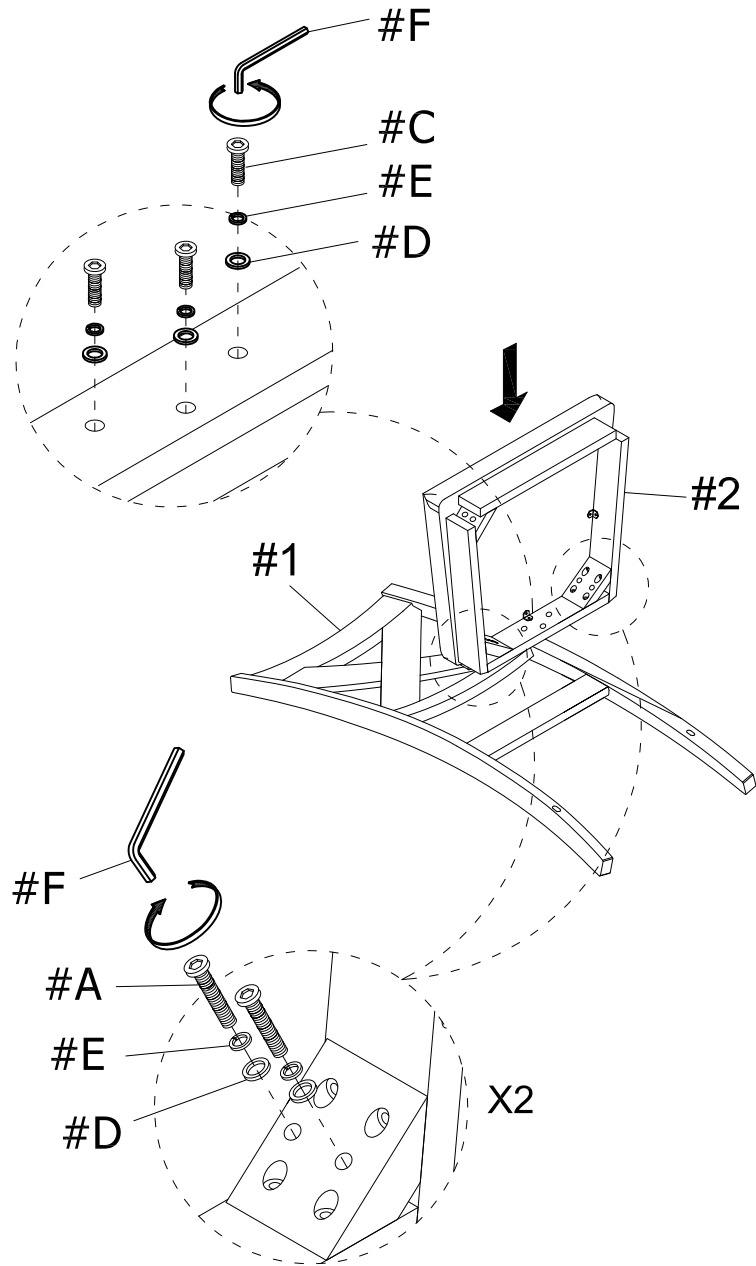
HARDWARE

#A		Blot $\text{Ø}\frac{5}{16}$ "x76mm X4
#B		Blot $\text{Ø}\frac{5}{16}$ "x60mm X4
#C		Blot $\text{Ø}\frac{5}{16}$ "x38mm X3
#D		Flat Washer $\text{Ø}\frac{5}{16}$ " X11
#E		Spring Washer $\text{Ø}\frac{5}{16}$ " X11
#F		Allen Key $\text{Ø}5\text{mm}$ X1
#G		Wood Screw #8*45mm X4

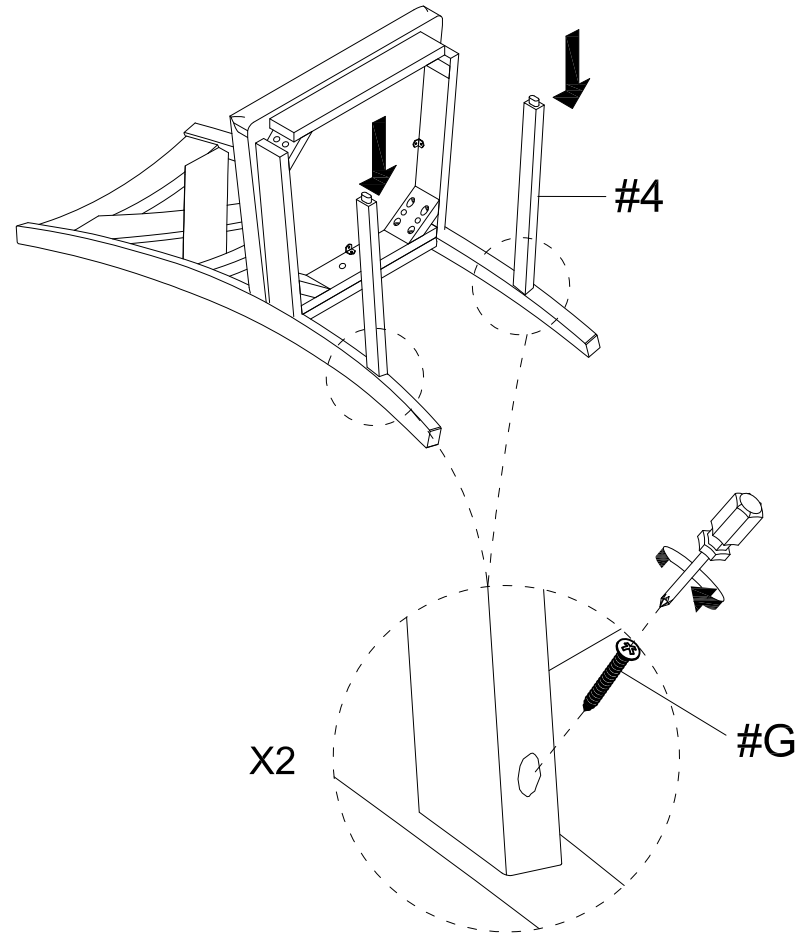
1



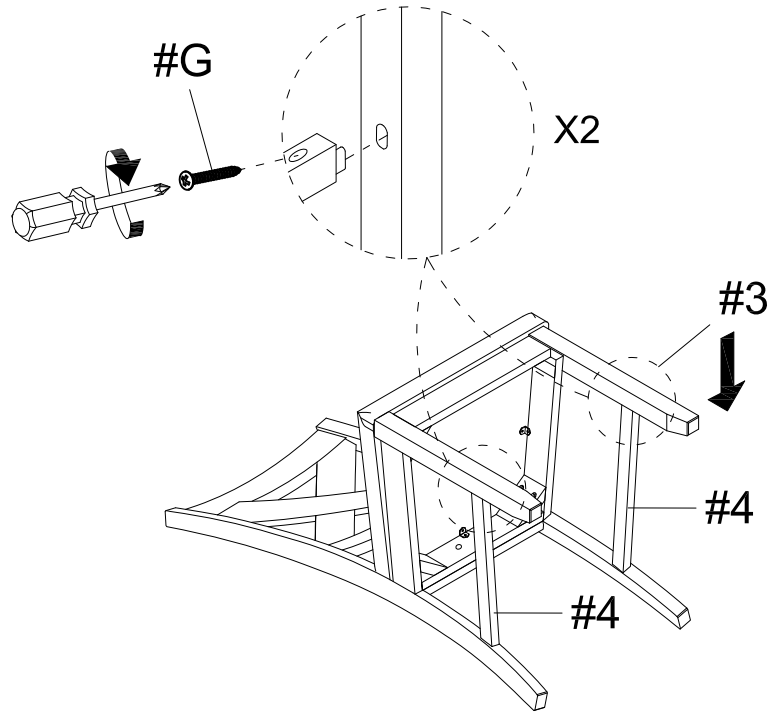
2



3

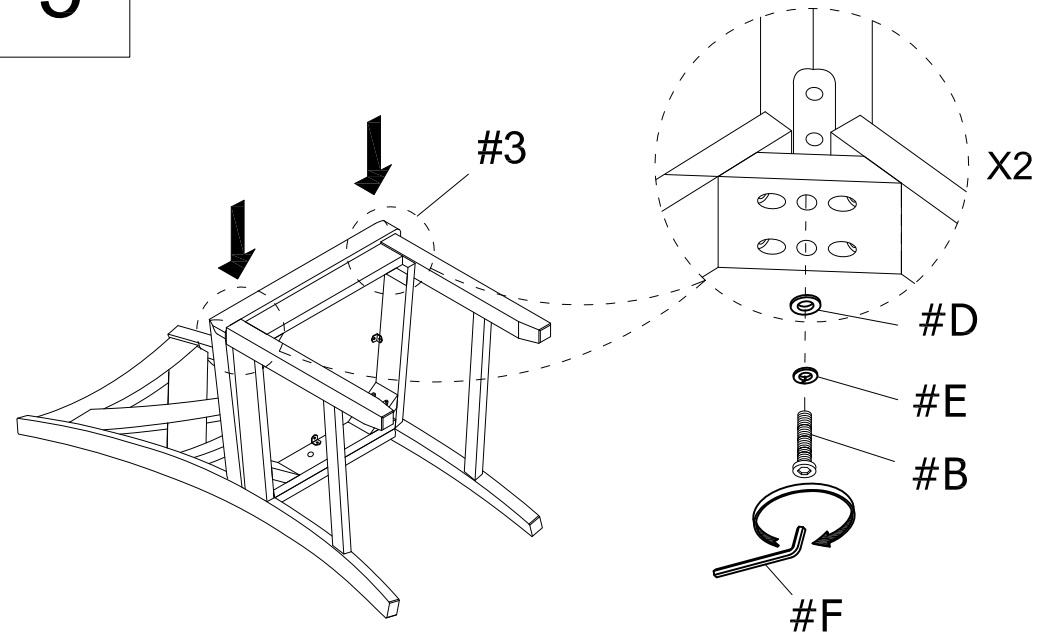


4

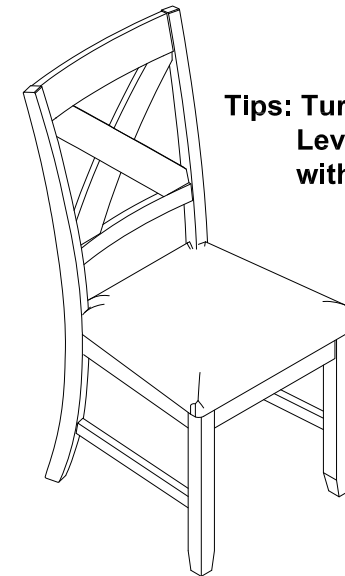


IMPORTANT: PRESS DOWN the Front legs (#3) when securing with side Stretchers (#4) using screws provided (#G) to avoid the gap between legs and stretchers.

5



6

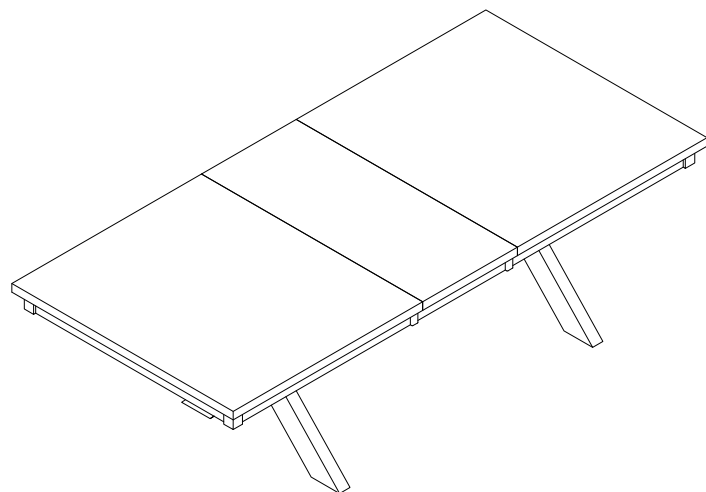


Tips: Turn chair upright on a level surface. Level the chair and tighten all bolts with the Allen Wrench.

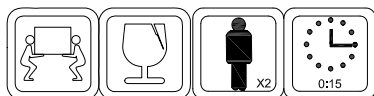


Scan QR code to
view assembly video

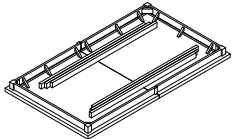
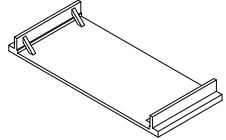
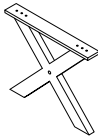
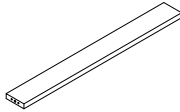

POLLIE EXTENSION DINING TABLE





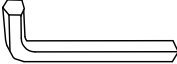
SP-2020-01-D1 / 267682



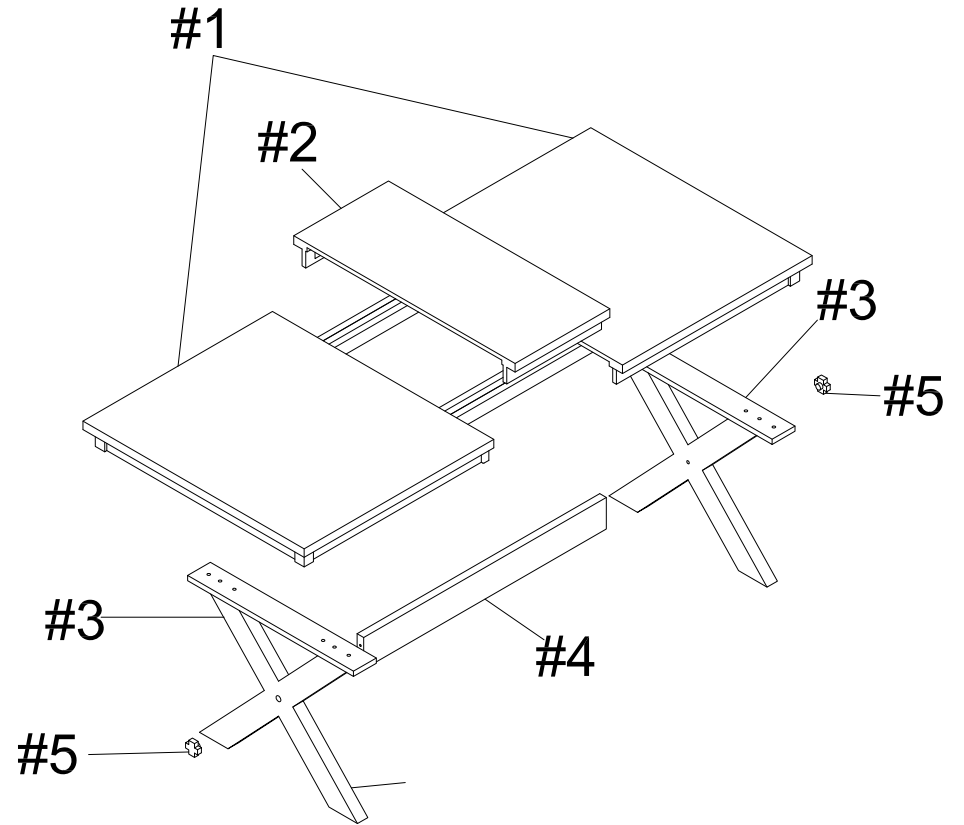
PART LIST

#1		Table Top	X1
#2		Table Leaf	X1
#3		Leg	X2
#4		Center Support	X1
#5		Cap	X2

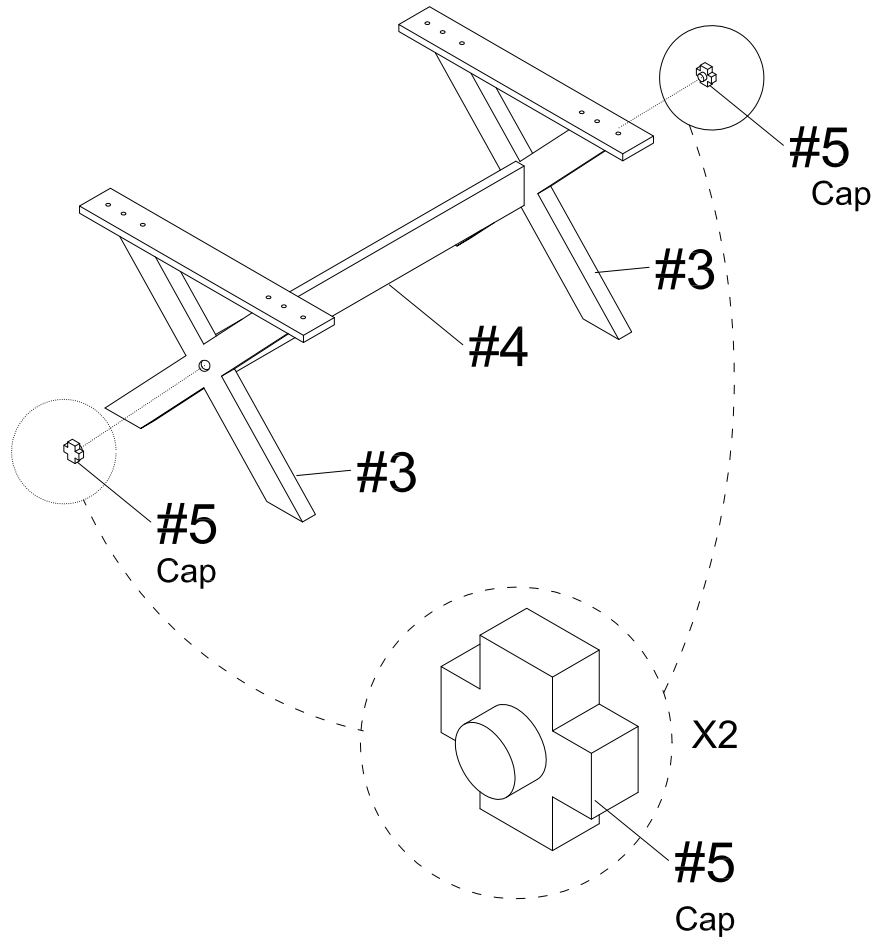
HARDWARE

#A		Blot $\text{\O} \frac{5}{16}$ "x50mm X2
#B		Blot $\text{\O} \frac{5}{16}$ "x35mm X8
#C		Flat Washer $\text{\O} \frac{5}{16}$ " X10
#D		Spring Washer $\text{\O} \frac{5}{16}$ " X10
#E		Wooden Pegs $\text{\O} 8$ x30mm X4
#F		Allen Key $\text{\O} 5$ mm X1

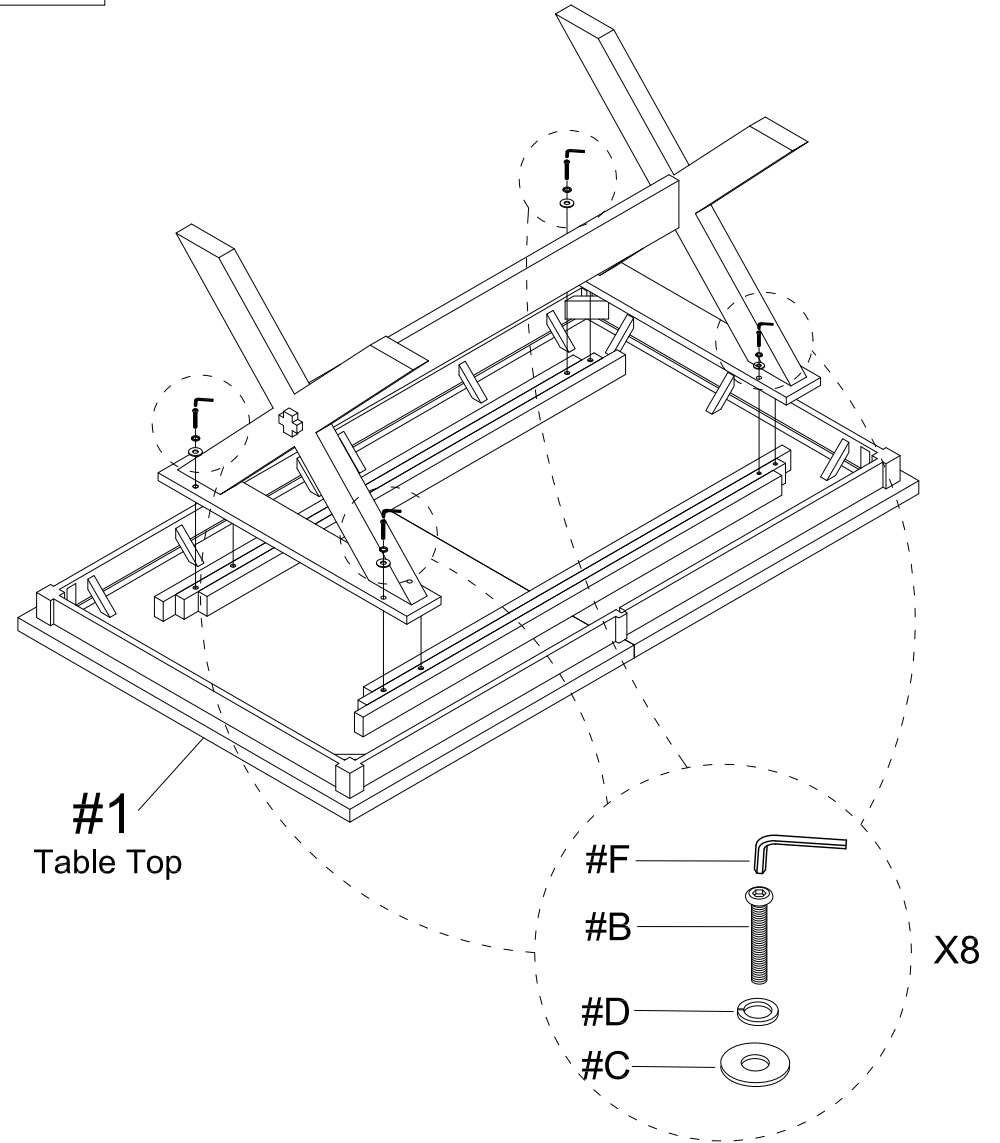
1



4

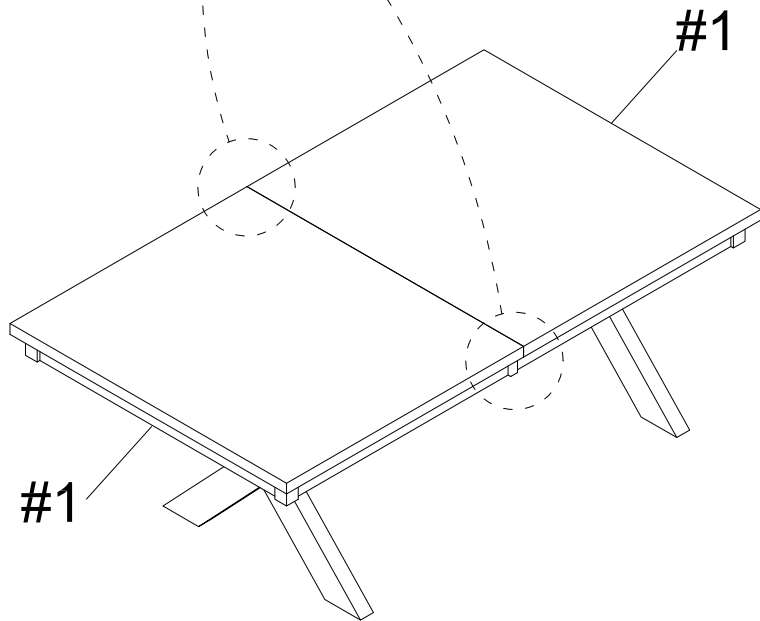
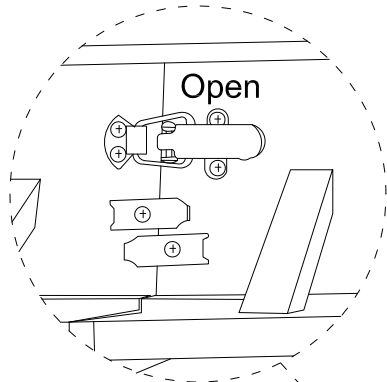


5



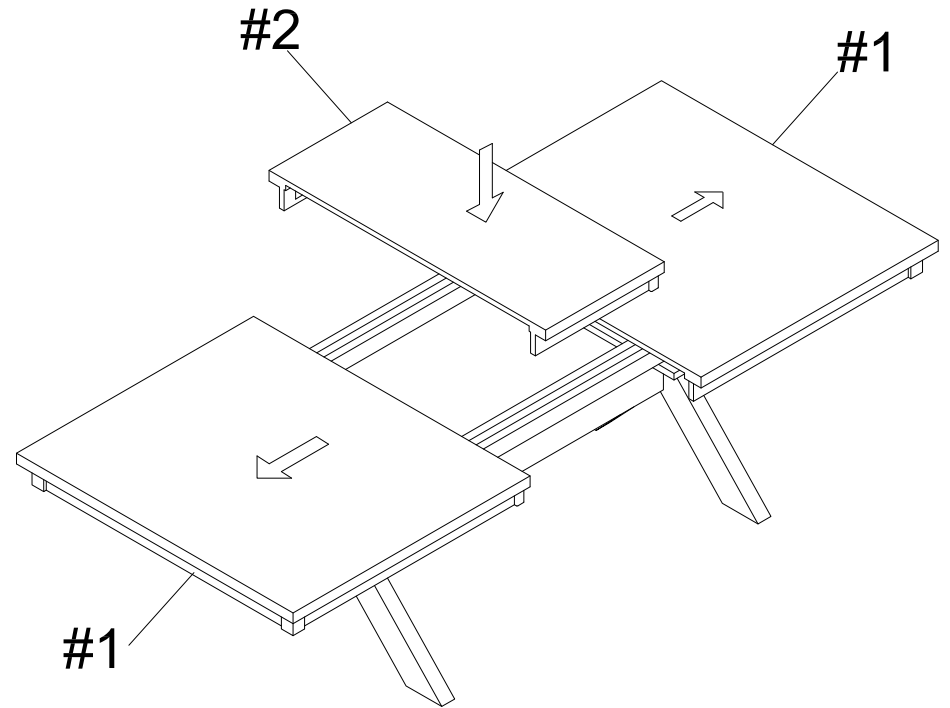
Notice: Place the table top on a carpeted or padded area to protect the surface from damage.

6



7

Table extension leaf



8

