







LIVING SPACES

## MOJAVE OUTDOOR SWIVEL CHAIR


18C351A-W-SV  
267676

## Assembly Instruction

### Parts List:

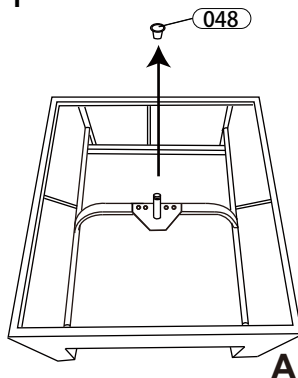
REF	DESCRIPTION	IMAGE	QTY
A	SOFA FRAME		1
B	SOFA BASE		1
C	CUSHION		1
D	BACK PAD		1

### Hardware List:

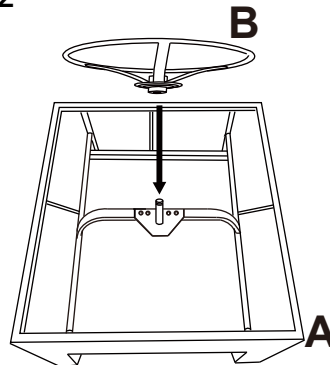
REF	DESCRIPTION	IMAGE	QTY
048	PLASTIC CAP		1

### Diagram:

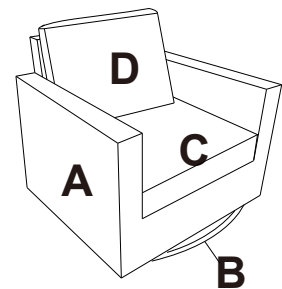
#### Step 1



#### Step 2



#### Step 3



### Assembly Steps:

Tip- Remove protective wrapping and lay all parts on floor. Identify all parts packed in carton against attached parts list to make sure all parts are presented.

Step 1: Place a protective soft material on floor. Lay chair frame (A) upside down on floor, bottom is facing up. Remove the plastic cap(048).

Step 2: Insert the chair frame (A) into the chair base(B) by inserting the shaft of the chair frame directly into the bushing portion of the chair base as shown in diagram. Make sure you have inserted it all the way. If you experience difficulty, insert the shaft into the bushing portion by using a twisting motion as you insert.

Step 3: With the help of a second person, carefully flip the chair onto the floor. Make sure the base is on a flat surface. Put the seat and back cushions on the sofa.

**NOTE: IT IS USER'S RESPONSIBILITY TO MAKE SURE ALL PARTS ARE ASSEMBLED AND TIGHTENED PROPERLY AND SECURELY.**