
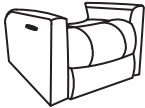
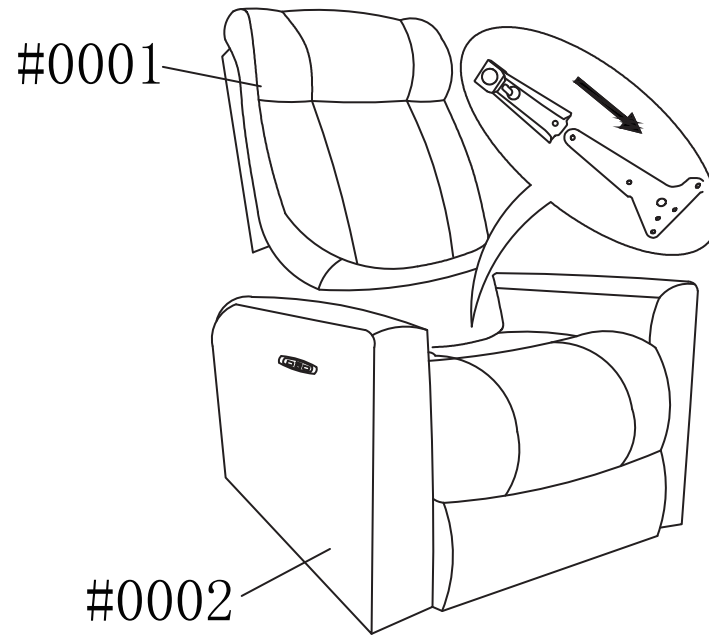




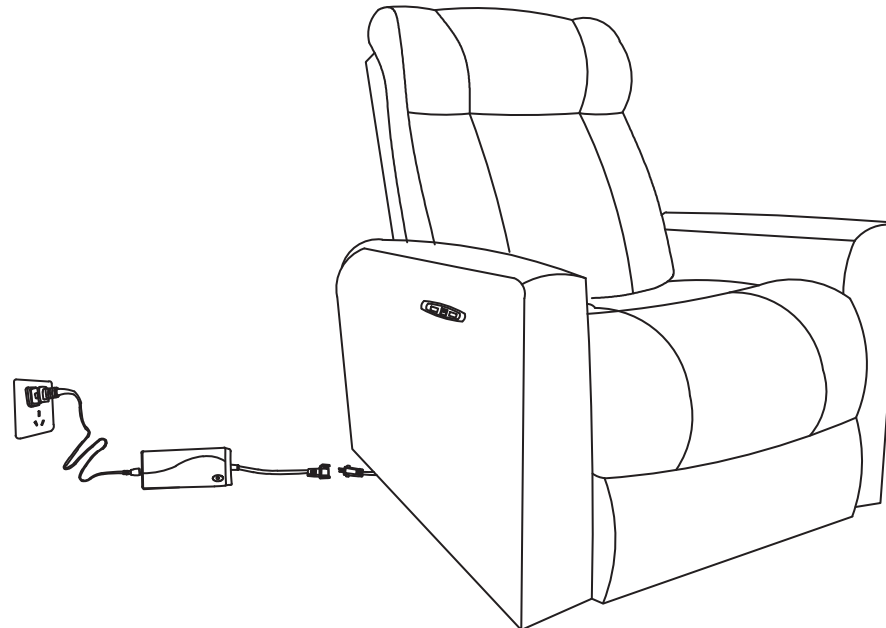
PARTS LIST

SKU#	DESCRIPTION	IMAGE	Q'TY
#0001	BACK		1
#0002	SEAT		1

1



2



NOTE: PO # is located underneath/ at the back side of each item. Please be prepared to provide this # should any claim be necessary.

CAUTION: Item is heavy. Assembly should be performed by two people.