

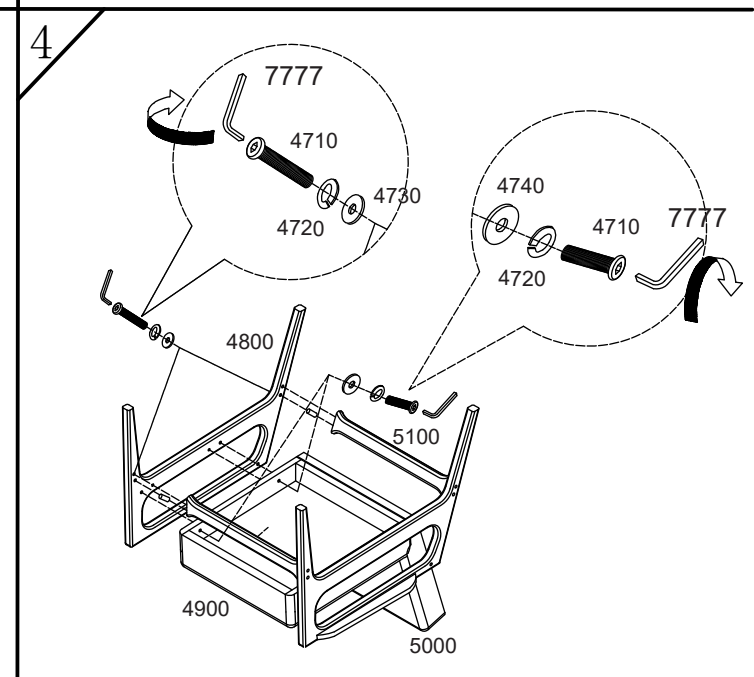
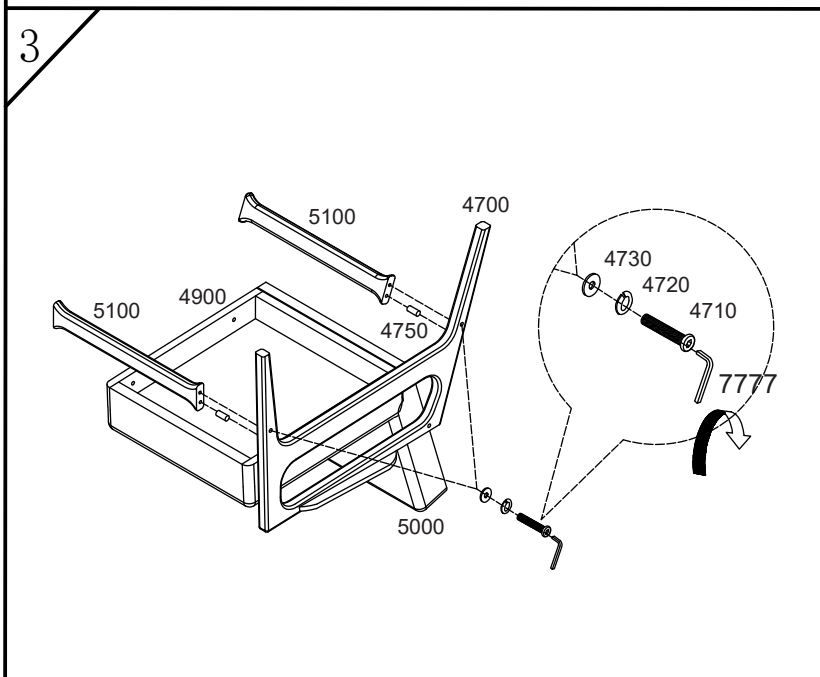
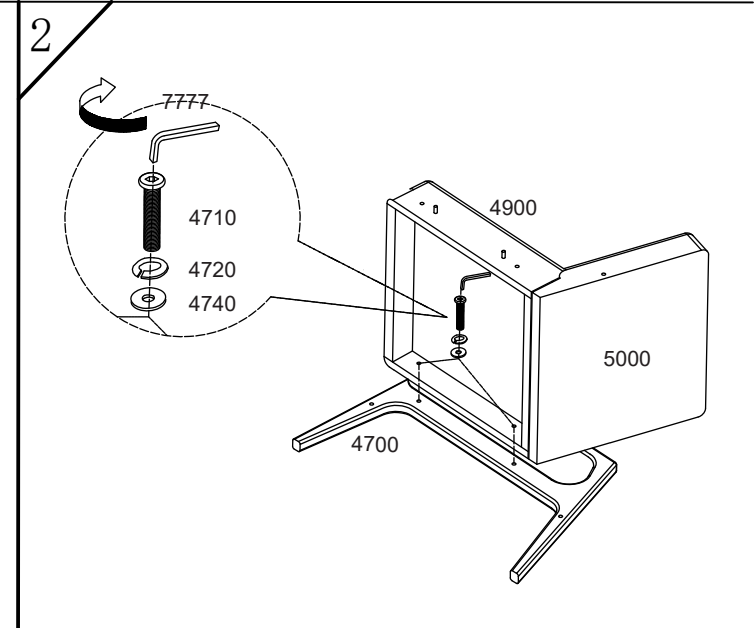
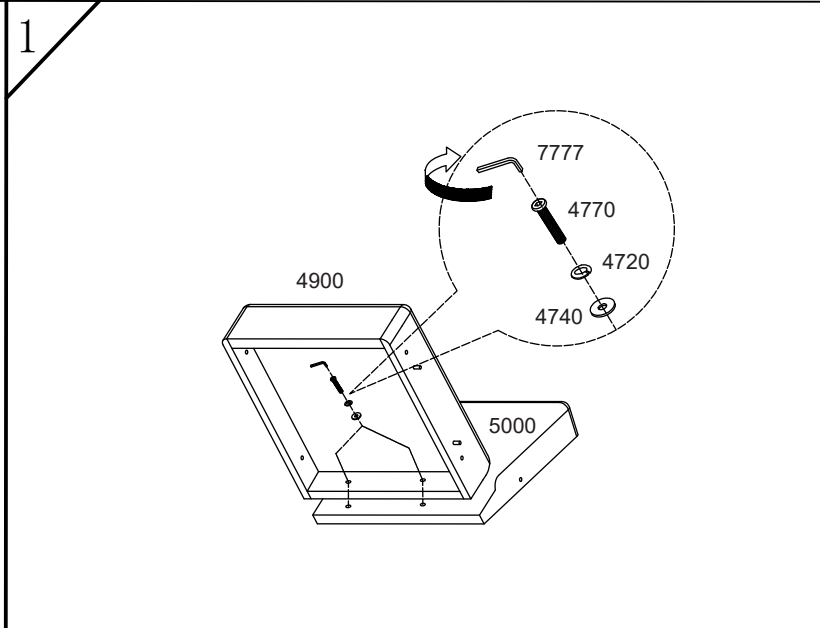


PARTS LIST

| SKU# | DESCRIPTION | IMAGE | QTY |
|------|-------------------|-------|-----|
| 4700 | Left Frame | | 1 |
| 4800 | Right Frame | | 1 |
| 4900 | Seat Cushion | | 1 |
| 5000 | Back Cushion | | 1 |
| 5100 | Front (Back) Rail | | 2 |

HARDWARE LIST

| SKU# | DESCRIPTION | IMAGE | QTY |
|------|-----------------------------|-------|-----|
| 4710 | Bolt Ø1/4"×1-3/4" | | 10 |
| 4720 | Spring Washer Ø1/4"×10mm | | 12 |
| 4730 | Flat Washer Ø1/4"×12mm | | 6 |
| 4740 | Flat Washer Ø1/4"×19mm | | 6 |
| 4750 | Wood Dowel | | 4 |
| 7777 | Allen Wrench | | 1 |
| 4760 | Wood Plug | | 6 |
| 4770 | Bolt Ø1/4"×2-1/4" | | 2 |





DERICK ACCENT CHAIR

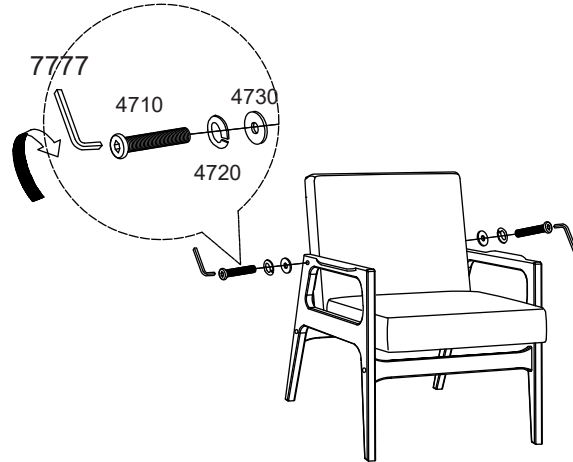
256082/256083

Assembly instructions:

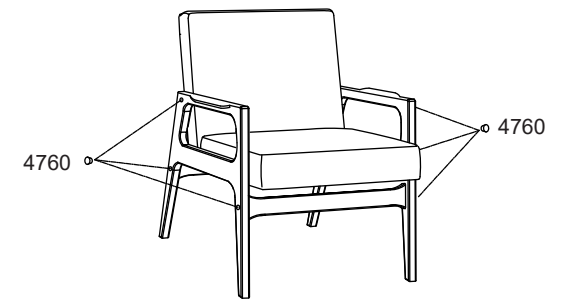
PARTS LIST

| SKU# | DESCRIPTION | IMAGE | QTY |
|------|-------------------|-------|-----|
| 4700 | Left Frame | | 1 |
| 4800 | Right Frame | | 1 |
| 4900 | Seat Cushion | | 1 |
| 5000 | Back Cushion | | 1 |
| 5100 | Front (Back) Rail | | 2 |

5



6



7

HARDWARE LIST

| SKU# | DESCRIPTION | IMAGE | QTY |
|------|-----------------------------|-------|-----|
| 4710 | Bolt Ø1/4"×1-3/4" | | 10 |
| 4720 | Spring Washer Ø1/4"×10mm | | 12 |
| 4730 | Flat Washer Ø1/4"×12mm | | 6 |
| 4740 | Flat Washer Ø1/4"×19mm | | 6 |
| 4750 | Wood Dowel | | 4 |
| 7777 | Allen Wrench | | 1 |
| 4760 | Wood Plug | | 6 |
| 4770 | Bolt Ø1/4"×2-1/4" | | 2 |

