



LIVING SPACES

ASSEMBLY INSTRUCTIONS TWIN AND FULL PANEL BED

LS-MOR81-98

Important: Be sure to check all packing material carefully for small parts which may come loose inside carton during shipment. Separate, identify and count all parts and metal hardware. Compare with parts list and hardware illustrations to be sure all parts are present. If any part(s) are missing or damaged, contact your dealer's customer service department. For efficient and fast service, please indicate the model number and the parts needed.

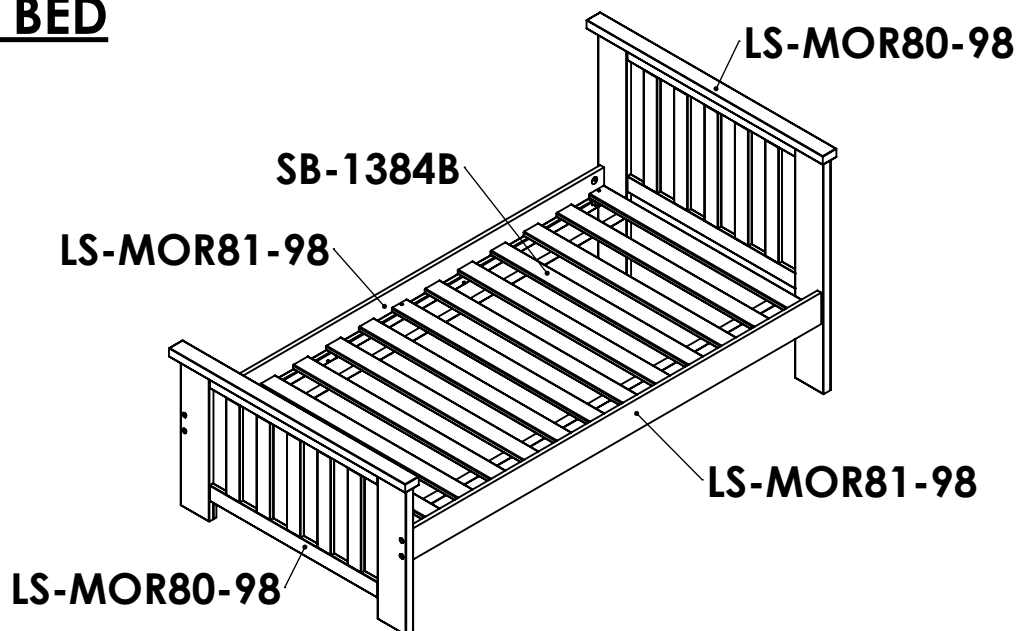
ATTENTION: Some lettered parts listed on the instruction sheets may not be in the parts bag, they may already be assembled.

TOOLS REQUIRED

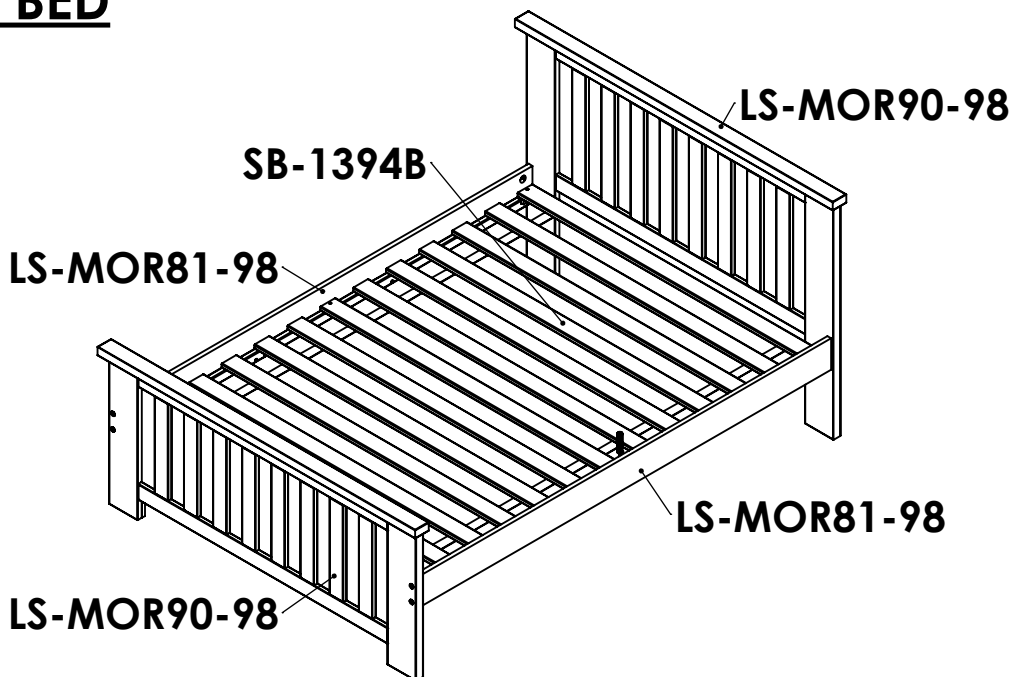
Phillips Screwdriver (Not included)

Allen Key (included)

TWIN BED



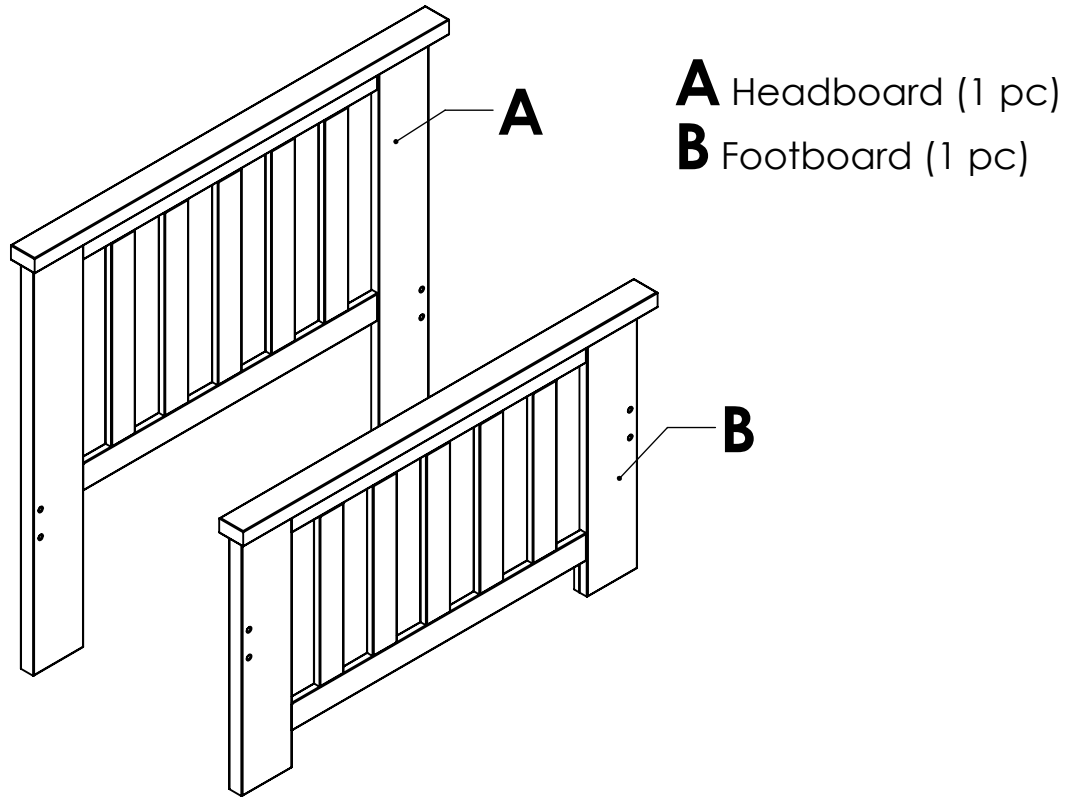
FULL BED



EACH UNIT SOLD SEPARATELY

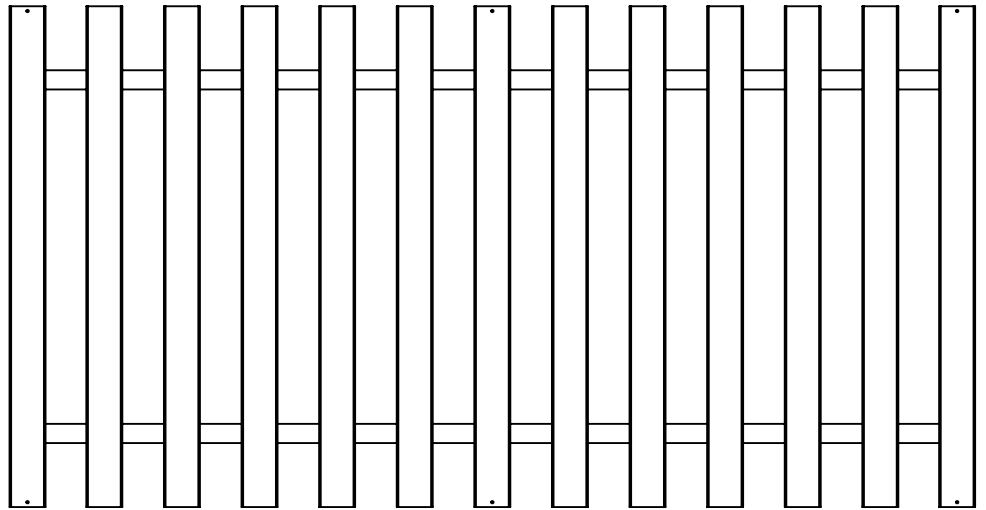
PART LIST (MORGAN GROUP)

CARTON # LS-MOR80-98 TWIN BED.
CARTON # LS-MOR90-98 FULL BED.



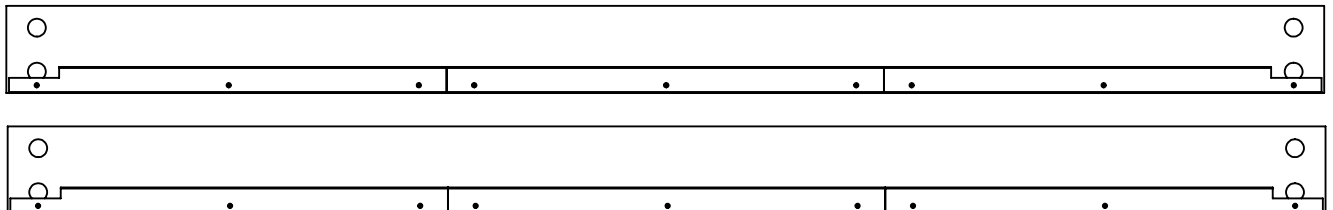
CARTON #SB-1384B TWIN BED.
CARTON #SB-1394B FULL BED.

C SLAT ROLL



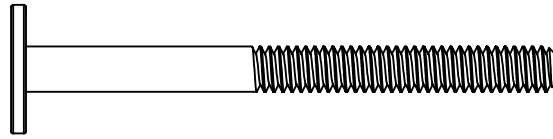
CARTON # LS-MOR81

D RAIL



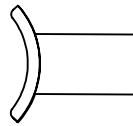
HARDWARE LIST (MORGAN)

E



BOLT JCBB 1/4-20X70MM
Part No. HCPP-70B (8 pcs)

F



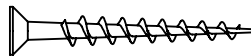
JOINT CONNECTOR 1/4-20X 9/16
Part No. HIN-209 (8 pcs)

G



Allen Key
Part No. HIN-04 (2pcs)

H

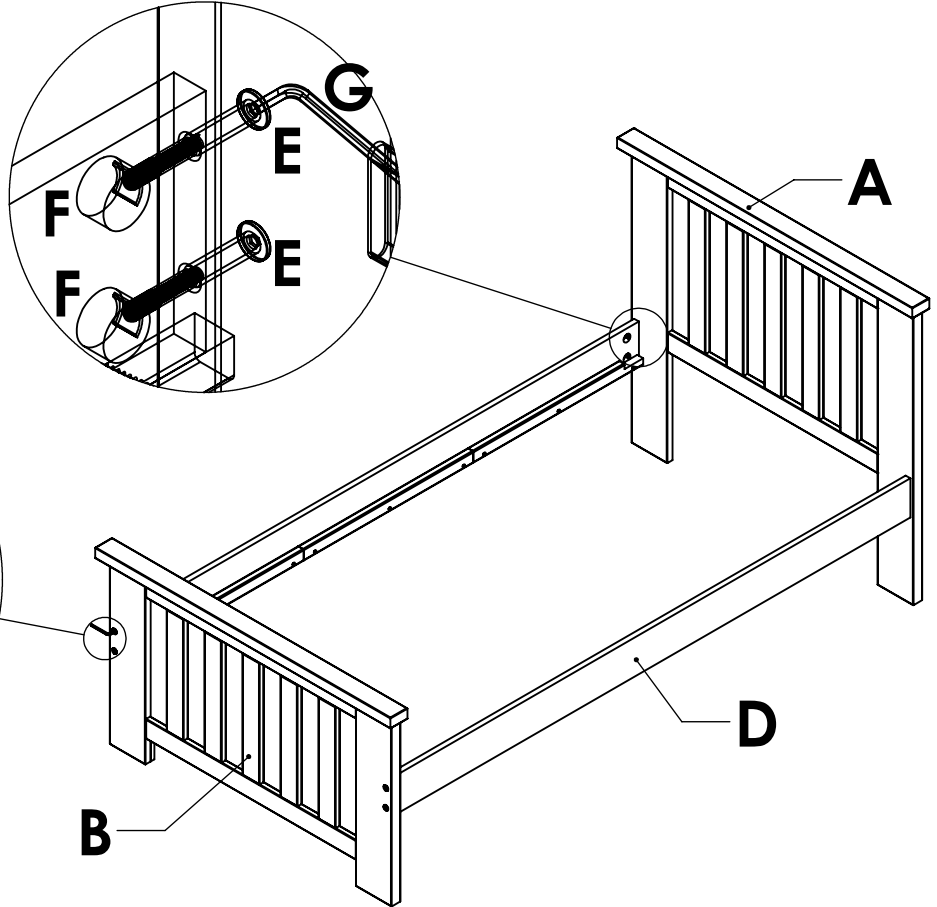
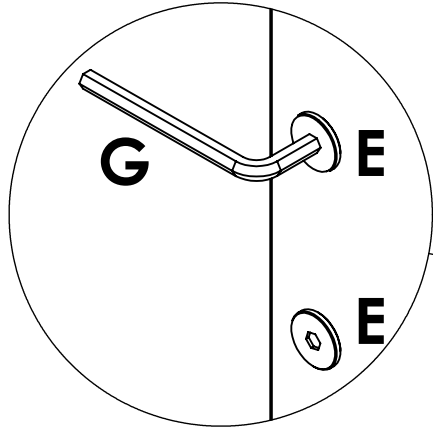


PHILLIPS HEAD SCREW 6 x 1 1/4"
Part No. HCPF-080 (6 pcs)

Step-1

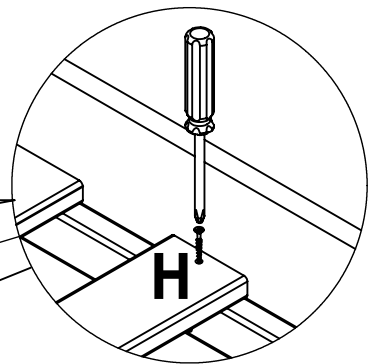
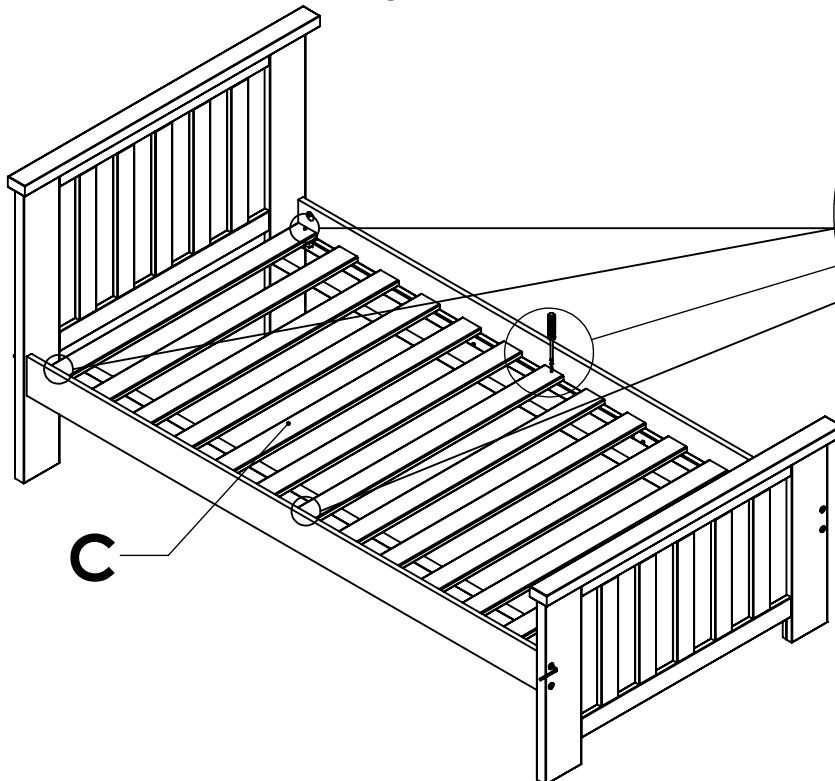
Insert (4) **BOLT (70mm) (E)** into each **HEADBOARD (A)** hole and (4) **Bolt (70mm) (E)** into each **FOOTBOARD (B)** hole. Place (8) **JOINT CONNECTORS(F)** in **RAIL(D)** Holes. Hold the **JOINT CONNECTORS(F)** and tighten until secure with **ALLEN KEY(G)**. See diagram (1).

Do not tighten bolts all the way in until all parts are assembled



Step-2

Carefully place **SLAT ROLL (C)** on **RAILS (D)** and fasten with **SCREW 1 1/4" (H)**, as shown in diagram 2.



Attach with a Phillips Screwdriver