



CAPRI OUTDOOR DAYBED
15C013A-W-3D
253581

Assembly Instruction

Parts List:

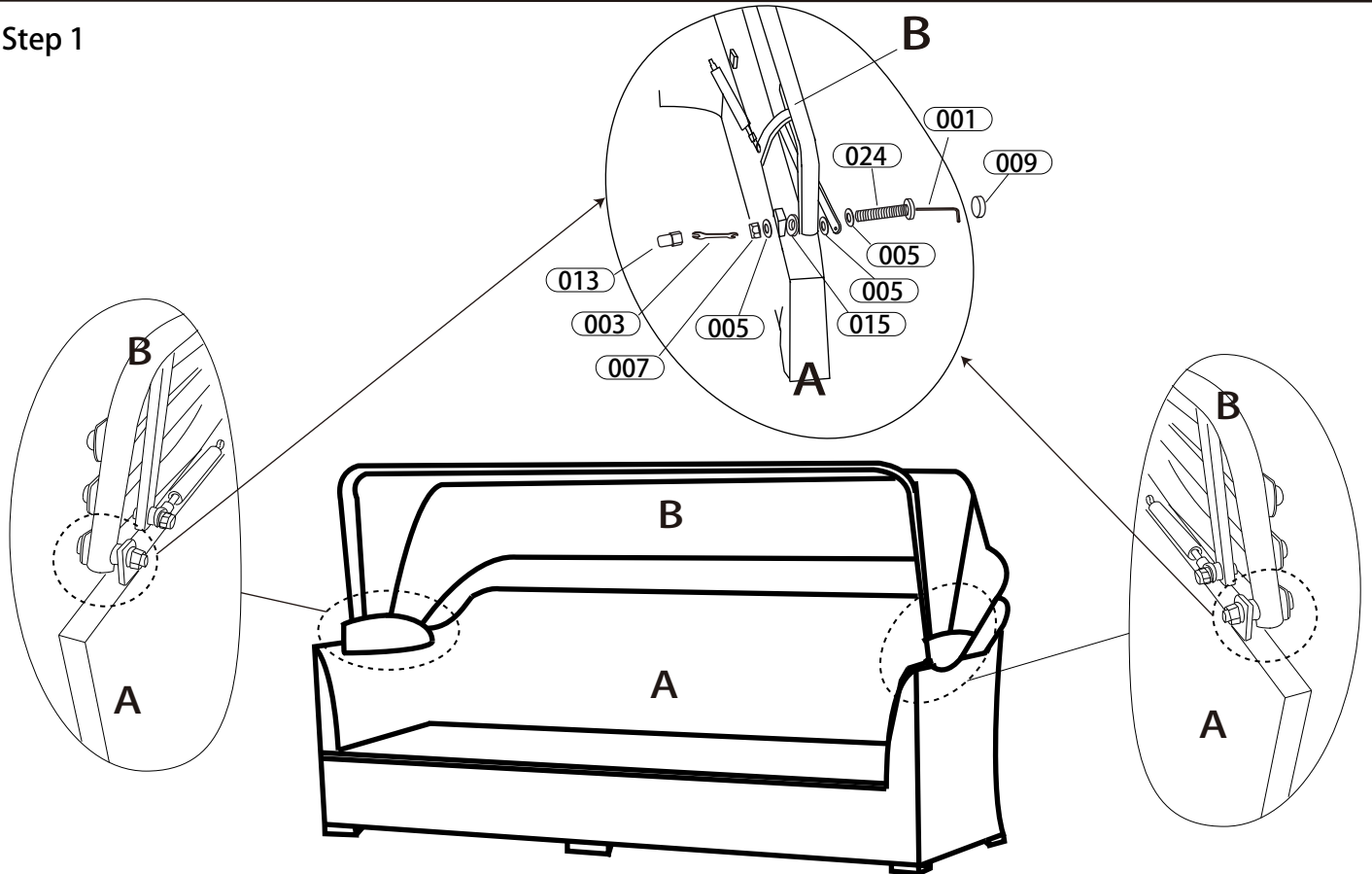
REF	DESCRIPTION	IMAGE	QTY
A	CHAIR BASE		1
B	CHAIR FRAME		1
C	MIDDLE		2
D	OTTOMAN		1
E	SIDE TABLE		1
F	CUSHION		6
G	BACK PAD		5
H	ARMREST PAD		2

Hardware List:

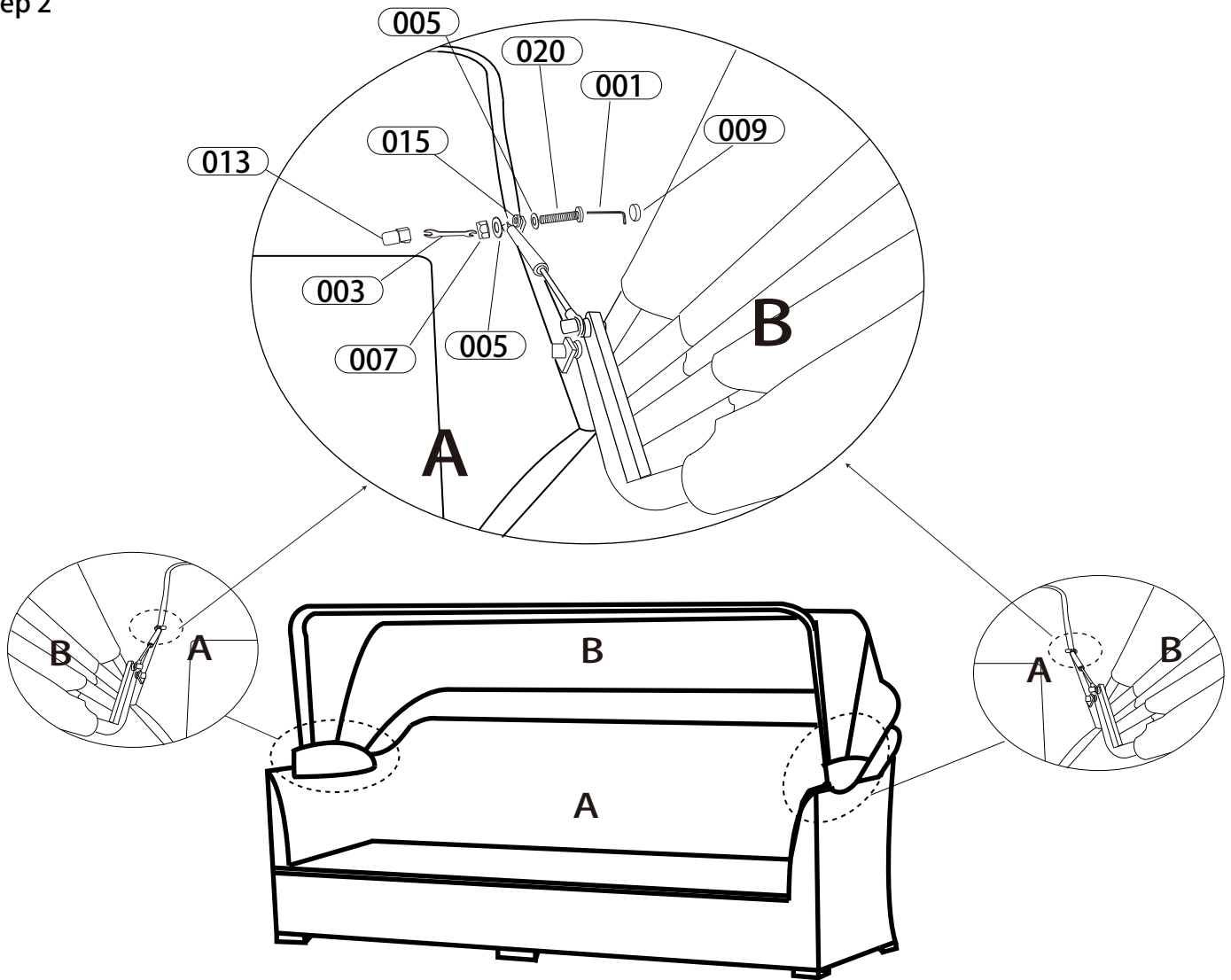
REF	DESCRIPTION	IMAGE	QTY
020	BOLT(M6*25L)		2
024	BOLT(M6*45L)		2
005	WASHER (M6,IDΦ6.5,ODΦ16)		10
007	NUT(M6)		4
015	PE WASHER(T=6mm)		4
009	PLASTIC BOLT CAP (M6)		10
013	PLASTIC NUT CAP (M6)		6
001	ALLEN WRENCH (M6)		1
003	HEX WRENCH		1

Diagram:

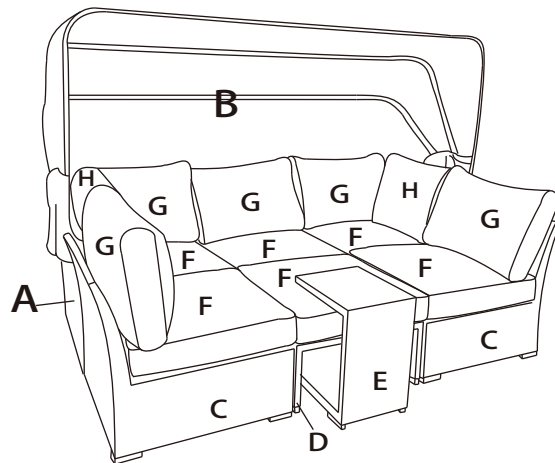
Step 1



Step 2



Step 3



Assembly Steps:

Tip-Remove protective wrapping and lay all parts on floor. Make sure all parts packed in carton against attached parts list to make sure all parts are presented.

Step1:As shown in the figure, place the canopy (B) on the upper end of the base (A), and fix it with screws, nuts and some accessories in a certain order.

Step2:Lift the ceiling rod, as shown in the figure, use screws, nuts and some accessories to fix the air pump on the ceiling to the upper end of the base in a certain order.

Step3:Arrange the products, as shown in the picture, and place the cushion, back cushion and armrest cushion on the sofa.

NOTE1: Do not fully tighten the bolts until the item is fully assembled.

NOTE2: It is user's responsibility to make sure all parts are assembled and tightened properly and securely.